

EASY-LASER[®]

**MEASUREMENT AND ALIGNMENT SYSTEMS
PRODUCT CATALOGUE**

24

INTRODUCTION / DOCUMENTATION	3
MEASUREMENT PROGRAMS	7
SHAFT ALIGNMENT SYSTEMS	12
WIND SYSTEMS	18
SHEAVE/PULLEY ALIGNMENT SYSTEMS	22
DIGITAL PRECISION LEVEL	24
VIBRATION MEASUREMENT TOOL	25
GEOMETRIC MEASUREMENT SYSTEMS	26
DISPLAY UNITS	42
LASER TRANSMITTERS	43
DETECTORS AND OTHER RECEIVERS	45
MEASURING UNITS	47
BRACKETS AND MISCELLANEOUS PRODUCTS	49
SPARE PARTS	70
APPAREL / GIVE AWAYS	74
TECHNICAL SPECIFICATIONS AND DRAWINGS	75
SPECIFICATIONS FOR BATTERIES AND CHARGERS	77
PART NUMBER PAGE LIST	108


SYSTEM	PAGE
XT770 Shaft + GEO	12
XT770 Shaft + Bore	13
XT770 Shaft	14
XT660 Shaft	15
XT550 Shaft Ex/ATEX	16
XT440 Shaft	17
XT660 Shaft SG1 Wind	18
XT660 Shaft WMB Wind	19
Shaft alignment Vestas	20
Shaft alignment Gamesa	21
XT190 BTA	22
D92 BTA	23
XT290 Digital Level	24
XT280 VIB	25
XT980 Sawmill	26
E980 Sawmill	27
E970 Parallelism	28
E960-A Turbine alignment	29
E960-B Turbine alignment	30
XT950 Bore alignment	31
E950-A Bore alignment	32
E950-B Bore alignment	33
E950-C Bore alignment	34
E950-D Bore alignment	35
E930 Extruder	36
E920 Geometric	37
E915 Flange Spin	38
E910 Flange	39

IMPORTANT INFORMATION

Please read the information on page 76 about specific technical limitations and product compatibilities, as well as explanation of specifications in this catalogue. We reserve the right to make modifications of the product design and technical specifications without prior notification.

What the pictures show

System picture. Does only show the main parts of the system, not all items that are included. Always read the Part list for complete system specification.




Easy-Laser® XT770 Shaft+GEO
 Part No: 12-1128 (System with XT20 Laser transmitter)
 Part No: 12-1334 (System with XT22 Laser transmitter)

For installation and maintenance of all types of rotating machine The XT770 Shaft + GEO system has all the programs and functions need to keep your machines up and running. Configured for installation and overhaul of rotating machinery, like e.g. gas compressors. Programs for alignment of horizontal, vertical/flange mounted machines, machine trains and cardan/offset mounted machines* plus EasyTrend for dynamic measurements* are included. Functions for soft foot check, thermal growth compensation and tance check. Flatness program for measurement of foundations and top frames. Twist measurement program for quick base flatness of The very versatile Values program, together with the dot-type laser technology adds functionality for e.g. checking bearing clearance.


XT70 measuring units
 The XT70 units allow for multipoint, continuous sweep and uncoupled sweep measurements. They also support the 360°LIVE move feature.

- Large 20x20 mm [0.79x 0.79"] 2 axis TruePSD detectors.
- Dot-type laser technology for accuracy and versatility.
- Rugged design, IP66/67 approved, featuring wireless technology.

[D] | [E] | [XT]: Indicates which product range the part is compatible with. If no letter is present, the part fits all three ranges.
Note: If there are other compatibility limitations these are mentioned for each product.



Main product picture ¹



Additional pictures ¹

Rotating detector bra
 Part No: 12-1209
 Description: Allows for 360° sw
 Note: -

NOTE! ¹ Be aware that these pictures may show items that are not included for the specific part number.

Learn more about a specific measurement system or application

In our measurement system brochures you can find more extensive technical specifications and more information on the systems and products in this Product overview. Available for download in many different languages from: www.easylaser.com



Easy-Laser® XT770



Easy-Laser® XT660



Easy-Laser® XT550 Ex



Easy-Laser® XT440



Easy-Laser® XT980



Easy-Laser® XT20/XT22



Easy-Laser® XT290



Easy-Laser® XT280



Easy-Laser® XT190



Easy-Laser® E980



Easy-Laser® E970



Easy-Laser® E960



Easy-Laser® E950



Easy-Laser® E930



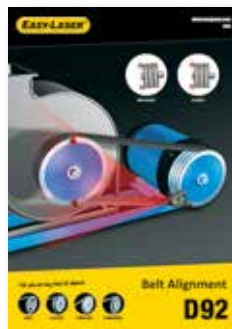
Easy-Laser® E920



Easy-Laser® E910/E915



Easy-Laser® E290



Easy-Laser® D92



STRAIGHTFORWARD BY ALL MEASURES

A reliable business partner

Easy-Laser® is one of the world’s leading manufacturers and suppliers of laser measurement systems for all types of industry. We provide extreme accuracy and precision. But that’s not what sets us apart. Today, when virtually anyone with a decent laser can do “straight”, to get ahead, you need to be a bit more forward-thinking.

Because, in the long run, what really counts is neither the absolute straightness of an individual component nor the precise alignment of shafts. It’s what these measures add up to: Increased productivity and the saving of resources. Those are the things we ultimately deliver. And from that perspective our most important task is to help you make the road leading there as free from bumps and bends as possible.

That means developing user-friendly measurement and alignment systems that are as easy to get your head around, as they are versatile and scalable. It also means shortening delivery times, extending warranties and optimizing training and support.

Moreover, you can always expect us, or any of our partners, to give you an honest opinion on which of our products are crucial to your operations and which you can do without. What really needs to be aligned and what not. So that what we offer you is a solution perfectly aligned with your needs – and your budget.

Regardless of whether you’re a service technician, a purchaser or the CFO of a multinational industrial group, you’ll find Easy-Laser® truly easy to deal with. Or as we like to put it – straightforward by all measures.

Worldwide distribution network

Easy-Laser® has representatives in over 70 countries. You find your local Easy-Laser retailer at our web page www.easylaser.com > contact

Long warranty

The systems come with a 3 year limited warranty. Learn more at easylaser.com/en-us/support/warranty. The quality system of the company is ISO9001 approved.



Our service concept

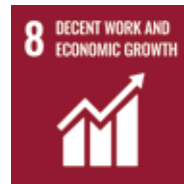
Our service department usually takes care of servicing or calibration within seven working days. All this makes Easy-Laser® a safer working partner for your operation. As an extra service, we provide a 48 hour express service for shaft alignment systems when accidents occur and time is of the essence. Contact us for further information about terms and conditions.



SUSTAINABILITY

– A RESPONSIBILITY FOR ALL OF US

Easy-Laser works actively with sustainability issues and supports the UN Global Compact's core principles* on the environment, anti-corruption, human rights and labour conditions. This permeates our entire business, every day.



Our working environment

It is important for us to be an inclusive and open workplace, where people enjoy working and want to stay for a long time. The relationship between us as an employer and our employees should be characterised by openness, respect and empowerment.

We embrace diversity.

We offer flexibility in terms of working hours and choice of workplace.

We work systematically with work environment issues.

We prevent health problems through annual health checks and wellness activities.

We measure satisfaction through a weekly staff survey.

Our products

By using Easy-Laser products, our customers can run a more sustainable business; a properly set-up machine will not break down prematurely and will not use more energy than necessary. But what about the environmental impact of our own products?

We strive to use sustainable materials in our products and for them to have a long service life.

We offer repair, calibration and maintenance of our products as close to the customer as possible.

Our operations

We strive to continually reduce the environmental impact of our own operations, large and small.

We recycle as much as possible, both from our production and our other activities.

We use carbon footprint compensated transports.

We use only fossil-free electricity.

Our social responsibility

We take responsibility in our local community but also globally through our cooperation with suppliers and distributors.

Both distributors and suppliers must meet the requirements set out in our Code of Conduct.

We will be good neighbours and seize opportunities to strengthen the communities in which we operate.

Short-term profitability shall not take precedence over long-term sustainability.

* <https://www.unglobalcompact.org/what-is-gc/mission/principles>

GENERATION XT

A declaration of independence



All XT programs in one free app

All XT measurement programs in one straightforward application available for free. Functionality for iOS, Android and Easy-Laser® XT display units.



No lock-ins

Buy with or without the user-friendly, shockproof and waterproof industrial grade Easy-Laser® XT12 display unit. Available with or without IR camera.



Maximum flexibility and trainability!

Purchase multiple systems with various capabilities, train once! The training costs are minimized significantly since the app interface and basic functionality is identical for all systems.



Share files

Share via email directly from your display unit.



Built-in help

Searchable Users Manual which opens the relevant chapter depending where in the process you are.



Multi-lingual

The XT Alignment App is available in multiple languages: en / de / sv / es / pt / ru / ja / ko / zh / it / fr / pl / fi / tr

- XT980**
- XT950**
- XT770**
- XT660**
- XT550**
- XT440**
- XT290**
- XT280**
- XT190**
- XT22**
- XT20**
- XT12**



GET YOUR EASY-LASER® XT12 WITH THERMAL CAMERA!





Power up with Easy-Laser PLUS™

Easy-Laser PLUS™ is our cloud solution where you:

- Collaborate with your maintenance team on job assignments.
- Collect all your team’s measurement data in one place for quick overview and analysis.
- Copy your measurement data to a new device if your tablet is lost or damaged.
- Restore accidentally deleted files on your tablet.
- Receive information about the latest software updates.

This is just the beginning. Easy-Laser PLUS™ will offer more possibilities that complement your measuring instrument and make it even more powerful.

For Easy-Laser XT systems

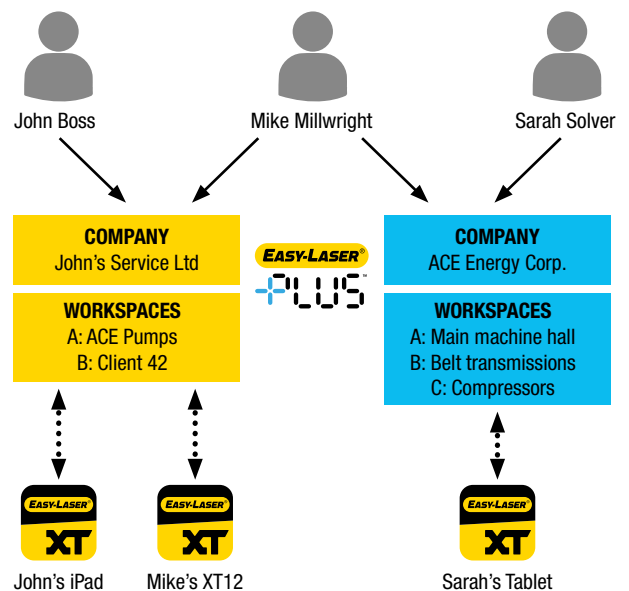
Easy-Laser PLUS™ works with the XT app on third party tablets/smartphones, and with our XT12 or XT11 rev2 tablets. In your account you pair your device/device, making the data instantly available in the system everytime wifi is available (or 4G/5G if applicable). You access Easy-Laser PLUS™ from your web browser. All data are securely transferred with SSL/TLS encryption. The data is only accessible for those who have the right user level. At introduction the secure servers are located in the EU.

Get it now!

To start a subscription, visit easylaser.plus and register your account in a few easy steps. It is only after the initial free trial period that you need to connect a credit card to pay the monthly fee to be able to continue using the services. You will then also be able to select from different subscription plans. At introduction, the free trial period ends 31 August 2024. After that, the free trial period will be 90 days for new accounts. You can learn more about User agreements and Data protection on easylaser.com/plus.

How does it work?

In Easy-Laser PLUS™ you organize your data in “workspaces”, in a way that makes most sense for you and your team. For example a project, team, customer or machinery type. Once you have created your workspace, you can start inviting team members.



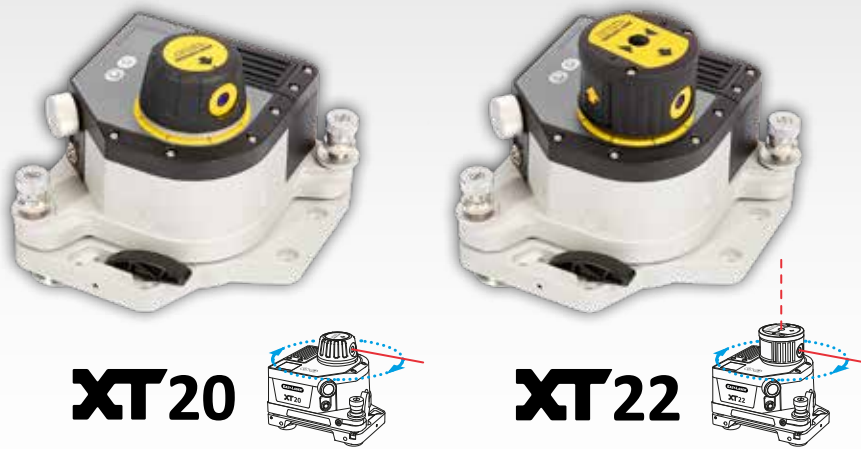
Above is an example of setups/workflows with Easy-Laser PLUS™.

- The organization (your company account) controls user access.
- You set different user roles (Administrator, Contributor or Viewer).
- Users can access one or more account.
- Each XT app can be paired with one account.

You pair your devices (or XT apps, that is), making them instantly available in Easy-Laser PLUS™.

NOTE: Requires XT App ver 9.0 or higher.

The most user-friendly precision laser transmitters ever designed!



XT20

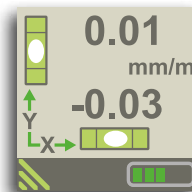
XT22

Two models are available

Both transmitters can be used for flatness and straightness measurement. In addition, the XT22 can direct the laser beam at 90 degrees to the laser plane, which means you can solve virtually all types of geometric measurement jobs. The XT22 also has a higher technical specification for straightness thanks to fiber laser technology, and can take measurements at distances up to 40 m. The XT20 can take measurements at distances up to 20 m, but is also IP55 rated water and dust proof. Find out more in the technical specifications section at the end of this catalogue.

New technology improves reliability

We have installed electronic precision vials in the XT transmitters. This gives the advantage of faster feedback when levelling and less risk of errors during calibration, because all users see the same angular value (compared with reading spirit levels). The laser transmitters are wirelessly connected to the XT Alignment app. In this way, the user can be guided during calibration and the measurement procedure. In the event of temperature changes, vibrations or impacts that can affect the measurement result negatively, the app gives a warning during measurement. Data about the transmitter and measurement environment can be downloaded together with the report. This all provides greater reliability and traceability for your measurement jobs.



Functions for easier use

The rotating head is completely stable and retains its position during measurement. At the same time, it is easy to set the pointing direction of the laser beam to hit the detector, even at distances up to 40 m. We guarantee that this will be very much appreciated by users out in the field. All operation is also managed without the need to lock/unlock rotation, which facilitates use considerably. Just like Easy-Laser's previous laser transmitter, the new XT20/XT22 can be mounted and positioned in many different ways: with integrated super magnets, on rods to be height adjustable, on stands and magnetic feet etc. We know that this is an important factor in practice to combat all those situations the user faces in reality.

Developed for use with the XT Alignment app

The XT20 and XT22 are used with the Values, Basic Flatness and Straightness programs in the XT Alignment app. The laser transmitters can be purchased separately (as a kit with charger and bracket) but are also included in complete systems, such as the XT770 GEO. The XT70-M device can be used as a detector. They can also be used with E series detectors. Note, however, that the XT Alignment app is required to calibrate the electronic precision vials, and other things in the design of the XT transmitters differ from previous products. They can therefore not be exchanged straight off. Ask your local distributor before purchase.



The Straightness program.



The program for basic flatness.

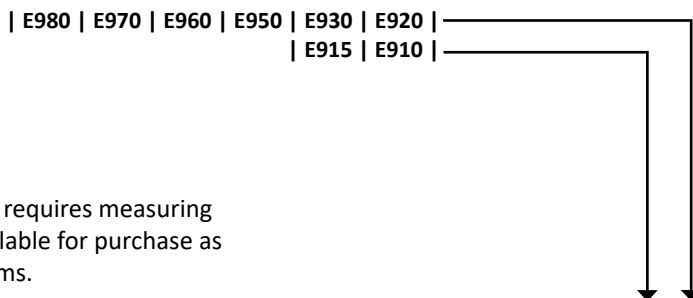


Calibrating the electronic precision levels is super easy with the step-by-step guidance provided by the software.



The built-in sensors warns on the display on events which can affect the measurement reliability.

E



Please note that the measurement programs which are greyed out requires measuring units for shaft alignment to be used. These units are no longer available for purchase as new ones, but existing units can of course be used with the programs.

	HORIZONTAL 9-12-3		●
	SOFT FOOT		●
	EASYTURN™		●
	MULTIPOINT HORIZONTAL SHAFT		●
	VERTICAL/FLANGE MOUNTED		●
	CARDAN		●
	MACHINE TRAIN		●
	OFFSET AND ANGLE		●
	VALUES (Digital Dial Indicator)	●	●
	BELT TRANSMISSION ALIGNMENT		●
	STRAIGHTNESS 1-point		●
	STRAIGHTNESS 2-point (Centre of Circle)		●
	STRAIGHTNESS 4-point		●
	STRAIGHTNESS Multipoint		●
	STRAIGHTNESS 3-point (Half circle)		●
	ROUNDNESS/OVALITY MEASUREMENT		●
	SQUARENESS		●
	FLATNESS		●
	TWIST		●
	FLANGE FLATNESS	●	●
	FLANGE PARALLELISM	●	●
	PARALLELISM		●

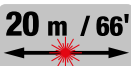


COMPLETE SYSTEMS

Note: Display unit XT12 not included, but added separately to the system.



Note: Laser transmitter XT20 pictured as example above.



Easy-Laser® XT770 Shaft+GEO

Part No: 12-1128 (System with XT20 Laser transmitter)

Part No: 12-1334 (System with XT22 Laser transmitter)

For installation and maintenance of all types of rotating machinery

The XT770 Shaft + GEO system has all the programs and functions you need to keep your machines up and running. Configured for installation and overhaul of rotating machinery, like e.g. gas compressors. Programs for alignment of horizontal, vertical/flange mounted machines, machine trains and cardan/offset mounted machines* plus EasyTrend for dynamic measurements* are included.

Functions for soft foot check, thermal growth compensation and tolerance check. Flatness program for measurement of foundations and top frames. Twist measurement program for quick base flatness check. The very versatile Values program, together with the dot-type laser technology adds functionality for e.g. checking bearing clearance.

XT70 measuring units

The XT70 units allow for multipoint, continuous sweep and uncoupled sweep measurements. They also support the 360°LIVE move feature.

- Large 20x20 mm [0.79x 0.79"] 2 axis TruePSD detectors.
- Dot-type laser technology for accuracy and versatility.
- Rugged design, IP66/67 approved, featuring wireless technology.
- Built-in OLED display shows battery status and the angular value of the unit for easy positioning.
- Integrated rechargeable battery, operating time 24 h.

Multi-platform alignment system

The XT Alignment App runs on your iOS and Android unit¹. You can also choose to add our ergonomic and rugged, IP66/67 approved shock proof Easy-Laser® XT12 display unit. Choose it with or without IR camera.

Geometric measurements

Includes laser transmitter XT20 or XT22, which provides geometrical measurements with the highest reliability and precision.

For bore alignment, please see Part No. 12-1354 and 12-1355.



The XT770 Shaft + GEO system contains:

- 12-1272 (1) Laser transmitter XT20
- 12-1273 (1) Laser transmitter XT22
- 12-1275 1 Multi-bracket for XT laser transmitter
- 12-1045 1 Measuring unit XT70-M
- 12-1046 1 Measuring unit XT70-S
- 12-0963 2 Shaft bracket with chain and rods
- 12-1008 2 Offset bracket for XT-series
- 12-0013 1 Magnet base
- 12-1133 1 Magnet base with turnable head
- 12-1161 1 Set of Rods 4x75 mm
- 12-0987 2 Set of rods (4x120 mm)
- 12-1060 1 Extension chain (2x900 mm)
- 03-0707 1 Measuring tape 5 m
- 03-0967 1 Hexagon wrench set
- 03-1256 1 Battery charger (100–240 V AC)
- 12-0989 1 DC split cable for charging
- 12-0751 1 DC to USB adapter, for charging
- 05-0913 1 Quick manual (Note: Refers to English manual)
- 03-0878 1 Cleaning cloth for optics
- 03-0914 1 USB memory stick with documentation
- 04-0307 1 Set of QR code stickers
- 12-1132 1 Carrying case Large GEO, with wheels
WxHxD: 580x460x295 mm [22.8x18.1x11.6"]
Weight: 16.0 kg [35.3 lbs] (with XT20)
Weight: 16.2 kg [35.7 lbs] (with XT22)

(1) = Included depending on system Part No.

Laser transmitter XT20 and XT22

Learn about the differences at page 9, and in the Technical specifications section at the end of this catalogue.



Add display unit XT12:

12-1292 1 XT12 with IR Camera

12-1291 1 XT12



Both are delivered with shoulder strap for display unit, Part No 12-0997.

Weight: 1490 g [52.5 oz]

Examples of accessories for XT770:

- 12-1151 1 Cardan bracket kit
- 12-1130 1 Dynamic measurement brackets (complete kit)
- 12-1147 1 Magnetic bracket for XT-series
- 12-1012 1 Thin shaft bracket for XT-series
- 12-1010 1 Sliding bracket for XT-series

XT Laser transmitter Upgrade Kits for older XT770 systems:

These kits are for upgrading of older versions of XT770. The interior of the included case fits XT12. Ask your local distributor for more information.

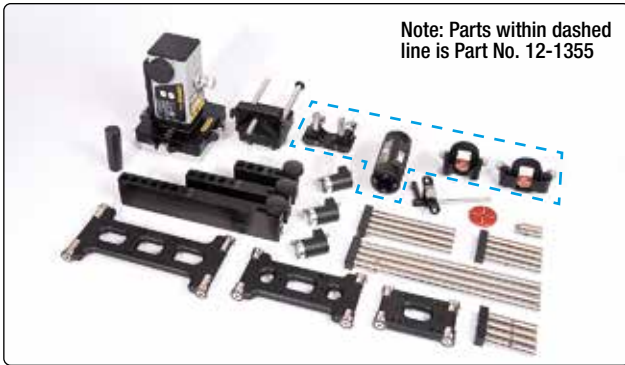
12-1320 1 Upgrade kit XT20

12-1321 1 Upgrade kit XT22

Please also see the Programs and functions overview on page 7.

¹ Please see our web site for a complete list of which tablets we recommend: easylaser.com > support > software download

* Requires accessories.



Bore kits for Easy-Laser® XT770

Part No: See below.

Bore alignment for XT

Easy-Laser® XT770 is the perfect starting point for most of your alignment jobs on rotating machinery. The two kits on this page are adding the possibility to deal also with bore applications. Choose if you want the round bore detector XT9 or not. One reason can be that you need to measure smaller diameters (see below).

Bore Bracket kit, with D75

With this kit added to your XT770 you use the XT70-M unit in your system as detector. Using the XT70-M you can measure diameters 130–500 mm [5.12–19.68"].

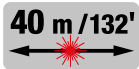
Bore Upgrade kit, with XT9

With this kit added you can measure diameters 80–500 mm [3.15–19.68"]. You need "Kit with D75" as the starting point to get the laser transmitter, all necessary brackets and the carrying case. "Kit with XT9" will then be put in the same case (see pictures).

Many mounting options

The detectors and brackets can be mounted in many different ways. Below are some examples of what is possible. For more options and measurable diameters, please see section Technical specifications.

Please also see the Programs and functions overview on page 7.



Bore bracket kit



Bore Upgrade kit added



D75 on hub



XT70 on bracket 12-0455



XT70 on bracket 12-1277



XT9 on bracket 12-0768

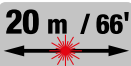
Bore bracket kit, with D75 (Part No. 12-1354)

- 12-0075 1 Laser transmitter D75
- 12-0455 1 Slide bracket Small
- 12-0543 1 Slide bracket Medium
- 12-0510 1 Slide bracket Large
- 12-1368 1 Axial support for slide brackets
- 12-1161 1 Set of rods 4x75 mm
- 12-0987 1 Set of rods 4x120 mm
- 12-0060 1 Set of rods 4x240 mm
- 12-0661 1 Offset hub with counterlock for D75
- 12-0707 1 Arm kit with magnets
- 12-1277 1 Bracket with rotatable bore probe
- 12-1357 1 Target for detector rough alignment
- 12-1367 1 Carrying case
WxHxD: 460x350x175 mm [18.1x13.1x6.9"]
Weight: 10.2 kg [22.5 lbs]

Bore Upgrade kit, with XT9 (Part No. 12-1355)

- 12-1350 1 Detector XT9
- 12-0768 1 Slide bracket 25 mm width
- 12-0767 1 Rod adapter with built-in target C-C 40 mm
- 12-1351 1 Rod adapter with built-in target C-C 56 mm
- 12-0990 1 Adjustable magnet for offset hub arms
Weight: 532 g [1.17 lbs]

Note: Display unit XT12 not included, but added separately to the system.



Easy-Laser® XT770 Shaft

Part No: 12-1096

For all types of rotating machinery

The XT770 system has all the programs and functions you need to keep your machines up and running.

Programs for alignment of horizontal, vertical/flange mounted machines, machine trains and cardan/offset mounted machines* plus EasyTrend for dynamic measurements* are included.

Functions for soft foot check, thermal growth compensation and tolerance check.

With the Twist measurement program you easily check the base flatness. The very versatile Values program, together with the dot-type laser technology adds functionality for e.g. checking bearing clearance.

XT70 measuring units

The XT70 units allow for multipoint, continuous sweep and uncoupled sweep measurements. They also support the 360°LIVE move feature.

- Large 20x20 mm [0.79x 0.79"] 2 axis TruePSD detectors.
- Dot-type laser technology for accuracy and versatility.
- Rugged design, IP66/67 approved, featuring wireless technology.
- Built-in OLED display shows battery status and the angular value of the unit for easy positioning.
- Integrated rechargeable battery, operating time 24 h.

Multi-platform alignment system

The XT Alignment App runs on your iOS and Android unit¹. You can also choose to add our ergonomic and rugged, IP66/67 approved shock proof Easy-Laser® XT12 display unit. Choose it with or without IR camera.

Geometric measurements

Add the possibility for geometric measurements, now or in the future. For general applications, please see Part No.12-1128 and 12-1334. For bore alignment, please see Part No. 12-1354 and 12-1355.

Please also see the Programs and functions overview on page 7.



System XT770 contains:

12-1045	1	Measuring unit XT70-M
12-1046	1	Measuring unit XT70-S
12-0963	2	Shaft bracket with chain and rods 120 mm
12-1008	2	Offset bracket for XT-series
12-0013	2	Magnet bases
01-0873	4	Rods 120 mm
01-2117	4	Rods 75 mm
12-0128	1	Extension chain (2x900 mm)
03-1707	1	Measuring tape 5 m
03-0967	1	Hexagon wrench set
03-1256	1	Battery charger (100–240 V AC)
12-0989	1	DC split cable for charging
12-0751	1	DC to USB adapter, for charging
05-0913	1	Quick manual (Note: Refers to English manual)
03-0878	1	Cleaning cloth for optics
03-0914	1	USB memory stick with documentation
04-0307	1	Set of QR code stickers
12-0973	1	Carrying case Medium WxHxD: 460x350x175 mm [18.1x13.8x6.9"] Weight: 9.1 kg [20.0 lbs]

Add display unit XT12:

12-1292	1	XT12 with IR Camera
12-1291	1	XT12



Both are delivered with shoulder strap for display unit, Part No 12-0997.
Weight: 1490 g [52.5 oz]

Examples of accessories for XT770:

12-1151	1	Cardan bracket kit
12-1130	1	Dynamic measurement brackets (complete kit)
12-1147	1	Magnetic bracket for XT-series
12-1012	1	Thin shaft bracket for XT-series
12-1010	1	Sliding bracket for XT-series
12-1053	1	XT190 BTA Digital belt alignment tool
12-1090	1	XT280 Vibrometer
12-1354	1	Bore bracket kit
12-1355	1	Bore upgrade kit

XT Laser transmitter Upgrade Kits for older XT770 systems:

These kits are for upgrading of older versions of XT770. The interior of the included case fits XT12. Ask your local distributor for more information.

12-1320	1	Upgrade kit XT20
12-1321	1	Upgrade kit XT22

¹ Please see our web site for a complete list of which tablets we recommend: easylaser.com > support > software download

* Requires accessories.

*Display unit XT12 not included, but added separately to the system.



Easy-Laser® XT660 Shaft

Part No: 12-1058

For all types of rotating machinery

The XT660 system comes with programs for alignment of horizontal, vertical/flange mounted machines, machine trains (3 machines) and cardan/offset mounted machines*.

Functions for soft foot check, thermal growth compensation and tolerance check.

With the Twist measurement program you easily check the base flatness. The very versatile Values program, together with the dot-type laser technology adds functionality for e.g. checking bearing clearance.

XT660 measuring units

The XT660 units allow for multipoint, continuous sweep and uncoupled sweep measurements.

- Large 20x20 mm [0.79x 0.79"] 1 axis TruePSD detectors.
- Dot-type laser technology for accuracy and versatility.
- Rugged design, IP66/67 approved, featuring wireless technology.
- Built-in OLED display shows battery status and the angular value of the unit for easy positioning.
- Integrated rechargeable battery, operating time 24 h.

Multi-platform alignment system

The XT Alignment App runs on your iOS and Android unit¹. You can also choose to add our ergonomic and rugged, IP66/67 approved shock proof Easy-Laser® XT12 display unit. Choose it with or without IR camera.

Please also see the Programs and functions overview on page 7.

System XT660 contains:

12-1028	1	Measuring unit XT60-M
12-1029	1	Measuring unit XT60-S
12-0963	2	Shaft bracket with chain and rods 120 mm
01-2117	4	Rods 75 mm
12-0128	1	Extension chain (2x900 mm)
03-1707	1	Measuring tape 5 m
03-0967	1	Hexagon wrench set
03-1256	1	Battery charger (100–240 V AC)
12-0989	1	DC split cable for charging
12-0751	1	DC to USB adapter, for charging
05-0863	1	Quick manual (Note: Refers to English manual)
03-0878	1	Cleaning cloth for optics
03-0914	1	USB memory stick with documentation
04-0307	1	Set of QR code stickers
12-0973	1	Carrying case Medium WxHxD: 460x350x175 mm [18.1x13.8x6.9"] Weight: 6.8 kg [14.9 lbs]

Add display unit XT12:

12-1292	1	XT12 with IR Camera
12-1291	1	XT12



Both are delivered with shoulder strap for display unit, Part No 12-0997.
Weight: 1490 g [52.5 oz]

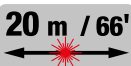
Examples of accessories for XT660:

12-0013	1	Magnet base (Note: offset bracket also needed for C–C 56 mm.)
12-1008	1	Offset bracket for XT-series
12-1147	1	Magnetic bracket for XT-series
12-1012	1	Thin shaft bracket for XT-series
12-1010	1	Sliding bracket for XT-series
12-1161	1	Rods (4x75 mm)
12-0324	1	Rods (8x120 mm)
12-0060	1	Rods (4x240 mm)
12-1053	1	XT190 BTA Digital belt alignment tool
12-1090	1	XT280 Vibrometer
12-1244	1	XT290 Digital precision level

¹ Please see our web site for a complete list of which tablets we recommend: easylaser.com > support > software download

* Requires accessories.

*Display unit is not included, but added separately to the system.



Easy-Laser® XT550 Ex/ATEX Shaft

Part No: 12-1031

Shaft alignment system for hazardous areas

Easy-Laser® XT550 is designed for use in potentially explosive environments. It has all the programs and functions you need to keep your machines up and running.

Programs for alignment of horizontal, vertical/flange mounted machines, machine trains and cardan/offset mounted machines*. Functions for soft foot check, thermal growth compensation and tolerance check. With the Twist measurement program you easily check the base flatness.

The very versatile Values program, together with the dot-type laser technology adds functionality for e.g. checking bearing clearance.

XT50 measuring units

The XT50 units allow for multipoint, continuous sweep and uncoupled sweep measurements.

- Large 20x20 mm [0.79x 0.79"] 1 axis TruePSD detectors.
- Dot-type laser technology for accuracy and versatility.
- Rugged design, IP66/67 approved, featuring wireless technology.
- Built-in OLED display shows battery status and the angular value of the unit for easy positioning.
- Integrated rechargeable battery, operating time 20 h.

Multi-platform alignment system

For a complete system, add the zone 1/21 approved ECOM display unit. Built-in 13+8 MP cameras (rear+front) for documentation. The XT Alignment app also runs on other iOS and Android units. ^{1 2}

For local purchase, find your ECOM reseller here:

<https://www.ecom-ex.com/company/locations/>

Please also see the Programs and functions overview on page 7.

The XT550 system contains:

12-1026	1	Measuring unit XT50-M Ex/ATEX
12-1027	1	Measuring unit XT50-S Ex/ATEX
12-1040	2	Shaft bracket Ex/ATEX, with chain and rods
12-1161	1	Set of Rods 4x75 mm
01-0873	2	Rods 120 mm
12-1038	2	Extension chain (900 mm)
03-1707	1	Measuring tape 5 m
03-0967	1	Rod tool
12-1281	1	Battery charger (100–240 V AC)
12-0989	1	DC split cable for charging
05-0889	1	Quick manual (Note: Refers to English manual)
03-0878	1	Cleaning cloth for optics
03-0914	1	USB memory stick with documentation
04-0307	1	Set of QR code stickers
12-1063	1	Carrying case, made of conductive plastics WxHxD: 450x300x180 mm [17.7x11.8x7.1"] Weight: 6.9 kg [15.2 lbs]

Add display unit ecom:

12-1327	1	ecom TabEx03 DZ1
---------	---	------------------



¹ Please see our web site for a complete list of which tablets we recommend: easylaser.com > support > software download
² For use in potentially explosive environments, the display device you use has to be at least approved for the same level of Ex/ATEX requirements as your work zone. Note that the XT12 isn't ATEX approved.
 * Requires accessories.

Examples of accessories for XT550:

12-0013	1	Magnet base (Note: offset bracket also needed for C–C 56 mm.)
12-1008	1	Offset bracket for XT-series
12-1147	1	Magnetic bracket for XT-series
12-1012	1	Thin shaft bracket for XT-series
12-1010	1	Sliding bracket for XT-series
12-1161	1	Rods (4x75 mm)
12-0324	1	Rods (8x120 mm)
12-0060	1	Rods (4x240 mm)

CERTIFICATIONS:

XT50 measuring units:

EX certificate number: Presafe 17 ATEX 10552X, IECEx PRE 17.0049X
 EX classification: Ⓜ II 2 G Ex ib op is IIC T4 Gb, -10°C ≤ Ta ≤ +50°C
 Ⓜ II 2 D Ex ib op is IIIC T135°C Db, -10°C ≤ Ta ≤ +50°C

Note! The EX rating above is valid for the XT50 measuring units only, Part No. 12-1026 and 12-1027. Brackets, fixturing equipment, case, and other accessories are not subject to any EX classification, and must be assessed by the user before use in EX environment. Easy-Laser does not take responsibility for the EX safety of accessories.

ecom display unit TabEx03 DZ1:

EX certificate number: EPS 22 ATEX 1055 X, IECEx EPS 22.0014X
 ATEX/UKCA Ex classification: Ⓜ II 2G Ex db ia IIC T6 Gb IP64, -20°C ≤ Ta ≤ +55°C,
 Ⓜ II 2D Ex ia tb IIIC T80°C Db, -20°C ≤ Ta ≤ +55°C
 IECEx classification: Ex db ia IIC T6 Gb IP64, -20°C ≤ Ta ≤ +55°C,
 Ex ia tb IIIC T80°C Db, -20°C ≤ Ta ≤ +55°C

*Display unit XT12 not included, but added separately to the system.



1 AXIS
PSD



EASY-LASER
XT

EASY-LASER
PLUS

10 m / 33'



Easy-Laser® XT440 Shaft

Part No: 12-0966

The mid-range entry level system!

The XT440 system comes with programs for alignment of horizontal and vertical/flange mounted machines.

Added to that are functions for soft foot check, thermal growth compensation and tolerance check.

The very versatile Values program adds functionality that normally only comes with mid-range systems, for example checking bearing clearance.

XT40 measuring units

- Large 30 mm [1.2"] 1 axis TruePSD detectors.
- Line laser technology for easy and quick operation.
- Rugged design, IP66/67 approved, featuring wireless technology.
- Built-in OLED display shows battery status and the angular value of the unit for easy positioning.
- Integrated rechargeable battery, operating time 24 h.

Multi-platform alignment system

The XT Alignment App runs on your iOS and Android unit¹. You can also choose to add our ergonomic and rugged, IP66/67 approved shock proof Easy-Laser® XT12 display unit. Choose it with or without IR camera.

Please also see the Programs and functions overview on page 7.



The XT440 system contains:

12-0943	1	Measuring unit XT40-M
12-0944	1	Measuring unit XT40-S
12-0963	2	Shaft bracket with chain and rods 120 mm
01-2117	4	Rods 75 mm
03-1707	1	Measuring tape 5 m
03-0967	1	Hexagon wrench set
03-1256	1	Battery charger (100–240 V AC)
12-0989	1	DC split cable for charging
12-0751	1	DC to USB adapter, for charging
05-0833	1	Quick manual (Note: Refers to English manual)
03-0878	1	Cleaning cloth for optics
03-0914	1	USB memory stick with documentation
04-0307	1	Set of QR code stickers
12-0973	1	Carrying case Medium
		WxHxD: 460x350x175 mm [18.1x13.8x6.9"]
		Weight: 6.0 kg [13.3 lbs]

Add display unit XT12:

12-1292	1	XT12 with IR Camera
12-1291	1	XT12



Both are delivered with shoulder strap for display unit, Part No 12-0997.
Weight: 1490 g [52.5 oz]

Examples of accessories for XT440:

12-1378	1	Bracket accessory kit
12-0013	1	Magnet base (Note: offset bracket also needed for C-C 56 mm.)
12-1008	1	Offset bracket for XT-series
12-1147	1	Magnetic bracket for XT-series
12-1012	1	Thin shaft bracket for XT-series
12-1010	1	Sliding bracket for XT-series
12-1161	1	Rods (4x75 mm)
12-0324	1	Rods (8x120 mm)
12-0060	1	Rods (4x240 mm)
12-0128	1	Extension chain (2x900 mm). For diameters up to 450 mm [12.7"].
12-1053	1	XT190 BTA Digital belt alignment tool
12-1090	1	XT280 Vibrometer
12-1244	1	XT290 Digital precision level

¹ Please see our web site for a complete list of which tablets we recommend:
easylaser.com > support > software download

* Requires accessories.

Easy-Laser® XT660 Shaft SG1

Part No: 12-1389

For alignment of generator to gearbox on wind turbines

This version of the XT660 system has brackets included for use on Siemens Gamesa (SG) turbines of different models. Functions for soft foot check, thermal growth compensation and tolerance check are included. By adding accessory brackets like V-brackets you can also use the system to align many other types of rotating machinery.

XT60 measuring units

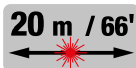
The XT60 units allow for multipoint, continuous sweep and uncoupled sweep measurements.

- Large 20x20 mm [0.79x 0.79"] 1 axis TruePSD detectors.
- Dot-type laser technology for accuracy and versatility.
- Rugged design, IP66/67 approved, featuring wireless technology.
- Built-in OLED display shows battery status and the angular value of the unit for easy positioning.
- Integrated rechargeable battery, operating time 24 h.

Multi-platform alignment system

The XT Alignment App runs on your iOS and Android unit¹. You can also choose to add our ergonomic and rugged, IP66/67 approved shock proof Easy-Laser® XT12 display unit, but please note that there is no space for XT12 in this case. You can however place a third party tablet in the case lid compartment (WxHxD: 250x220x20 mm).

Please also see the Programs and functions overview on page 38.



System XT660 Shaft SG1 contains:

12-1028	1	Measuring unit XT60-M
12-1029	1	Measuring unit XT60-S
01-2117	4	Rods 75 mm
01-0873	4	Rods 120 mm
12-0013	2	Magnet base
12-1008	2	Offset bracket for XT series
12-1373	2	Flange clamping bracket
03-1707	1	Measuring tape 5 m
03-0967	1	Hexagon wrench set
03-1256	1	Battery charger (100–240 V AC)
12-0989	1	DC split cable for charging
12-0751	1	DC to USB adapter, for charging
05-0863	1	Quick manual (Note: Refers to English manual)
03-0878	1	Cleaning cloth for optics
03-0914	1	USB memory stick with documentation
04-0307	1	Set of QR code stickers
12-0973*	1	Carrying case Medium (*with SG1 insert added) WxHxD: 460x350x175 mm [18.1x13.8x6.9"]

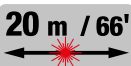
Please note that in this case there is no space for an XT12 display unit.

Examples of accessories for XT660 Shaft SG1:

12-0963	1	Shaft bracket with chain and rods 120 mm
12-1147	1	Magnetic bracket for XT-series
12-1161	1	Rods (4x75 mm)
12-0324	1	Rods (8x120 mm)
12-0060	1	Rods (4x240 mm)

¹ Please see our web site for a complete list of which tablets we recommend: easylaser.com > support > software download

*Display unit XT12 not included, but added separately to the system.



Easy-Laser® XT660 Shaft WMB

Part No: 12-1393

For alignment of generator to gearbox on wind turbines

The XT660 WMB (Wind Multi-Brand) system has brackets included for use on multiple brands and models. The addition of brackets are what sets this system apart from the standard XT660 system. Functions for soft foot check, thermal growth compensation and tolerance check are included.

XT60 measuring units

The XT60 units allow for multipoint, continuous sweep and uncoupled sweep measurements.

- Large 20x20 mm [0.79x 0.79"] 1 axis TruePSD detectors.
- Dot-type laser technology for accuracy and versatility.
- Rugged design, IP66/67 approved, featuring wireless technology.
- Built-in OLED display shows battery status and the angular value of the unit for easy positioning.
- Integrated rechargeable battery, operating time 24 h.

Multi-platform alignment system

The XT Alignment App runs on your iOS and Android unit¹. You can also choose to add our ergonomic and rugged, IP66/67 approved shock proof Easy-Laser® XT12 display unit. Choose it with or without IR camera.

Please also see the Programs and functions overview on page 38.



System XT660 Shaft WMB contains:

12-1028	1	Measuring unit XT60-M
12-1029	1	Measuring unit XT60-S
12-0963	2	Shaft brackets with chain and rods 120 mm
01-2117	4	Rods 75 mm
01-0873	4	Rods 120 mm
12-0128	1	Extension chain (2x900 mm)
12-0013	2	Magnet base
12-1008	2	Offset bracket for XT series
12-1373	2	Flange clamping bracket
03-1707	1	Measuring tape 5 m
03-0967	1	Hexagon wrench set
03-1256	1	Battery charger (100–240 V AC)
12-0989	1	DC split cable for charging
12-0751	1	DC to USB adapter, for charging
05-0863	1	Quick manual (Note: Refers to English manual)
03-0878	1	Cleaning cloth for optics
03-0914	1	USB memory stick with documentation
04-0307	1	Set of QR code stickers
12-0973	1	Carrying case Medium
		WxHxD: 460x350x175 mm [18.1x13.8x6.9"]

Add display unit XT12:

12-1292	1	XT12 with IR Camera
12-1291	1	XT12



Both are delivered with shoulder strap for display unit, Part No 12-0997.
Weight: 1490 g [52.5 oz]

Examples of accessories for XT660 Shaft WMB:

12-1161	1	Rods (4x75 mm)
12-0324	1	Rods (8x120 mm)
12-0060	1	Rods (4x240 mm)

¹ Please see our web site for a complete list of which tablets we recommend:
easylaser.com > support > software download

12-1143



Shaft alignment system for Vestas wind turbines

Part No: 12-1143 (Vestas 5/VT20025637)

Part No: 12-1284 (Vestas 5.5 - Mechanical bracket kit)

Part No: 12-1142 (Vestas 6/VT20025635)

Part No: 12-1183 (Installation Kit Upgrade)

For shaft alignment with the rotor locked.

Large forces are in action in a wind turbine. The safety of the maintenance technicians is therefore of the utmost importance. With the Easy-Laser® shaft alignment system the generator and gearbox can be aligned with the coupling dismantled and the brake locked.

12-1142



The Easy-Laser® Vestas shaft alignment systems consist of one general installation kit, one supplement kit for use on more turbines, plus one upgrade kit (or just the bushings, see below).

Installation kit, Wireless, Vestas 5.

Mechanical bracket kit, Vestas 5.5.

Same as Vestas 5, but without display unit, measuring units, printer and associated items like cables, see items marked with * in the list.

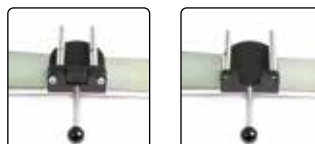
Supplement Service kit, Vestas 6.



Installation Kit Upgrade

If you have an older system Vestas 4 you can upgrade this for use at MK3E.

Please note that the brackets in all kits fit both E-series and XT-series measuring units. New design of bracket shown below.



A Vestas 5 system contains:

12-0700*	1	Display unit E52
01-1379*	1	Protective case for display unit E52
12-0777*	1	Measuring unit ELS40, PSD 30 mm, inclinometer
12-0776*	1	Measuring unit ELM40, PSD 30 mm, inclinometer
12-0712	5	Nut to adapters with magnet M6 V112
12-0714	4	Screw to Adapters V112, L=75mm
12-0713	2	Fixture Kit for V112
01-1520	4	Adaptor for fixture V112
03-0613	1	Distance gauge incl. adaptor, incl. fastening screw L=35mm
03-1034	1	Distance gauge incl. adaptor, incl. fastening screw L=55mm
01-2163	1	Bushings for MK3E / V150
01-2142	1	Bushings for MK3E / V150
01-2143	2	Washer for MK3E / V150
12-1140	2	Screw to bushings V150 L=45mm
12-0495*	1	Strap to display unit
03-0914*	1	USB memory stick 4GB
03-0822*	1	USB cable A to B 1.8 m
03-1243*	1	Battery charger (100-240 V AC) Lev. 6
12-0989*	1	DC split cable for charging
12-0751*	1	DC to USB adapter, for charging
03-1004*	1	Printer Seiko DPU-S445, including charger, cable and USB
03-0824	1	Measurement tape 3m
05-0954*	1	Manual E540 Vestas
12-1164	1	Carrying Case Vestas 5

Weight: 28 kg [61.7 lbs]

WxHxD: 670x600x220 mm [26.4x23.6x8.7"]

* These items are not included with Vestas 5.5.
System weight: 25 kg [55.1 lbs]

A Vestas 6 system contains:

12-0703	1	Detector-fixture Generator flange
12-0297	2	Screw knob to Generator fixture M12
12-0298	2	Screw knob to Generator fixture M16
12-0718	1	Detector-fixture Gearbox flange
01-0815	3	Adapter for Gearbox fixture 25 mm
01-0816	3	Adapter for Gearbox fixture 24 mm
01-0817	3	Adapter for Gearbox fixture 22 mm
01-0818	3	Adapter for Gearbox fixture 17 mm
12-0296	3	Screw to adapters
12-0299	4	Nut to adapters with magnet M6
12-1165	1	Carrying case Vestas 6

Weight: 12.3 kg [27.1 lbs]

WxHxD: 570x470x220 mm [22.4x18.5x8.7"]

A Vestas Laser Installation Upgrade Kit contains:

12-1154	1	Bushings for MK3E, set of 2 (VT20025636)
12-1164	1	Carrying case Vestas 5
12-1165	1	Carrying case Vestas 6

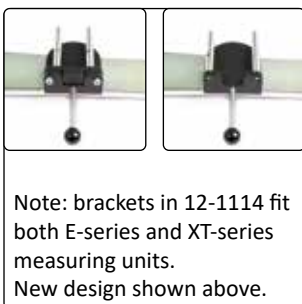
Bracket kit GA1 for wind turbines

Part No: 12-1114

For shaft alignment with the rotor locked.

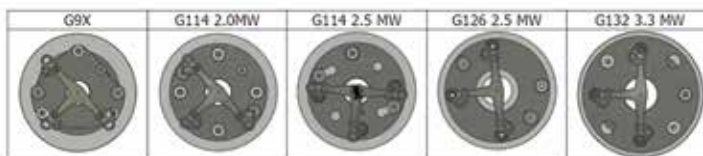
Large forces are in action in a wind turbine. The safety of the maintenance technicians is therefore of the utmost importance. With the Easy-Laser® shaft alignment system the generator and gearbox can be aligned with the coupling dismantled or in place. This bracket kit is designed especially for Gamesa turbines, and fits turbine types according to image below.

Note: brackets fit both Easy-Laser E-series and XT-series measuring units.



Note: brackets in 12-1114 fit both E-series and XT-series measuring units.
New design shown above.

JOINT ELEMENTS	TURBINE MODEL
M24 bolts + small bushings (OExt. 46 mm.)	G9X-G114 2.0 MW; G114 2.5 MW
M30 bolts + large bushings (OExt. 60 mm.)	G126 2.5 MW; G132 3.3 MW



System 12-1114 contains:

- 12-0975 1 Detector-fixture Generator flange GA1
- 01-1889 2 Adapters to Generator flange GA1 M24
- 01-1892 2 Adapters to Generator flange GA1 diameter 40 mm
- 01-1891 2 Adapters to Generator flange GA1 diameter 31 mm
- 01-1890 2 Adapters to Generator flange GA1 diameter 25 mm
- 12-0974 2 Screw to Adapters L=120 mm
- 12-0712 2 Nut to adapters with magnet M6
- 12-0976 1 Detector-fixture Gearbox flange GA1
- 12-0977 3 Screw M24 for Gearbox fixture
- 12-0978 3 Screw M30 for Gearbox fixture
- 01-1884 3 Adapters for M24 Screw to Gearbox fixture
- 01-1885 3 Adapters for M30 Screw to Gearbox fixture
- 03-0613 1 Distance Gauge (coupling flanges), incl. adapter
- 03-1034 2 Ext. adapter distances gauge
- 12-1116 1 Plastic carrying case for 12-1114

Weight: 17.0 kg [37.5 lbs]

WxHxD: 565x455x210 mm [22.2x17.9x8.2"]

Easy-Laser® XT190 BTA digital Wireless

Part No: 12-1053

“Live” digital read outs on clear OLED display

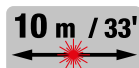
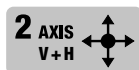
The detector reads off the position in relation to the laser plane and digitally displays the parallel and angular misalignment “live” on the clear built-in OLED display. The accuracy of the reading means that you can be within the prescribed alignment tolerances and rely upon the result. Suitable for most types of drive, such as V-belt, timing belt, flat belt and chain drives.

The laser transmitter has two power modes (high/low) which now makes it possible to measure on very long distances. The low power mode saves battery life.

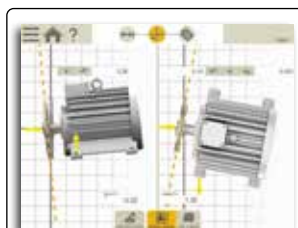
If you connect the detector wirelessly to a separate display unit, e.g. one of our shaft alignment systems, you can read and follow the alignment from where you are standing and making adjustments, instead of only where the detector is mounted. Then you can also set a tolerance and document the result of the alignment.

(Note 1: The XT190 detector unit connects to both the E- and XT-series display units. You can also use it with your iOS and Android phone/tablet. Please see our web site for compatible models.)

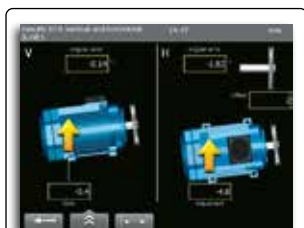
(Note2: There is no separate display unit included. The detector connects wireless to the E51/E52 and XT12/XT11 display units with Belt alignment program.)



Built-in display on detector unit. Angle and offset.



XT app for XT12/XT11 and iOS/Android display units.



Belt alignment program for E51 and E52.

A complete system contains:

12-1325	1	Laser transmitter
12-1054	1	Detector unit with built-in display, wireless
12-0394	2	Targets
03-1256	1	Charger (100–240 V AC) and cable
03-0247	1	Battery R6 (AA) 1.5 V
03-0914	1	USB memory stick with documentation
05-0865	1	Quick manual (Note: Refers to English manual)
12-0804	1	Carrying case



10 m / 33'

Easy-Laser® D92 BTA

Part No: 12-1332

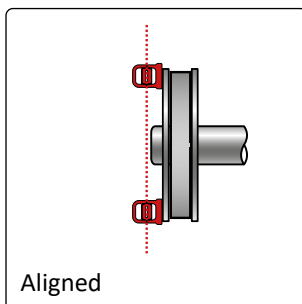
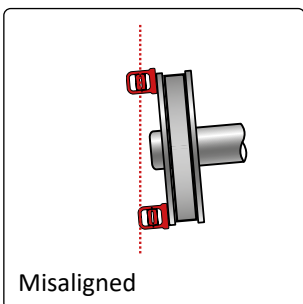
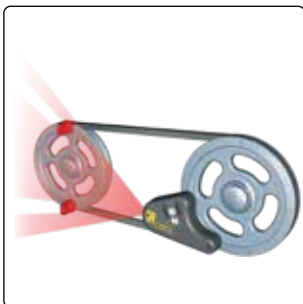
For quick and easy alignment of sheaves/pulleys

Easy-Laser® D92 is installed in a few seconds, and the laser line that is projected on the targets clearly shows how to adjust the machines. The tool has targets that can be read out "visually" and which give excellent degrees of accuracy that are sufficient for most users.

The laser transmitter has two power modes (high/low) which now makes it possible to measure on very long distances. The low power mode instead saves battery life.

If, in the future, you wish to have the option of digital readouts with the corresponding advantages, you can add a digital detector (see system XT190).

D92 BTA is compact and light. Suitable for most types of drive, such as V-belt, timing belt, flat belt and chain drives.



A complete system contains:

12-1325	1	Laser transmitter
12-0394	2	Target
05-0352	1	Manual
03-0247	1	Battery R6 (AA) 1.5 V
03-0591	1	Padded cover



Easy-Laser® XT290 Digital precision level

Part No: 12-1244

For reliable machinery installation

Digital levels are extremely useful tools for setting-up and aligning most types of machines, for example, levelling machine bases, rolls, tables, etc. 0.1 mm/m [mils/inch] is a normal requirement for level at machine installations to ensure correct functionality. Other applications include checking straightness, flatness and parallelism. Easy-Laser® XT290 is simply the must-have addition to your laser-based alignment system.

Accuracy is guaranteed by the precision-ground, hardened steel base. Wide measurement range, very fast inclinometer/value stabilisation, and an easy-to-read TFT colour display with graphics makes the measurement procedure quick and easy. Two mounting holes allow for your own adaptations and brackets.

INCLINOMETERS
2-AXIS

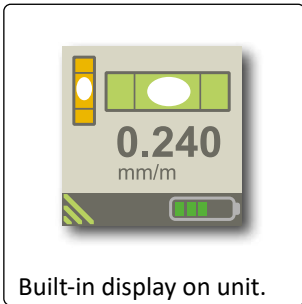


EASY-LASER
XT

EASY-LASER
PLUS

PRECISION LEVEL
1-AXIS

EASY-LASER
BUILT-IN DISPLAY



Built-in display on unit.



System case.



XT app for XT12/XT11 and iOS/Android display units.



Legs for measurement on large cylindrical surfaces.

Connect to a separate display unit

The XT290 connects to the free XT Alignment app (iOS/Android) and our XT12/XT11 display unit. Using a separate display unit, for example your smartphone, makes it all even easier as you can read off and follow the adjustment at the point on the machine where the adjustment is made. It is also safer for some applications, where you can leave the unit inside the safety fence, then follow the measurement outside it.

You can make a measurement report with pictures and share it (PDF and Excel). Using the app you can also record values during a set time and frequency, i.e. dynamic measurements. Another possibility with the app is to connect up to four digital levels (or e.g. two levels and two measuring units) at the same time, displayed in the same screen view.

Precision level accuracy: ± 0.02 mm/m $\pm 1\%$ [± 0.02 mils/inch $\pm 1\%$]

Inclinometers accuracy: $\pm 0.2^\circ$ (within range $\pm 5^\circ$), $\pm 1^\circ$ (within range $\pm 180^\circ$)

Please see chapter *Technical specifications and drawings* for more data.

(Note: The XT290 does not work with the E-series display units. You can of course still use it as a separate tool.)

A complete system contains:

- 12-1241 1 Digital Precision Level
- 01-1402 1 Screw for mounting safety strap*
- 03-1256 1 Charger (100–240 V AC) and cable
- 03-0914 1 USB memory stick with documentation
- 05-0990 1 Quick manual (Note: Refers to English manual)
- 12-1243 1 Carrying case

Complete system:

Weight: 2.2 kg [4.85 lbs]

WxHxD: 270x240x120 mm [10.6x9.4x4.7"]

Examples of accessories:

- 12-0901 1 Legs for measurement on cylindrical surfaces 55–800 mm
- 03-1406 1 Safety strap Bahco 3875-LY2*

*Please note that safety regulations differ from country to country.



XT280 Vibrometer

Part No: 12-1090

FOR QUICK VIBRATION ANALYSIS

Easy-Laser® XT280 is an easy-to-use vibration monitoring and analysis tool that allows easy display of vibration signals. The XT280 automatically performs vibration analysis functions based on machine running speed to help diagnose faults such as unbalance, misalignment and looseness. The system is designed to enable you to take vibration measurements from assets like pumps, motors, fans and bearings. The unit displays vibration frequency plots and allows vibration severity and bearing condition to be monitored.

For documentation purpose, you can connect the XT280 to the XT Alignment App. Run the app on your phone or tablet*, or the XT12/XT11 display unit.

* Please see our web site for compatible models.



Built-in display.



XT app for XT12/XT11 and iOS/Android display units.



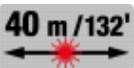
A complete system contains:

- 12-1050 1 Vibrometer (with short tip)
- 05-0934 1 Quick manual
- 03-0914 1 USB memory stick with documentation
- 03-1429 1 Screw driver Torx T8
- 03-1336 1 Padded case

Examples of accessories:

- 03-1327 1 Accelerometer magnet
- 03-1326 1 Stinger (100 mm)

*Display unit XT12 not included, but added separately to the system.



Easy-Laser® XT980 Sawmill

Part No: 12-1335

Measurement and alignment of sawmill machinery

Easy-Laser® XT980 is a laser based measurement and alignment system that helps sawmills to make optimal use of their machines. By setting the machines up correctly it is possible to maintain a high rate of production with the highest quality end products hour after hour. Laser transmitter XT22 has a manually rotated laser head with an angular prism, making it very versatile and suitable for most geometrical measurements.

With Easy-Laser® XT980 measuring and adjustment of reducers, counterholds, saw blades and discs become a simple and quick task. The laser line works as an absolutely straight ruler for 40 metres, and is very practical for the demanding and dusty environment of a sawmill. It replaces the long wire used traditionally, and gives many more possibilities for aligning the saw equipment. It can be used equally well for circular saws and band saws.

Benefits of using Easy-Laser® XT980 are:

- Higher production speed
- Less unplanned downtime
- Better product quality
- Longer lifetime for blades
- Longer lifetime for bearings
- Less vibration
- Less waste material

There is a standard system configuration plus some useful accessories. Together with our Easy-Laser representative, the system is adapted to best fit your actual machinery.

The measurement app runs on your iOS and Android unit¹. You can also choose a complete system with our ergonomic and rugged, IP66/67 approved shock proof Easy-Laser® XT display unit. Choose it with or without IR camera.

Please also see the Programs and functions overview on page 38.

The XT980 system contains:

- | | | |
|---------|---|--|
| 12-1273 | 1 | Laser transmitter XT22 |
| 12-1045 | 1 | Measuring unit XT70-M |
| 03-0833 | 2 | Electronic target |
| 12-1275 | 1 | Multi bracket for XT laser |
| 12-1133 | 1 | Magnet base with turnable head |
| 12-0013 | 1 | Magnet base |
| 12-0963 | 1 | Shaft bracket with chain |
| 12-1008 | 2 | Offset bracket |
| 12-0624 | 2 | Bracket for electronic target |
| 12-1209 | 1 | Rotating detector bracket for rods |
| 12-1210 | 1 | Magnet bracket long, with turnable head |
| 12-1211 | 1 | Magnet bracket short, with turnable head |
| 12-1087 | 1 | Set square bracket for index table |
| 12-1083 | 1 | Index table 90° |
| 12-0987 | 2 | Set of Rods (4x120 mm) |
| 12-1161 | 1 | Set of Rods (4x75 mm) |
| 12-1232 | 2 | Large target with magnets |
| 05-0993 | 1 | Quick Guide (English) |
| 03-0842 | 1 | Measuring tape 5 m |
| 12-1299 | 1 | Documentation folder GEO |
| 03-0822 | 1 | USB cable |
| 03-1256 | 1 | Battery charger (100–240 V AC) |
| 12-0989 | 1 | DC split cable for charging |
| 12-0751 | 1 | DC to USB adapter |
| 03-0878 | 1 | Cleaning cloth for optics |
| 03-0914 | 1 | USB memory stick with documentation |
| 03-1419 | 2 | Screw clamps |
| 03-0967 | 1 | Hexagon wrench set |
| 12-1300 | 1 | Toolbox XT GEO |
| 12-1298 | 1 | Transportation case, with wheels |

Add display unit XT12:

- | | | |
|---------|---|---------------------|
| 12-1292 | 1 | XT12 with IR Camera |
| 12-1291 | 1 | XT12 |



Both are delivered with shoulder strap for display unit, Part No 12-0997.
Weight: 1490 g [52.5 oz]

Examples of accessories:

- | | | |
|---------|---|---|
| 12-1010 | 1 | Sliding bracket for XT-series |
| 12-0060 | 1 | Rods (4x240 mm) |
| 12-1262 | 1 | Detector bracket for centering on wire position |
| 12-0503 | 1 | Bracket (Set square) for transmitter |
| 12-1123 | 1 | Extension for set square 12-1087, 295 mm |
| 12-1124 | 1 | Extension for set square 12-1087, 430 mm |
| 12-1060 | 1 | Extension chain (2x900 mm). For diameters up to 450 mm [12.7"]. |
| 12-1053 | 1 | XT190 BTA Digital belt alignment tool |
| 12-1090 | 1 | XT280 Vibrometer |
| 12-1244 | 1 | XT290 Digital precision level |

Complete system:

Weight: 28.0 kg [61.7 lbs]
WxHxD: 622x492x310 mm [24.5x19.4x12.2"]

¹ Please see our web site for a complete list of which tablets we recommend:
easylaser.com > support > software download



Easy-Laser® E980 Sawmill

Part No: 12-0727

Measurement and alignment of sawmill machinery

Easy-Laser® E980 is a laser based measurement and alignment system that helps sawmills to make optimal use of their machines. By setting the machines up correctly it is possible to maintain a high rate of production with the highest quality end products hour after hour.

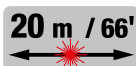
With Easy-Laser® E980 measuring and adjustment of reducers, counterholds, saw blades and discs become a simple and quick task. The system has the D23 Spin laser transmitter (motor driven laser head), which makes it easier for just one person to measure, if required. It replaces the long wire used traditionally, and gives many more possibilities for aligning the saw equipment. Thanks to the user friendliness of a laser measurement system the alignment work is properly done when necessary. The investment is quickly returned through fewer production stoppages and more even quality in the sawn timber. It can be used equally well for circular saws and band saws.

Benefits of using Easy-Laser® E980 are:

- Higher production speed
- Less unplanned downtime
- Better product quality
- Longer lifetime for blades
- Longer lifetime for bearings
- Less vibration
- Less waste material

There is a standard system configuration plus some useful accessories. Together with our Easy-Laser representative, the system is adapted to best fit your actual machinery.

Please note that the application picture show older design of index table.



A complete system contains:

- | | | |
|---------|---|--|
| 12-0418 | 1 | Display unit E51 |
| 12-0168 | 1 | Laser transmitter D23 |
| 12-0509 | 1 | Detector E5 |
| 12-0436 | 1 | Wireless unit |
| 03-0833 | 2 | Electronic target |
| 12-0074 | 1 | Cable 2 m |
| 12-0108 | 1 | Cable 5 m, extension |
| 12-1133 | 1 | Magnet base with turnable head |
| 12-0013 | 1 | Magnet base |
| 12-0016 | 1 | Shaft bracket with chain |
| 12-1008 | 2 | Offset bracket |
| 12-0624 | 2 | Bracket for electronic target |
| 12-1209 | 1 | Rotating detector bracket for rods |
| 12-1210 | 1 | Magnet bracket long, with turnable head |
| 12-1211 | 1 | Magnet bracket short, with turnable head |
| 12-1087 | 1 | Set square bracket for index table |
| 12-1083 | 1 | Index table 90° |
| 12-1161 | 1 | Set of Rods (4x75 mm) |
| 12-0987 | 2 | Set of Rods (4x120 mm) |
| 12-1232 | 2 | Large targets |
| 05-0685 | 1 | Manual (Note: Refers to English manual) |
| 03-0842 | 1 | Measuring tape 5 m |
| 03-0914 | 1 | USB memory stick with documentation |
| 03-0822 | 1 | USB cable |
| 03-1243 | 1 | Battery charger (100–240 V AC) |
| 03-0967 | 1 | Hexagon wrench set (incl. with 12-0168) |
| 03-1419 | 2 | Screw clamps |
| 12-0495 | 1 | Shoulder strap for Display unit |
| 03-0878 | 1 | Cleaning cloth for optics |
| 12-1007 | 1 | Transportation case, with wheels |

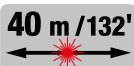
Examples of accessories:

- | | | |
|---------|---|--|
| 12-1010 | 1 | Sliding bracket (for vertical support rolls) |
| 12-0022 | 1 | Laser transmitter D22 (add or exchange the D23) |
| 12-0752 | 1 | Detector E7 (add an extra unit for more measurement possibilities) |
| 12-0060 | 1 | Rods (4x240 mm) |
| 12-1262 | 1 | Detector bracket for centering on wire position |
| 12-0503 | 1 | Bracket (Set square) for transmitter |
| 12-1123 | 1 | Extension for set square 12-1087, 295 mm |
| 12-1124 | 1 | Extension for set square 12-1087, 430 mm |
| 12-1060 | 1 | Extension chain (2x900 mm). For diameters up to 450 mm [12.7"]. |
| 12-1053 | 1 | XT190 BTA Digital belt alignment tool |
| 12-1090 | 1 | XT280 Vibrometer |
| 12-1244 | 1 | XT290 Digital precision level |

Note: always check number of items included for each Part No. before ordering.

Complete system:

Weight: 29.0 kg [63.9 lbs]
 WxHxD: 622x492x310 mm [24.5x19.4x12.2"]



Easy-Laser® E970 Parallelism

Part No: 12-0853

For parallelism measurement

For parallelism measurement of rolls and other objects in numerous applications. This system use the traditional method where the laser beam (reference) is pointed alongside the machine, and then deflected 90° towards the detector on the measurement object by a penta prism. Measurement values for the horizontal position are registered in both ends of the object. The included precision level is used for the vertical position. Any chosen object or the baseline can be used as a reference. For rolls with diameter 40 mm [1.6"] and larger. Maximum measurement distance with a standard system is 80 metres [260 feet] (40 metres in each direction from the transmitter).

Easy-Laser® E970 is a very versatile system. You can also use it to measure level, straightness and flatness on wire sections (suction boxes), flatness on bases and straightness on rolls. This makes Easy-Laser® a very cost effective solution for your maintenance department.

A complete system contains:

- 12-0418 1 Display unit E-series E51
- 12-0022 1 Laser transmitter D22 incl. tilt table
- 12-0752 1 Detector E7
- 12-0436 1 Wireless unit for E7
- 12-0846 1 E290 Digital Precision Level
- 12-0901 1 Extension Kit for E290
- 12-0074 1 Cable 2 m
- 12-0108 1 Cable 5 m, extension
- 12-1352 1 Angular prism Mk2
- 12-1188 1 Target for laser transmitter (small hole)
- 12-1261 1 Target for laser transmitter (large hole)
- 01-2232 1 Tripod adaptor for Angular prism
- 12-0269 2 Tripod
- 12-0203 1 Parallellity kit
- 12-0060 1 Set of Rods 4x240 mm
- 12-0987 1 Set of Rods 4x120 mm
- 12-0059 1 Set of Rods 4x60 mm
- 05-0685 1 Manual (Note: Refers to English manual)
- 03-0842 1 Measuring tape 5 m
- 03-0914 1 USB memory stick with documentation
- 03-0822 1 USB cable
- 03-1243 1 Battery charger (100–240 V AC)
- 12-0989 1 DC charging cable
- 12-0751 1 DC to USB adapter
- 03-0967 1 Hexagon wrench set
- 12-0495 1 Shoulder strap for Display unit
- 03-0878 1 Cleaning cloth for optics
- 12-0869 1 Carrying case

Examples of accessories:

- 12-1053 1 XT190 BTA
- 12-0856 1 Roll alignment Kit
- 03-1004 1 Thermal printer
- 12-0455 1 Slide bracket Small
- 12-0543 1 Slide bracket Medium
- 12-0510 1 Slide bracket Large
- 12-0269 1 Tripod
- 03-1406 1 Safety strap Bahco 3875-LY2

Note: always check number of items included for each Part No. before ordering.

Complete system:

Weight: 19.9 kg [43.9 lbs]
 WxHxD: 620x490x220 mm [24.4x19.3x8.7"]

Tripod:

Weight: 7.9 kg [17.4 lbs]
 Transport length: 1110 mm [44"]



Easy-Laser® E960-A Turbine alignment

Part No: 12-0710

Reliability and precision

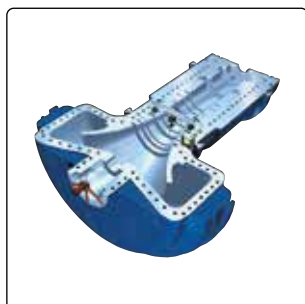
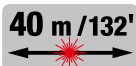
Easy-Laser® E960-A has a measuring probe with a stroke of 10 mm (Short stroke). The slidable tube makes it possible to measure several positions in a row without moving the bracket. Suitable for gas turbines and smaller steam turbines. Makes the measurement and adjustment work of diaphragms and bearings easier thanks to the wireless detector unit and measurement programs that guides you through the measurement process. All of the parts included in the systems are designed and built for even the most demanding workplace and for easy setup on any machinery. The versatile design solves the straightness measurement problems quickly and with precision for any kind of application. Objects up to 40 m [132 feet] can be measured. The detector reads measurement values with a resolution of 0.001 mm [0.05 mils]. Measures diameters 150–1700 mm [5.9–67"].

Versatile programs

The straightness programs of system E960 are very versatile, and let you work in the way that suits every job best. You can add, remove and re-measure measurement points at any time during the measurement. Up to 999 points can be handled by the program. You can include both full bores and half bores in any possible combination in one measurement, the program will calculate the correct centre line in all cases. The measurement program includes many different methods for straightness measurement: 1-point measurement, 4-point measurement, Multipoint measurement (also ovality measurement), 3-point measurement, 3-point measurement with arbitrary angles. Optionally a reference detector can be used to monitor the laser transmitter position at long distances.

The measurement result

Thanks to the large colour display with clear graphs and measurement data you can evaluate the result directly on site. Any point can be set as reference and you can set an offset to which the centre line will be recalculated. You can also calculate waviness (short and long) and best-fit for the points. If you want, the result can also be checked against a tolerance value. The measurement system takes care of all these complicated calculations for you.



A complete system contains:

- 12-0418 1 Display unit E-series E51
- 12-0075 1 Laser transmitter D75
- 12-0752 1 Detector E7
- 12-0436 1 Wireless unit
- 12-0074 1 Cable 2 m
- 12-0108 1 Cable 5 m, extension
- 12-0385 1 Laser transmitter bracket
- 12-0661 1 Offset hub for Laser transmitter
- 12-0438 1 Detector bracket Short stroke
- 12-0443 2 Centering target
- 12-0495 1 Shoulder strap for Display unit
- 05-0685 1 Manual (Note: Refers to English manual)
- 03-0842 1 Measuring tape 5 m
- 03-0914 1 USB Memory stick with documentation
- 03-0822 1 USB Cable
- 03-1243 1 Battery charger (100–240 V AC)
- 03-0878 1 Cleaning cloth for optics
- 12-0724 1 Carrying case with wheels

Examples of accessories:

- 12-0805 1 Measuring probe ruby, diameter 5 mm
- 12-0801 1 Measuring probe ruby, diameter 2.5 mm
- 12-1047 1 Measuring probe cylindrical
- 12-0707 1 Offset hub arm kit for diameters 100–500 mm
- 12-0752 1 E7 (as reference detector)
- 12-0187 1 Magnetic bracket for D75
- 12-0282 1 Set of extension arms
- 03-1004 1 Thermal printer
- 12-0022 1 Laser transmitter D22
- 12-0706 1 Laser transmitter D25

Note: always check number of items included for each Part No. before ordering.

Complete system:

Weight: 33.5 kg [73.8 lbs]
 WxHxD: 1260x550x220 mm [4.6x21.6x8.7"]



Easy-Laser® E960-B Turbine alignment

Part No: 12-0711

Reliability and precision

Easy-Laser® E960-B has a measuring probe with a stroke of 60 mm (Long stroke). Suitable for larger turbines. The system makes the measurement and adjustment work of diaphragms and bearings easier thanks to the wireless detector unit and measurement programs that guides you through the measurement process. All of the parts included in the systems are designed and built for even the most demanding workplace and for easy setup on any machinery. The versatile design solves the straightness measurement problems quickly and with precision for any kind of application. Objects up to 40 m [132 feet] can be measured. The detector reads measurement values with a resolution of 0.001 mm [0.05 mils]. Measures diameters 200–1700 mm [7.8–67"] as standard, and up to 4000 mm [157"] with accessory brackets.

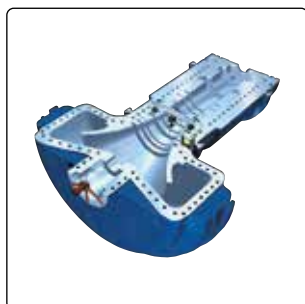
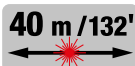
Versatile programs

The straightness programs of system E960 are very versatile, and let you work in the way that suits every job best. You can add, remove and re-measure measurement points at any time during the measurement. Up to 999 points can be handled by the program. You can include both full bores and half bores in any possible combination in one measurement, the program will calculate the correct centre line in all cases. The measurement program includes many different methods for straightness measurement:

1-point measurement, 4-point measurement, Multipoint measurement (also ovality measurement), 3-point measurement, 3-point measurement with arbitrary angles. Optionally a reference detector can be used to monitor the laser transmitter position at long distances.

The measurement result

Thanks to the large colour display with clear graphs and measurement data you can evaluate the result directly on site. Any point can be set as reference and you can set an offset to which the centre line will be recalculated. You can also calculate waviness (short and long) and best-fit for the points. If you want, the result can also be checked against a tolerance value. The measurement system takes care of all these complicated calculations for you.



A complete system contains:

- 12-0418 1 Display unit E-series E51
- 12-0075 1 Laser transmitter D75
- 12-0752 1 Detector E7
- 12-0436 1 Wireless unit
- 12-0074 1 Cable 2 m
- 12-0108 1 Cable 5 m, extension
- 12-0385 1 Laser transmitter bracket
- 12-0661 1 Offset hub for Laser transmitter
- 12-0715 1 Detector bracket Long stroke
- 12-0443 2 Centering target
- 12-0495 1 Shoulder strap for Display unit
- 05-0685 1 Manual (Note: Refers to English manual)
- 03-0842 1 Measuring tape 5 m
- 03-0914 1 USB Memory stick with documentation
- 03-0822 1 USB Cable
- 03-1243 1 Battery charger (100–240 V AC)
- 03-0878 1 Cleaning cloth for optics
- 12-0724 1 Carrying case with wheels

Examples of accessories:

- 12-0805 1 Measuring probe ruby, diameter 5 mm
- 12-0801 1 Measuring probe ruby, diameter 2.5 mm
- 12-1047 1 Measuring probe cylindrical
- 12-0707 1 Offset hub arm kit for diameters 100–500 mm
- 12-0752 1 E7 (as reference detector)
- 12-0187 1 Magnetic bracket for D75
- 12-0282 1 Set of extension arms
- 03-1004 1 Thermal printer
- 12-0022 1 Laser transmitter D22
- 12-0706 1 Laser transmitter D25

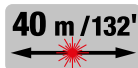
Note: always check number of items included for each Part No. before ordering.

Complete system:

Weight: 36.5 kg [80.5 lbs]
 WxHxD: 1260x550x220 mm [4.6x21.6x8.7"]



Note: Display unit XT12 not included, but added separately to the system.



Easy-Laser® XT950 Bore alignment With laser transmitter D75

Part No: 12-1356

Bore alignment for a wide range of applications

The Easy-Laser® XT950 system is primarily designed for applications like engines, compressors and gearboxes, but can be used in many more applications. The XT9 detector makes it possible to measure bores with diameter 80–500 mm [3.15–19.68"] as standard.

The bracket system is very versatile and provides many possibilities to mount the detector in bores with different widths, and they can also be assembled in many ways for different situations. The magnetic feet holds the detector in perfect position for stable and precise measurements.

Learn more about the brackets in the Technical specifications section at the end of this catalogue.

The Bore Center program guides the user through the entire measurement process which contributes to simple operation. The system automatically calculates the bearing journals positions in relation to each other, both horizontally and vertically. You can then evaluate the results with different Best fit calculation methods, analyse different choices of reference points and set tolerance values.

All parts are designed for maximum accuracy and stability, and measure with a resolution of 0.001 mm [0.05 mils]. Measurement distance up to 40 m [130 feet]. Easy-Laser® XT950 is suitable for use both in manufacturing and in field services activities.

Also for other straightness measurements

With the systems, you can also measure the straightness of shafts, linear guides, foundations, etc. without any additional accessories.



XT9 on bracket 12-1277



XT9 on bracket 12-0455



D75 on hub



XT9 on bracket 12-0768

System XT950 contains:

- 12-0075 1 Laser transmitter D75
- 12-1350 1 Detector XT9
- 12-0661 1 Offset hub with counterlock for D75
- 12-0707 1 Arm kit with magnets
- 12-1161 1 Set of rods 4x75 mm
- 12-0987 1 Set of rods 4x120 mm
- 12-0060 1 Set of rods 4x240 mm
- 12-0455 1 Slide bracket Small
- 12-0543 1 Slide bracket Medium
- 12-0510 1 Slide bracket Large
- 12-1277 1 Bracket with rotatable bore probe, XT
- 12-1357 1 Target for detector rough alignment
- 12-1368 1 Axial support for slide brackets
- 12-1351 1 Rod adapter with built-in target C-C 56 mm
- 12-0767 1 Rod adapter with built-in target C-C 40 mm
- 12-0768 1 Slide bracket, 25 mm width
- 03-1256 1 Battery charger (100–240 V AC)
- 03-0914 1 USB memory stick with documentation
- 03-1707 1 Measuring tape 5 m
- 03-0967 1 Hexagon wrench set
- 12-0751 1 DC to USB adapter, for charging
- 12-0989 1 DC split cable for charging
- 03-0878 1 Cleaning cloth for optics
- 12-1394 1 Carrying case XT Linebore
WxHxD: 546x432x244 mm [21.5x17.0x9.6"]

Add display unit XT12:

- 12-1292 1 XT12 with IR Camera
- 12-1291 1 XT12



Both are delivered with shoulder strap for display unit, Part No 12-0997.
Weight: 1490 g [52.5 oz]

Examples of accessories for XT950:

- 12-0553 1 Bore bracket adapter plate
- 12-0314 1 Detector arms Linebore
- 12-0187 1 Magnetic bracket for D75
- 12-0282 1 Set of extension arms
- 12-0580 1 Axial extension arms
- 12-0990 1 Adjustable magnet for offset hub arms



Easy-Laser® E950-A Bore alignment

Part No: 12-0676

Bore alignment with the highest reliability and precision

Easy-Laser® E950-A is primarily designed for diesel engines (for example crank and camshaft bearings), gearboxes, compressors and similar applications. Positioning workpieces in machine tools is also an appropriate application.

Easy-Laser® E950 makes checking and aligning bearings and bearing journals easier thanks to wireless detectors and versatile brackets. A large colour display with clear graphics and software that guides the user through the entire measurement process contributes to simple operation. The system automatically calculates the bearing journal positions in relation to each other, both horizontally and vertically. You can then evaluate the results directly on-site with different calculation methods such as Best fit around zero and Waviness. It is also possible to analyse the different choices of reference points and set the offset and tolerance values.

A great feature is the check of ovality, for example, to analyse the wear rate. The measurement system takes care of all these complicated calculations for you. You measure and align both full and half bearing journals with equal simplicity. The wireless detector eliminates uncertain factors such as cable pull. All parts are designed for maximum accuracy and stability, and measure with a resolution of 0.001 mm [0.05 mils]. Measurement distance up to 40 m [130 feet]. Easy-Laser® E950 is suitable for use both in production and out in the field.

Also straightness of shafts

With the systems, you can also measure the straightness of shafts, foundations, etc. without any additional accessories.



A complete system contains:

- 12-0418 1 Display unit E-series E51
- 12-0075 1 Laser transmitter D75
- 12-0752 1 Detector E7
- 12-0436 1 Wireless unit
- 12-0074 1 Cable 2 m
- 12-0108 1 Cable 5 m, extension
- 12-0661 1 Offset hub for Laser transmitter
- 12-0384 1 Set of offset hub arms for diameters 100–500 mm
- 12-0154 1 Set of magnets for offset hub arms
- 12-0990 1 Adjustable magnet for offset hub arms
- 12-0455 1 Slide bracket Small
- 12-0543 1 Slide bracket Medium
- 12-0510 1 Slide bracket Large
- 12-0588 1 Large target E-series
- 12-0013 1 Magnet base
- 12-0059 1 Set of rods (4x60 mm)
- 01-0938 2 Rods 30 mm
- 01-0873 4 Rods 120 mm
- 01-0044 2 Rods 240 mm
- 12-0495 1 Shoulder strap for Display unit
- 05-0685 1 Manual (Note: Refers to English manual)
- 03-0842 1 Measuring tape 5 m
- 03-0914 1 USB Memory stick with documentation
- 03-0822 1 USB Cable
- 03-1243 1 Battery charger (100–240 V AC)
- 03-0967 1 Hexagon wrench set
- 03-0878 1 Cleaning cloth for optics
- 12-0684 1 Carrying case Linebore A

Examples of accessories:

- 12-0187 1 Magnetic bracket for D75
- 12-0282 1 Set of extension arms
- 12-0580 1 Axial extension arms
- 03-1004 1 Thermal printer
- 12-0022 1 Laser transmitter D22

Note: always check number of items included for each Part No. before ordering.

Complete system:

Weight: 14.0 kg [30.8 lbs], WxHxD: 550x450x210 mm [21.6x17.7x8.3"]



Easy-Laser® E950-B Bore alignment

Part No: 12-0677

Bore alignment with the highest reliability and precision

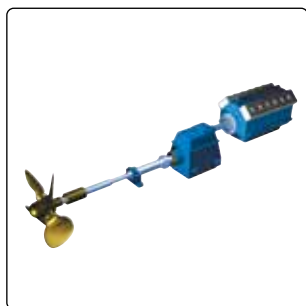
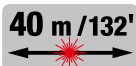
Easy-Laser® E950-B is primarily designed for propeller shaft installations on ships with stern tubes, support bearings, gearboxes and engines.

Easy-Laser® E950 makes checking and aligning bearings and bearing journals easier thanks to wireless detectors and versatile brackets. A large colour display with clear graphics and software that guides the user through the entire measurement process contributes to simple operation. The system automatically calculates the bearing journal positions in relation to each other, both horizontally and vertically. You can then evaluate the results directly on-site with different calculation methods such as Best fit around zero and Waviness. It is also possible to analyse the different choices of reference points and set the offset and tolerance values.

A great feature is the check of ovality, for example, to analyse the wear rate. The measurement system takes care of all these complicated calculations for you. You measure and align both full and half bearing journals with equal simplicity. The wireless detector eliminates uncertain factors such as cable pull. All parts are designed for maximum accuracy and stability, and measure with a resolution of 0.001 mm [0.05 mils]. Measurement distance up to 40 m [130 feet]. The included aluminium beams for the laser transmitter bracket are 1100 mm [43.31"] (main beam) and 500 mm [19.86"] (vertical support beam). Easy-Laser® E950 is suitable for use both in production and out in the field.

Also straightness of shafts

With the systems, you can also measure the straightness of shafts, foundations, etc. without any additional accessories.



A complete system contains:

- 12-0418 1 Display unit E-series E51
- 12-0075 1 Laser transmitter D75
- 12-0752 1 Detector E7
- 12-0436 1 Wireless unit
- 12-0074 1 Cable 2 m
- 12-0108 1 Cable 5 m, extension
- 12-0661 1 Offset hub for Laser transmitter
- 12-0385 1 Laser transmitter bracket for sterntube
- 12-0341 1 Self centering detector bracket for diameter 300–1200 mm
- 12-0588 1 Large target E-series
- 12-0013 1 Magnet base
- 12-0059 1 Set of rods (4x60 mm)
- 01-0938 2 Rods 30 mm
- 01-0873 4 Rods 120 mm
- 01-0044 2 Rods 240 mm
- 12-0495 1 Shoulder strap for Display unit
- 05-0685 1 Manual (Note: Refers to English manual)
- 03-0842 1 Measuring tape 5 m
- 03-0914 1 USB Memory stick with documentation
- 03-0822 1 USB Cable
- 03-1243 1 Battery charger (100–240 V AC)
- 03-0967 1 Hexagon wrench set
- 03-0878 1 Cleaning cloth for optics
- 12-0685 1 Carrying case Linebore B

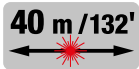
Examples of accessories:

- 12-0187 1 Magnetic bracket for D75
- 12-0282 1 Set of extension arms
- 03-1004 1 Thermal printer
- 12-0022 1 Laser transmitter D22
- 12-0455 1 Slide bracket Small
- 12-0543 1 Slide bracket Medium
- 12-0510 1 Slide bracket Large
- 03-0769 1 Aluminium extension beam L=500 mm
- 03-0770 1 Aluminium extension beam L=600 mm
- 03-0771 1 Aluminium extension beam L=1100 mm

Note: always check number of items included for each Part No. before ordering.

Complete system:

Weight: 32.0 kg [70.5 lbs]
 WxHxD: 1260x550x220 mm [4.6x21.6x8.7"]



Easy-Laser® E950-C Bore alignment

Part No: 12-0772

Bore alignment with the highest reliability and precision

Easy-Laser® E950-C is primarily designed for diesel engines, compressors, gearboxes and similar applications. This system is much like the E950-A, but has for example instead the round detector E9. One of the brackets has a width of 25 mm [0.99"] to fit in narrow bearing journals. Measures bores diameter 80–500 mm [3.15–19.68"] as standard, and down to 50 mm [2.00"] with customized brackets.

Easy-Laser® E950 makes checking and aligning bearings and bearing journals easier thanks to wireless detectors and versatile brackets. A large colour display with clear graphics and software that guides the user through the entire measurement process contributes to simple operation. The system automatically calculates the bearing journals positions in relation to each other, both horizontally and vertically. You can then evaluate the results directly on-site with different calculation methods such as Best fit around zero and Waviness. It is also possible to analyse the different choices of reference points and set the offset and tolerance values.

A great feature is the check of ovality, for example, to analyse the wear rate. The measurement system takes care of all these complicated calculations for you. You measure and align both full and half bearing journals with equal simplicity. The wireless detector eliminates uncertain factors such as cable pull. All parts are designed for maximum accuracy and stability, and measure with a resolution of 0.001 mm [0.05 mils]. Measurement distance up to 40 m [130 feet]. Easy-Laser® E950 is suitable for use both in production and out in the field.

Also straightness of shafts

With the systems, you can also measure the straightness of shafts, foundations, etc. without any additional accessories. With additional accessories extruder machines can also be measured.

A complete system contains:

- 12-0418 1 Display unit E-series E51
- 12-0075 1 Laser transmitter D75
- 12-0759 1 Detector E9, 2-axis
- 12-0074 1 Cable 2 m
- 12-0108 1 Cable 5 m, extension
- 12-0661 1 Offset hub for Laser transmitter
- 12-0384 1 Set of offset hub arms for diameters 100–500 mm
- 12-0154 1 Set of magnets for offset hub arms
- 12-0990 1 Adjustable magnet for offset hub arms
- 12-0768 1 Slide bracket, Width 25 mm, Min. Diameter 80 mm
- 12-0767 1 Rod adapter with built in target
- 12-0455 1 Slide bracket Small
- 12-0543 1 Slide bracket Medium
- 12-0510 1 Slide bracket Large
- 12-0013 1 Magnet base
- 12-0059 1 Set of rods (4x60 mm)
- 01-0938 2 Rods 30 mm
- 01-0873 4 Rods 120 mm
- 01-0044 2 Rods 240 mm
- 12-0495 1 Shoulder strap for Display unit
- 05-0685 1 Manual (Note: Refers to English manual)
- 03-0842 1 Measuring tape 5 m
- 03-0914 1 USB Memory stick with documentation
- 03-0822 1 USB Cable
- 03-1243 1 Battery charger (100–240 V AC)
- 03-0967 1 Hexagon wrench set
- 03-0878 1 Cleaning cloth for optics
- 12-0782 1 Carrying case

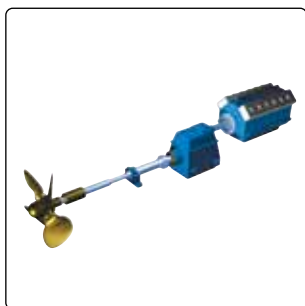
Examples of accessories:

- 12-0553 1 Bore bracket adapter plate
- 12-0314 1 Detector arms Linebore
- 12-0752 1 Detector E7 reference detector
- 12-1336 1 Wireless unit
- 01-0777 1 Tube adapters (manufactured on request to specified diameter)
- 12-0792 1 Set of extension rods for Tube measurements
- 12-0187 1 Magnetic bracket for D75
- 12-0282 1 Set of extension arms
- 12-0580 1 Axial extension arms
- 03-1004 1 Thermal printer
- 12-0022 1 Laser transmitter D22

Note: always check number of items included for each Part No. before ordering.

Complete system:

Weight: 14.3 kg [31.5 lbs]
 WxHxD: 550x450x210 mm [21.6x17.7x8.3"]



Easy-Laser® E950-D Bore alignment

Part No: 12-0954

Bore alignment with the highest reliability and precision

Easy-Laser® E950-D is primarily designed for propeller shaft installations on ships with stern tubes, support bearings, gearboxes and engines.

Easy-Laser® E950 makes checking and aligning bearings and bearing journals easier thanks to wireless detectors and versatile brackets. A large colour display with clear graphics and software that guides the user through the entire measurement process contributes to simple operation. The system automatically calculates the bearing journals positions in relation to each other, both horizontally and vertically. You can then evaluate the results directly on-site with different calculation methods such as Best fit around zero and Waviness. It is also possible to analyse the different choices of reference points and set the offset and tolerance values.

A great feature is the check of ovality, for example, to analyse the wear rate. The measurement system takes care of all these complicated calculations for you. You measure and align both full and half bearing journals with equal simplicity. The wireless detector eliminates uncertain factors such as cable pull. All parts are designed for maximum accuracy and stability, and measure with a resolution of 0.001 mm [0.05 mils]. Measurement distance up to 40 m [130 feet]. Easy-Laser® E950 is suitable for use both in production and out in the field.

Also straightness of shafts

With the systems, you can also measure the straightness of shafts, foundations, etc. without any additional accessories.

A complete system contains:

- 12-0418 1 Display unit E-series E51
- 12-0075 1 Laser transmitter D75
- 12-0752 1 Detector E7
- 12-0436 1 Wireless unit
- 12-0074 1 Cable 2 m
- 12-0108 1 Cable 5 m, extension
- 12-0661 1 Offset hub for Laser transmitter
- 12-0707 1 Arm kit with magnets
- 12-0990 1 Adjustable magnet for offset hub arms
- 12-0282 1 Extension arms Linebore
- 12-0341 1 Self centering detector bracket for diameter 300–1200 mm
- 12-0588 1 Large target E-series
- 12-0495 1 Shoulder strap for Display unit
- 05-0685 1 Manual (Note: Refers to English manual)
- 03-0842 1 Measuring tape 5 m
- 03-0914 1 USB Memory stick with documentation
- 03-0822 1 USB Cable
- 03-1243 1 Battery charger (100–240 V AC)
- 03-0792 1 Toolbox
- 03-0967 1 Hexagon wrench set
- 03-0878 1 Cleaning cloth for optics
- 12-0986 1 Carrying case Linebore D

Examples of accessories:

- 12-0823 1 E30 Long Range laser
- 12-0187 1 Magnetic bracket for D75
- 12-0282 1 Set of extension arms
- 03-1004 1 Thermal printer
- 12-0022 1 Laser transmitter D22
- 12-0455 1 Slide bracket Small
- 12-0543 1 Slide bracket Medium
- 12-0510 1 Slide bracket Large

Note: always check number of items included for each Part No. before ordering.

Complete system:

Weight: 18.3 kg [40.3 lbs]
 WxHxD: 550x450x210 mm [21.6x17.7x8.3"]



Easy-Laser® E930 Extruder alignment

Part No: 12-0788

For aligning extrusion machines

Easy-Laser® E930 is designed to measure straightness and pointing direction, primarily on extruder barrels. Another application can be hydraulic pipes for example. With the system, barrels with diameters from 50 mm to 250 mm can be measured. The actual measurable length depends on the diameter and type of barrel, therefore always consult your Easy-Laser representative for further discussions. The transmitter's laser beam can be compared to an absolutely straight and weightless ruler, that is to say a perfect starting point for precision measurement.

During the alignment procedure both detector and spindle are rotated, thus self calibrating the system. This way you can determine how the centre line of the spindle is, relative to the tube's centre at the inlet end.

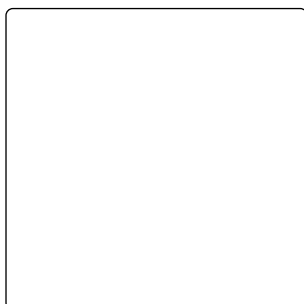
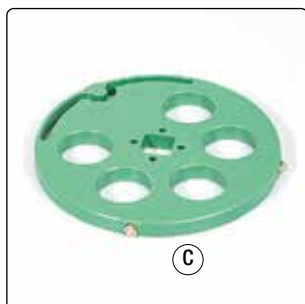
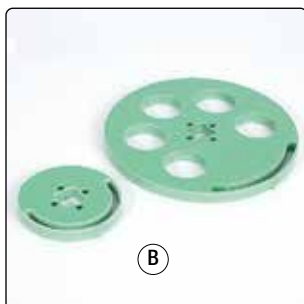
Document your measurement results

The detector's measurement value is transferred to the display unit wirelessly, which means that you can measure more freely. The measurement system has programs that guide you step-by-step, using clear graphics on a large 5.7" colour screen. You can also produce full documentation for your measurement job, with direct generation of PDF reports, and database programs for PC for example.

Complete system with all the measuring programs

Easy-Laser® E930 is a complete system in itself, with laser transmitter, detector and display unit. You can also add other parts from our extensive range to build a system that suits your specific needs and requirements.

- A. Detector with tube brackets mounted
- B. The brackets are manufactured on order to specified diameter
- C. Special brackets with metal points available on request.



A complete system contains:

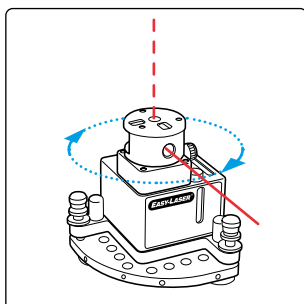
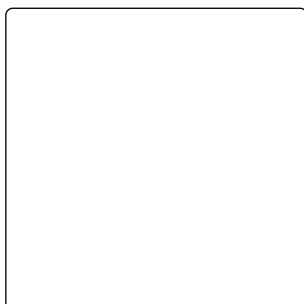
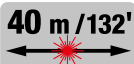
- 12-0418 1 Display unit E-series E51
- 12-0075 1 Laser transmitter D75
- 12-0759 1 Detector E9
- 12-0074 1 Cable 2 m
- 12-0108 1 Cable 5 m, extension
- 12-0187 1 Bracket for D75 with magnets
- 01-0777 (1) Set of brackets for detector (Single barrel)
- 01-2222 (1) Set of brackets for detector (Dual barrel)
- 12-0792 1 Set of extension rods for detector (6.3 m)
- 12-0810 1 Target for extruder
- 12-0495 1 Shoulder strap for Display unit
- 05-0685 1 Manual (Note: Refers to English manual)
- 03-0842 1 Measuring tape 5 m
- 03-0914 1 USB Memory stick with documentation
- 03-0822 1 USB Cable
- 03-1243 1 Battery charger (100–240 V AC)
- 03-0967 1 Hexagon wrench set
- 03-0878 1 Cleaning cloth for optics
- 12-0811 1 Carrying case

(1)=Included depending on customer choice.

Examples of accessories:

- 12-0767 1 Rod adapter with built in target
- 12-0022 1 Laser transmitter D22
- 12-0553 1 Bore bracket adapter plate
- 12-0314 1 Detector arms Linebore
- 03-1004 1 Thermal printer

Note: always check number of items included for each Part No. before ordering.



Easy-Laser® E920 Geometric

Part No: 12-0771

Measurement system for all types of geometric measurement

This system can be used to carry out all the most common geometric measurements; straightness, flatness, squareness, plumb and level. Measurement is quick and precise. Displayed resolution is 0.001 mm [0.05 mils]. The laser transmitter is our well known big seller, the D22 with levelling table, strong magnetic feet, and a range of up to 40 m. The transmitter's laser beam can be compared to an absolutely straight and weightless ruler, that is to say a perfect starting point for precision measurement. The swivelling laser head gives a laser plane parallel to the measured object and can also angle the laser beam 90° to the sweep for squareness measurement.

The display unit has a large and clear 5.7" colour screen. The programs guide you step-by-step through the measuring process, which makes it easy even for inexperienced users. The system can provide full documentation, with direct generation of PDF reports, and database programs for PC for example. The detector transfers the measurement data to the display unit wirelessly, or by cable if required. The advantages of wireless are especially clear on mechanical constructions and objects where cables can snag or get in the way.

The most common method is to fix the laser transmitter to the measurement object using the mounting magnets, or mounting it on a tripod (accessory) to one side. A pin is also provided to secure the laser transmitter to a machine spindle or equivalent, to check straightness and spindle alignment for example.

Easy-Laser® E920 is a complete system in itself, with laser transmitter, detector and display unit. But it is also an excellent starting point for creating a measurement system that suits your specific needs and requirements, because all the measurement programs are included as standard! Add extra laser transmitters, measuring units and brackets as well as other accessories from the wide Easy-Laser® range. Now or in the future.

A complete system contains:

- 12-0418 1 Display unit E51
- 12-0022 1 Laser transmitter D22 incl. tilt table
- 12-0752 1 Detector E7
- 12-0436 1 Wireless unit
- 12-0074 1 Cable 2 m
- 12-0108 1 Cable 5 m, extension
- 01-1333 1 Machine/magnet base pin for D22
- 12-0045 1 Magnet base with turnable head
- 12-0544 2 Targets for rough alignment
- 01-1165 1 Offset bracket
- 01-0043 6 Rods 60 mm
- 01-0873 6 Rods 120 mm
- 05-0685 1 Manual (Note: Refers to English manual)
- 03-0842 1 Measuring tape 5 m
- 03-0914 1 USB memory stick with documentation
- 03-0822 1 USB cable
- 03-1243 1 Battery charger (100–240 V AC)
- 03-0967 1 Hexagon wrench set
- 12-0495 1 Shoulder strap for Display unit
- 03-0878 1 Cleaning cloth for optics
- 12-0781 1 Carrying case

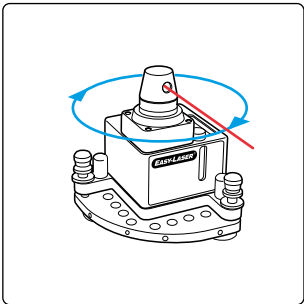
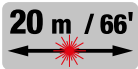
Examples of accessories:

- 12-0759 1 Detector E9, 2-axis
- 12-1053 1 XT190 BTA
- 03-1004 1 Thermal printer
- 12-0455 1 Slide bracket Small
- 12-0543 1 Slide bracket Medium
- 12-0510 1 Slide bracket Large
- 12-0269 1 Tripod
- 12-1136 1 Angular prism
- 01-2232 1 Tripod adaptor for Angular prism
- 03-1406 1 Safety strap Bahco 3875-LY2

Note: always check number of items included for each Part No. before ordering.

Complete system:

Weight: 12.3 kg [27.1 lbs]
 WxHxD: 550x450x210 mm [21.6x17.7x8.3"]



Easy-Laser® E915 Flange Spin

Part No: 12-0526

Measure flatness easily with spinning laser

This system is mainly for wind turbine tower producers who want to measure flatness of flanges. Similar applications can be e.g. slewing bearings. You can see the result as a true 3D image in the display unit directly after measuring. Then evaluate the result easily with different calculation settings, for example three point reference, best fit or all positive. This can also be done directly on site without having to stop to go to a PC with separate analysis programs, which was the case previously. This makes production much more efficient.

The system includes laser transmitter D23 Spin with power rotating head. This is how it works in brief: The laser beam from the transmitter rotates constantly and creates a reference plane over the entire measurement object. Measurements are performed quicker as you do not have to align the beam for each new measurement position. You place the detector at the desired measurement points and register the reading by a push of a button. In principle, one person can perform the measurement themselves. It is then possible to generate a PDF report containing graphs and measurement data directly from the measurement system's display unit. All information about the measurement object is documented.

Includes the sectional measurement flatness program*. A tower section with diameter over 4 meters represents a significant weight. This weight causes the flanges to deform when the sections are manufactured. With sectional measurement program the flatness is measured in four sections which are mathematically merged into a full circle, which solves this measurement problem. The program also makes it possible to perform the complete measurement on ground. No climbing on ladders or skylift is therefore required. With traditional methods the operator has to work on hazardous high levels, and often more men are needed.

*The sectional measurement flatness program is patented in Sweden, Germany, China and USA.

A complete system contains:

- 12-0418 1 Display unit E-series E51
- 12-0168 1 Laser transmitter D23 incl. tilt table
- 12-0509 1 Detector E5
- 12-0436 1 Wireless unit
- 12-0074 1 Cable 2 m
- 12-0108 1 Cable 5 m, extension
- 12-0321 1 Cable support
- 12-0544 3 Targets for rough alignment
- 12-0045 1 Magnet base with turnable head
- 01-0043 6 Rods 60 mm
- 01-0873 6 Rods 120 mm
- 12-0495 1 Shoulder strap for Display unit
- 05-0400 1 Manual (Note: Refers to English manual)
- 05-0545 1 Quick manual (Note: Refers to English manual)
- 03-0842 1 Measuring tape 5 m
- 03-0914 1 USB Memory stick with documentation
- 03-0822 1 USB Cable
- 03-1243 1 Battery charger (100–240 V AC)
- 03-0967 1 Hexagon wrench set
- 03-0878 1 Cleaning cloth for optics
- 12-0781 1 Carrying case

Examples of accessories:

- 03-1004 1 Thermal printer
- 12-0455 1 Slide bracket Small
- 12-0543 1 Slide bracket Medium
- 12-0510 1 Slide bracket Large
- 03-1406 1 Safety strap Bahco 3875-LY2

Note: always check number of items included for each Part No. before ordering.

Complete system:

Weight: 12.1 kg [26.7 lbs]
 WxHxD: 550x450x210 mm [21.6x17.7x8.3"]

Easy-Laser® E910 Flange

Part No: 12-0525

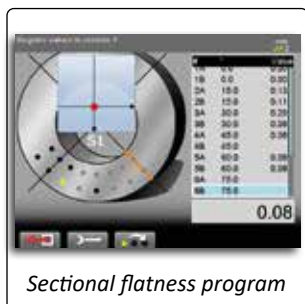
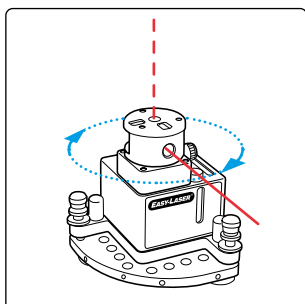
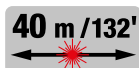
Measurement system for flange measurements

This system is mainly for wind turbine tower producers who want to measure flatness and parallelism of flanges. Similar applications can be e.g. slewing bearings. You can see the result as a true 3D image in the display unit directly after measuring. Then evaluate the result easily with different calculation settings, for example three point reference, best fit or all positive. This can also be done directly on site without having to stop to go to a PC with separate analysis programs, which was the case previously. This makes production much more efficient.

The system includes laser transmitter D22 with manual rotatable head, and with the option of deflecting the laser beam 90°. With a few more accessories the system can also be used to check the parallelism of the two tower flanges. In the measurement system's display unit it is possible to generate a PDF report containing graphs and measurement data. All information about the measurement object is documented.

Includes the sectional measurement flatness program*. A tower section with diameter over 4 meters represents a significant weight. This weight causes the flanges to deform when the sections are manufactured. With sectional measurement program the flatness is measured in four sections which are mathematically merged into a full circle, which solves this measurement problem. The program also makes it possible to perform the complete measurement on ground. No climbing on ladders or skylift is therefore required. With traditional methods the operator has to work on hazardous high levels, and often more men are needed.

**The sectional measurement flatness program is patented in Sweden, Germany, China and USA.*



Sectional flatness program

A complete system contains:

- 12-0418 1 Display unit E-series E51
- 12-0022 1 Laser transmitter D22 incl. tilt table
- 12-0752 1 Detector E7
- 12-0436 1 Wireless unit
- 12-0074 1 Cable 2 m
- 12-0108 1 Cable 5 m, extension
- 12-0321 1 Cable support
- 12-0544 3 Targets for rough alignment
- 12-0045 1 Magnet base with turnable head
- 01-0043 6 Rods 60 mm
- 01-0873 6 Rods 120 mm
- 12-0495 1 Shoulder strap for Display unit
- 05-0400 1 Manual (Note: Refers to English manual)
- 05-0545 1 Quick manual (Note: Refers to English manual)
- 03-0842 1 Measuring tape 5 m
- 03-0914 1 USB Memory stick with documentation
- 03-0822 1 USB Cable
- 03-1243 1 Battery charger (100–240 V AC)
- 03-0967 1 Hexagon wrench set
- 03-0878 1 Cleaning cloth for optics
- 12-0781 1 Carrying case

Examples of accessories:

- 03-1004 1 Thermal printer
- 12-0455 1 Slide bracket Small
- 12-0543 1 Slide bracket Medium
- 12-0510 1 Slide bracket Large
- 12-0269 1 Tripod
- 12-1136 1 Angular prism
- 01-2232 1 Tripod adaptor for Angular prism
- 03-1406 1 Safety strap Bahco 3875-LY2

Note: always check number of items included for each Part No. before ordering.

Complete system:

Weight: 12.1 kg [26.7 lbs]
 WxHxD: 550x450x210 mm [21.6x17.7x8.3"]

[This page left blank intentionally]



PARTS

| XT |



XT12 Display unit

Part No: 12-1291

Description: Wireless display unit for Generation XT. Rugged design, shock proof, IP66 and IP67. Glove enabled touch screen. Water and dust proof connectors: USB A, USB C, HDMI, Charger.

Note: When ordering this item, Shoulder strap Part No. 12-0997 will automatically be added.

The XT12 is not approved for Ex/ATEX areas. Charger is not included.

| XT |



XT12 Display unit with IR Camera

Part No: 12-1292

Description: Wireless display unit for Generation XT. Rugged design, shock proof, IP66 and IP67. Glove enabled touch screen. Water and dust proof connectors: USB A, USB C, HDMI, Charger.

With built-in thermal camera (IR).

Note: When ordering this item, Shoulder strap Part No. 12-0997 will automatically be added.

The XT12 is not approved for Ex/ATEX areas. Charger is not included.

| XT |



Removal of camera on XT12 Display unit

Part No: 12-1362

Description: If you for security reasons don't want a camera on your XT12, please order 12-1291 + 12-1362 Removal of camera.

Note: Only possible for new purchases, no retrofit.

| XT |



ECOM Tab-Ex® 03 DZ1 – Display unit for Generation XT, Intrinsically safe, EX/ATEX approved

Part No: 12-1327

Description: Wireless display unit for Generation XT, especially the XT50-M/S Ex/ATEX approved shaft alignment measuring units. Rugged design, with glove enabled touch screen.

Note: For Zone 1/21 & DIV1, not mining. Charger is included.

For more detailed information, please see the ecom web site: <https://www.ecom-ex.com>

| E |



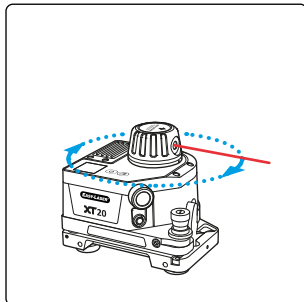
Display unit E-series: E51

Part No: 12-0418

Description: Available in different measurement program configurations. Which programs are available depends on in which system the display unit is included. Connectors: USB A, USB B, Easy-Laser® equipment, Charger.

Note: Dust and splash guard for connectors open on picture to the right. The look of the display unit keyboard can vary depending on market. Charger is not included.

| XT | D* | E* |



Laser transmitter XT20

Part No: 12-1272 (only transmitter)

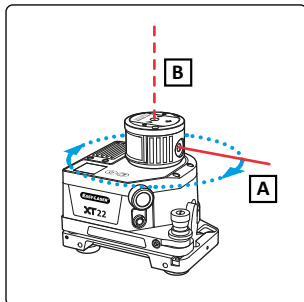
Part No: 12-1293 (Kit in case, incl. Multibracket and charger/cables)

Description: Laser transmitter XT20 can be used to measure flatness and straightness. The laser beam can sweep 360° with a measurement distance of up to 20 metres [66'] in radius.

Can also be used with D- and E-series systems, but with limitations. Please also see *Technical specifications* at the end of this catalogue.

Note: The laser beam is used only for a 360° sweep.

| XT | D* | E* |



Laser transmitter XT22

Part No: 12-1273 (only transmitter)

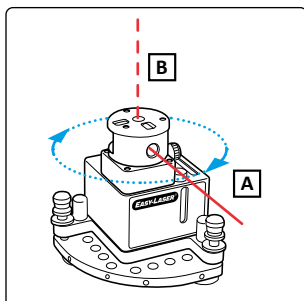
Part No: 12-1294 (Kit in case, incl. Multibracket and charger/cables)

Description: Laser transmitter XT22 can be used to measure flatness, straightness, squareness and parallelism. The laser beam can sweep 360° with a measurement distance of up to 40 metres [132'] in radius.

Can also be used with D- and E-series systems, but with limitations. Please also see *Technical specifications* at the end of this catalogue.

Note: Option A. The laser beam is used for a 360° sweep.

Option B. The laser beam is pointed 90° to the sweep.



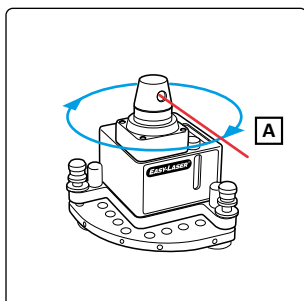
Laser transmitter D22 Swivel

Part No: 12-0022

Description: Laser transmitter D22 can be used to measure flatness, straightness, squareness and parallelism. The laser beam can sweep 360° with a measurement distance of up to 40 metres [130'] in radius. For specifications, please see *Technical specifications* at the end of this catalogue. Tilt table and tool kit included.

Note: Option A. The laser beam is used for a 360° sweep.

Option B. The laser beam is angled at 90° to the sweep.



Laser transmitter D23 Spin

Part No: 12-0168

Description: Laser transmitter D23 has a motor driven, rotating head that gives a 360° laser plane. Because the laser beam sweeps across the surface you do not need to align the beam for every detector position. Tilt table and tool kit included.

Measurement distance up to 20 metres [65'] in radius.

Note: A. The laser beam is used for a 360° sweep.



Laser transmitter D75

Part No: 12-0075

Description: For measuring straightness and spindle direction. M6 threads on ends and sides offer alternative mounting options. Measurement distance 40 m [130'].

Note: With tilting screws for laser beam angle adjustment.



Laser transmitter D25

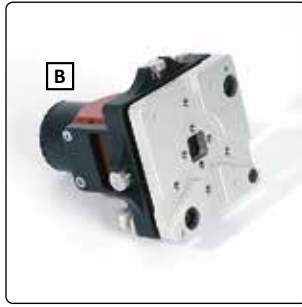
Part No: 12-0594

Description: For measuring straightness primarily in turbine applications. Measurement distance 40 m [130']. The laser beam can sweep 360°, and can be angled 90° to the sweep.

Note: Battery adaptor included. Brackets, arms and/or offset hub may also be needed, but are not included. See also 12-0706.

Option A. The laser beam is used for a 360° sweep.

Option B. The laser beam is angled at 90° to the sweep.



Laser transmitter D25 with offset hub

Part No: 12-0706

Description: For measuring straightness primarily in turbine applications. Measurement distance 40 m [130']. The laser beam can be angled 90° to the sweep, within 0.01 mm/m [0.5 mils/INCH].

Note: Battery adaptor (not pictured) and offset hub included. Brackets/arms may also be needed, but are not included. See also 12-0594.

A. Transmitter mounted to point laser through hub.

B. Transmitter mounted to point laser in opposite direction.



Laser transmitter E30 Long Range

Part No: 12-0823

Description: For measuring straightness on long distances. Measurement distance 100 m [328'] with a 20 mm PSD, >200 m [656'] with 30 mm PSD. M6 threads on front and bottom offer alternative mounting options. Built-in rechargeable battery and Oled display.

Note: Coordinate table or tilt table needed for accurate functionality. No charger or bracketing included (compare with Part No. 12-0858).



Laser transmitter E30 Long Range, with tilt table

Part No: 12-0858

Description: For measuring straightness on long distances. Measurement distance 100 m [328'] with a 20 mm PSD, >200 m [656'] with 30 mm PSD. M6 threads on front and bottom offer alternative mounting options. Built-in rechargeable battery and Oled display.

Note: With tilt table (12-0864), which can be used with magnets or mounted on tripod, Battery charger 100–240 V AC (03-1243), USB memory stick with documentation, and Carrying case (12-0872).



Laser transmitter for sheave alignment systems

Part No: 12-1325

Description: Laser transmitter producing a laser line parallel to the object it is mounted to.

Note: Only transmitter as pictured, no targets included. (Complete system, see Part No. 12-1053 and 12-1332.)

| XT |

**Detector XT9, 2-axis PSD****Part No:** 12-1350

Description: Detector diameter 44 mm [1.73"]. 2 axis PSD, 20x20 mm [0.79x0.79"]. Built-in 360° electronic inclinometer. Built-in wireless communication and rechargeable battery. Charger connector on one end. Mounting threads on both ends for suitable brackets (e.g. 12-0767 and 12-1351).

Note: Make sure you have a suitable bracket!

| E |

**Detector E9, 2-axis PSD****Part No:** 12-0759

Description: Detector diameter 44 mm [1.73"]. 2 axis PSD, 20x20 mm [0.79x0.79"]. Built-in 360° electronic inclinometer. Built-in wireless communication and rechargeable battery. There is also a connector on the back side for standard "red cable" (charging and data transfer). Mounting threads on both ends, for tube adapters (01-0777) or other suitable brackets (e.g. 12-0767 and 12-0553).

Note: Make sure you have a suitable bracket!

| E |

**Detector E7****Part No:** 12-0752

Description: Detector for the E-series. 2 axis PSD, 20x20 mm [0.79"x0.79"]. Built-in 360° electronic inclinometer. Two connectors for making it possible to connect two detectors or more in series. Normally mounted on rods, but has many additional mounting possibilities thanks to threads on two sides.

Note: Optimised for fixed point laser/does not detect a spinning laser.

| E |

**Detector E5****Part No:** 12-0509

Description: Detector for the E-series. 2 axis PSD, 20x20 mm [0.79"x0.79"]. Built-in 360° electronic inclinometer. Two connectors for making it possible to connect two detectors or more in series. Normally mounted on rods, but has many additional mounting possibilities thanks to threads on two sides.

Note: With Dual Detection Technology, making it possible to read both fixed point laser and spinning laser, but is optimised for spinning laser.

| E |

**Detector E3****Part No:** 12-0799

Description: Detector for the E-series. 2 axis PSD, 30x30 mm [1.18"x1.18"]. Built-in wireless communication. Battery status indicator. Built-in 360° electronic inclinometer. One connector on top side. Normally mounted on rods, but also has additional mounting threads on back side.

Note: Target/Dust cover for PSD included. Does not detect a spinning laser.

| E | XT |

**XT & E-series wireless Detector for belt alignment****Part No:** 12-1054

Description: Detector that reads off the sheaves position in two directions (horizontal+vertical) at the same time. With built-in display showing offset and angular values. Note: Laser transmitter also needed.

Note: Also for wireless connection to separate display units E51 and E52 which have the BTA digital program. Or connect it to the XT Alignment App on your iOS/Android display, or Easy-Laser XT12/XT11.

A. Super magnets x 4, for attachment to sheave side.

| E |



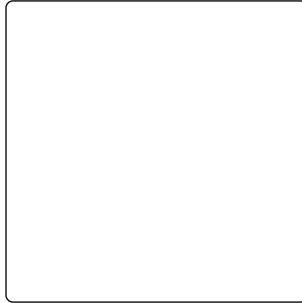
Digital Precision Level E290

Part No: 12-0846

Description: Digital precision level. Built-in OLED display and rechargeable battery.

Note: For complete kit, see Part No. 12-0857 below.

| E |



Digital Precision Level E290, complete kit

Part No: 12-0857

Description: Digital precision level (12-0846), complete kit with Battery charger 100–240 V AC (03-1243), safety strap (12-0915) and USB memory stick with documentation (03-0914).

Note: Delivered in plastic case (12-0873).

| XT |



Measuring unit XT40-M, line laser, PSD 30 mm

Part No: 12-0943

Description: Laser diode and PSD detector in one housing. Built-in wireless communication. OLED display shows battery status and angle of the unit on shaft. Built-in electronic 360° inclinometer. For shaft alignment. 1 axis PSD 30 mm [1.18"].

Note: To be used in pair with S unit 12-0944. XT-series measuring unit.

| XT |



Measuring unit XT40-S, line laser, PSD 30 mm

Part No: 12-0944

Description: Laser diode and PSD detector in one housing. Built-in wireless communication. OLED display shows battery status and angle of the unit on shaft. Built-in electronic 360° inclinometer. For shaft alignment. 1 axis PSD 30 mm [1.18"].

Note: To be used in pair with M unit 12-0943. XT-series measuring unit.

| XT |



Measuring unit XT60-M, dot laser, PSD 20x20 mm

Part No: 12-1028

Description: Laser diode and PSD detector in one housing. Built-in wireless communication. OLED display shows battery status and angle of the unit on shaft. Built-in electronic 360° inclinometer. For shaft alignment. 1 axis PSD 20x20 mm [0.79x0.79"].

Note: To be used in pair with S unit 12-1029. XT-series measuring unit.

| XT |



Measuring unit XT60-S, dot laser, PSD 20x20 mm

Part No: 12-1029

Description: Laser diode and PSD detector in one housing. Built-in wireless communication. OLED display shows battery status and angle of the unit on shaft. Built-in electronic 360° inclinometer. For shaft alignment. 1 axis PSD 20x20 mm [0.79x0.79"].

Note: To be used in pair with M unit 12-1028. XT-series measuring unit.

| XT |



Measuring unit XT50-M, EX/ATEX, dot laser, PSD 20x20 mm

Part No: 12-1026

Description: Laser diode and PSD detector in one housing. Built-in wireless communication. OLED display shows battery status and angle of the unit on shaft. Built-in electronic 360° inclinometer. For shaft alignment. 1 axis PSD 20x20 mm [0.79x0.79"].

Note: Intrinsically safe design. To be used in pair with S unit 12-1027. XT-series measuring unit. Please also read the Technical specifications!

| XT |



Measuring unit XT50-S, Ex/ATEX, dot laser, PSD 20x20 mm

Part No: 12-1027

Description: Laser diode and PSD detector in one housing. Built-in wireless communication. OLED display shows battery status and angle of the unit on shaft. Built-in electronic 360° inclinometer. For shaft alignment. 1 axis PSD 20x20 mm [0.79x0.79"].

Note: Intrinsically safe design. To be used in pair with M unit 12-1026. XT-series measuring unit. Please also read the Technical specifications!

| XT |



Measuring unit XT70-M, dot laser, PSD 20x20 mm, 2-axis

Part No: 12-1045

Description: Laser diode and PSD detector in one housing. Built-in wireless communication. OLED display shows battery status and angle of the unit on shaft. Built-in electronic 360° inclinometer. For shaft alignment. 2 axis PSD 20x20 mm [0.79x0.79"].

Note: To be used in pair with S unit 12-1046, or as a separate detector for GEO-programs. XT-series measuring unit.

| XT |



Measuring unit XT70-S, dot laser, PSD 20x20 mm, 2-axis

Part No: 12-1046

Description: Laser diode and PSD detector in one housing. Built-in wireless communication. OLED display shows battery status and angle of the unit on shaft. Built-in electronic 360° inclinometer. For shaft alignment. 2 axis PSD 20x20 mm [0.79x0.79"].

Note: To be used in pair with M unit 12-1045. XT-series measuring unit.

| XT |



Bracket accessory kit in box

Part No: 12-1378

Description: Includes 2 magnet bases (12-0013), 2 offset brackets (12-1008), 2 extension chains 12-0128), 4 rods 120 mm (01-0873), 1 box with padding (03-1697).

Note: This box/kit fits in the case for XT440, beneath display unit XT12.

Note 1: The box itself is included as standard with XT770 and XT660, but with different content. Please see each system for more info.

Note 2: With cutout to fit also 2 pcs Magnetic bracket 12-1147.

| D | E | XT* |



Magnet base

Part No: 12-0013

Description: Versatile magnet base with On/Off function and many optional rod mounting possibilities. Holding power 800N.

Note: Three sides are magnetic. *For use with XT-series offset bracket 12-1008 is also needed.

| D | E | XT* |



Magnet base with turnable head

Part No: 12-0045

Description: Versatile magnet base with On/Off function and 360° turnable head with two rod mounting possibilities.

Note: *For use with XT-series offset bracket 12-1008 is also needed.

| D | E | XT |



Magnet base with turnable head

Part No: 12-1133

Description: Versatile magnet base with On/Off function and 360° turnable head with two rod mounting possibilities, for both C-C40 mm and C-C56 mm. It has a screw and washer with which you can lock the top rotation, and therefore still use it for jobs like shaft alignment.

Note: -

| D | E |



Rotating detector bracket for rods

Part No: 12-0169

Description: Allows for 360° swivel.

Note: -

| D | E | XT |



Rotating detector bracket for rods

Part No: 12-1209

Description: Allows for 360° swivel.

Note: -

| D | E | XT |

**Magnet bracket long, with turnable head****Part No:** 12-1210**Description:** Allows for 360° swivel.**Note:** -

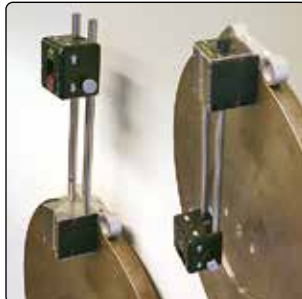
| D | E | XT |

**Magnet bracket short, with turnable head****Part No:** 12-1211**Description:** Allows for 360° swivel.**Note:** -

| D | E | XT |

**Detector bracket for centering on wire position****Part No:** 12-1262**Description:** Mainly for sawmill applications.**Note:** -

| D | E | XT |

**Radial support for magnet base****Part No:** 12-0508**Description:** Can be used for supporting the magnet base in many different ways. Makes it easier to position the detector correctly. Especially useful on flywheels.**Note:** -

| D | E |

**Pointing bracket on magnet base****Part No:** 12-0583**Description:** For wind tower flanges. Makes it possible to measure near the edge of a surface.**Note:** Probe does not touch surface. Rods and detector not included.**Extension for set square****12-1087, 295 mm****Part No:** 12-1123**Description:** Extension plate for set square Part. No. 12-1087.**Note:** -**Extension for set square****12-1087, 430 mm****Part No:** 12-1124**Description:** Extension plate for set square Part. No. 12-1087.**Note:** -



Bracket (Set square) for transmitter

Part No: 12-0503

Description: -

Note: Mainly for sawmill applications.



Magnetic brackets and rods, kit

Part No: 12-1017

Description: 2 magnetic brackets and 4pcs rods 120 mm [4.72"] in small case.

Note: -



Magnetic bracket

Part No: 12-1147

Description: For axial mounting on flanges or shafts. With M6 screws working as radial supports, and four super magnets.

Note1: For rod C-C 40 and 56 mm.

Note2: Older design of bracket on rightmost picture.



Flange clamping bracket

Part No: 12-1373

Description: For mounting on flange edge. Maximum clamping width 27 mm [1.06"]. With locking knob, radial supports, and four super magnets.

Note1: For rod C-C 56 mm.



V-bracket with chain

Part No: 12-0016

Description: For mounting on shaft or coupling. The V-bracket fits shafts with diameters 20–450 mm [0.8–17.7"]. The standard chain included can be used on shaft diameters up to 150 mm [6"]. Bracket width 18 mm [0.7"].

Note: Extension chains available for shafts larger than diameter 150 mm [6"]. Does not fit the XT series.



V-bracket with chain and rods 120 mm

Part No: 12-0963

Description: For mounting on shaft or coupling. The V-bracket fits shafts with diameters 20–450 mm [0.8–17.7"]. The standard chain included can be used on shaft diameters up to 150 mm [6"]. Chain is pre-mounted. Bracket width 18 mm [0.7"].

Note: Only for XT series. 2 pcs rods 120 mm [4.72"] included. Extension chains available [Part No. 12-1060] for shafts larger than diameter 150 mm [6"].



V-bracket with chain and rods 75 mm

Part No: 12-1366

Description: For mounting on shaft or coupling. The V-bracket fits shafts with diameters 20–450 mm [0.8–17.7"]. The standard chain included can be used on shaft diameters up to 150 mm [6"]. Chain is pre-mounted. Bracket width 18 mm [0.7"].

Note: Only for XT series. 2 pcs rods 75 mm [2.95"] included. Extension chains available [Part No. 12-1060] for shafts larger than diameter 150 mm [6"].

| XT |



V-bracket with stainless steel chain and rods

Part No: 12-1040

Description: For mounting on shaft or coupling. The V-bracket fits shafts with diameters 20–450 mm [0.8–17.7"]. The standard chain included can be used on shaft diameters up to 150 mm [6"]. Chain is pre-mounted. Bracket width 18 mm [0.7"].

Note: Only for XT series. 2 pcs rods 120 mm [4.72"] included. Extension chains available [Part No. 12-1038] for shafts larger than diameter 150 mm [6"].

| D | E | XT |



Standard chains

Part No: 12-0625

Description: Standard chains for shaft alignment brackets.

Note: 2 pcs. Includes plastic box.

| D | E | XT |



Extension chain, set

Part No: 12-0128

Description: For standard chains. For shaft diameters 150–450 mm [5.9–17.7"].

Note: 2 pcs. included, with plastic box.

| E | XT |



Extension chain, set

Part No: 12-1060

Description: For standard chains. For shaft diameters 150–450 mm [5.9–17.7"].

Note: 2 pcs. included, with plastic box.

| XT |



Extension chain stainless steel, set

Part No: 12-1038

Description: For extension of stainless steel chains. For shaft diameters 150–450 mm [5.9–17.7"].

Note: 2 pcs. included, with plastic box.

| D | E | XT |



Thin chain bracket

Part No: 12-1012

Description: For use for example when the space between coupling and machine is limited. Width: 12 mm [0.5"]. For shaft diameters 20–450 mm [0.8–17.7"].

Note: Includes thin chain and tightening tool. Photos show old threadings, but are otherwise correct.

| D550 |



Shaft bracket with chain, stainless steel

Part No: 12-0337

Description: Bracket mainly for use with the D550 system which has a rod C-C of 70 mm. Pre-mounted chain and rods. For shaft diameters 20–150 mm [0.8–5.9"].

Note: -

| D550 |



Extension chain, stainless steel

Part No: 12-0363

Description: For use together with 12-0337. For shaft diameters 150–320 mm [5.9–12.6"]. Two extension chains: –500 mm [–19.6"]

Note: 1 pc. included. Does not fit with standard chains.

| D | E |



Offset bracket

Part No: 01-1165

Description: Allows axial displacement between measuring units to be able to rotate past projecting machine parts. For both E and D series.

Note: 2 screws M6x16 also needed (Part No. 03-0045). V-bracket and rods not included.

| D | E | XT |



Offset bracket

Part No: 12-1008

Description: Allows axial displacement between measuring units to be able to rotate past projecting machine parts. Also works as a converter between rod C-C 40 mm (D and E series) and C-C 56 mm (XT series) so older brackets can be used.

Note: 2 screws M6x16 included.

| XT | E |



DM Bracket, complete set

Part No: 12-1130

Description: For measuring dynamic movements. Includes 2 pcs DM brackets, 4 pcs mounting plates, 2 pcs bolt mounting plates, glue Lock-tite 4070, 4 pcs screw M8x20, hexagon wrench 6 mm, Quick Manual. Delivered in plastic case.

Note: -

| XT | E |



DM Bracket

Part No: 12-1125

Description: For measuring dynamic movements. For complete set, please see Part No. 12-1130 instead.

Note: Measuring unit not included.

| XT | E |



DM Bracket extension

Part No: 12-1129

Description: Extension for bracket 12-1125. For complete set, please see Part No. 12-1130 instead.

Note: Parts included as pictured on leftmost picture.

| D | E | XT |



Sliding bracket

Part No: 12-1010

Description: For shaft alignment. The spherical feet can be placed in two different positions for adaption to small or large shaft diameters. Min./Max. diameters 90–600 mm [3.5–23.6"]. Used when the shafts cannot be rotated. Mounted with standard chains (not included).

Note: Photos show old threadings, but are otherwise correct.

| D | E |



Sliding bracket with magnets

Part No: 12-0303

Description: The spherical feet can be placed in two different positions for adaption to small or large shaft diameters. With attachment magnets. Can also be mounted with standard chains (not included).

Note: -

| D | E |



Sliding bracket with magnets and probe

Part No: 12-0138

Description: For plumb measurement of e.g. generator shafts. The spherical feet can be placed in two different positions for adaption to small or large shaft diameters. With attachment magnets. Can also be mounted with standard chains (not included).

Note: -

| D | E |



Sliding bracket with turnable head

Part No: 12-0137

Description: For roll parallelism measurement. The spherical feet can be placed in two different positions for adaption to small or large roll diameters. With attachment magnets. Can also be mounted with standard chains (not included).

Note: -

| E | XT |



Cardan bracket set

Part No: 12-1151

Description: For alignment of cardan/offset mounted machines. Offset range 0–900 mm.

Note: Delivered in plastic carrying case. For XT- and E-series. Please see rightmost picture for example of attachment for E or XT unit. Weight: 8 kg [17.6 lbs], WxHxD: 500x380x140 [19.7x15.0x5.5"]

| D | E | XT |



Rod, 30 mm [1.18"]

Part No: 01-0938

Description: Stainless steel. Diameter 10 mm. Extendable.

Note: 1 pcs.

| D | E | XT |



Rods, 60 mm [2.36"]

Part No: 12-0059

Description: Stainless steel. Diameter 10 mm. Extendable. Plastic holder included.

Note: 4 pcs.

| D | E | XT |

**Rods, 75 mm [2.95"]****Part No:** 12-1161

Description: Stainless steel.
Diameter 10 mm. Extendable.
Plastic holder included.

Note: 4 pcs.

| D | E | XT |

**Rods, 120 mm [4.72"]****Part No:** 12-0987

Description: Stainless steel.
Diameter 10 mm. Extendable.
Plastic holder included.

Note: 4 pcs.

| D | E | XT |

**Rods, 120 mm [4.72"]****Part No:** 12-0324

Description: Stainless steel.
Diameter 10 mm. Extendable.
Plastic holder included.

Note: 8 pcs.

| D | E | XT |

**Rods, 240 mm [9.44"]****Part No:** 12-0060

Description: Stainless steel.
Diameter 10 mm. Extendable.
Plastic holder included.

Note: 4 pcs.

| D | E | XT |

**Tube adapters for detector E9/XT9****Part No:** 01-0777

Description: Adapters mainly for mounting of detector when used for extruder measurements. For use in single barrels.

Note: Manufactured on request to your specified diameter from 50 mm [1.97"] up to 250 mm [9.84"]. 2 pcs included. Includes items as pictured leftmost.

| D | E | XT |

**Tube adapters for detector E9/XT9, for dual barrels****Part No:** 01-2222

Description: Adapters mainly for mounting of detector when used for extruder measurements. These adapters are designed specifically for use in dual barrels.

Note: Manufactured on request to your specified diameter from 50 mm [1.97"] up to 250 mm [9.84"]. 2 pcs included. Includes items as pictured leftmost.

| D | E | XT |

**Tube adapters with metal points****Part No:** 12-1346

Description: Adapters mainly for mounting of detector E9/XT9 and used for extruder measurements. With metal points of your choice and adapted for your application.

Note: Manufactured on request to your specified diameter from 50 mm [1.97"] up to 250 mm [9.84"]. 2 pcs included.

| E | XT |

**Extension Kit for precision level for large diameters****Part No:** 12-0901

Description: For using the E290 or XT290 Precision Level on diameters 55–800 mm [2.16–31.50"].

Note: Includes 2 legs, 4 magnets and mounting screws.

| E |



Slide bracket Width 25 mm [0.99"]

Part No: 12-0768

Description: Bracket for straightness measurement of bores with a width of down to 25 mm [0.99"]. For bores diam. 80– mm [3.15"–]. Magnetic feet holds the bracket safely also upside down. With positioning guide (extended on picture to the right). Guide can be removed.

Note: Designed to fit with rod adapter 12-0767 and detectors E9/XT9. If used with other detectors and adapters, it is those which determines the minimum measurable diameter.

| E | XT |



Rod adapter with built in target C-C 40 mm

Part No: 12-0767

Description: For detector E9 and XT9. With slidable target. For mounting of the detector on regular rods with 40 mm center-to-center distance. Can be used on Slide bracket 12-0768 or any other suitable bracket.

Note: Detector not included.

| E | XT |



Rod adapter with built in target C-C 56 mm

Part No: 12-1351

Description: For detector E9 and XT9. With slidable target. For mounting of the detector on regular rods with 56 mm center-to-center distance. **Note:** Detector not included.

| D | E | XT |



Slide bracket Small

Part No: 12-0455

Description: For bore straightness measurement. With magnetic feet.

Note: For information on measurable diameters, please see section *Technical specifications*.

| D | E | XT |



Slide bracket Medium

Part No: 12-0543

Description: For bore straightness measurement. With magnetic feet.

Note: For information on measurable diameters, please see section *Technical specifications*.

| D | E | XT |



Slide bracket Large

Part No: 12-0510

Description: For bore straightness measurement. With magnetic feet.

Note: For information on measurable diameters, please see section *Technical specifications*.

| D | E | XT |



Small magnet base with turnable head

Part No: 12-0696

Description: With On/Off function and 360° turnable head. Removable rotation lock screw included.

Note: Includes 2 rods 75 mm [2.95"].

| D | E | XT |



Axial support for Slide bracket

Part No: 12-1368

Description: For mounting on slide brackets Small, Medium and Large. Includes 2 screws for the countersunk holes as pictured. Slide bracket not included.

Note: For information on measures, please see section *Technical specifications*.

| D | E |



Foot set for linebore arms

Part No: 12-0134

Description: For use with linebore detector arms. Included in 12-0314.

Note: -

| D | E |



Foot set for diameter 120–150 mm

Part No: 12-0143

Description: For use with linebore detector 12-0032 and bracket 12-0553. Included in 12-0314.

Note: -

| D | E |



Bore bracket adapter plate

Part No: 12-0553

Description: Bracket for use with detector D5, D157 or E9.

Note: Detector and arm set not included. Suitable Arm set is Part No. 12-0314. Detector D5 and D157 is discontinued.

| D | E |



Detector arms Linebore

Part No: 12-0314

Description: For bracket 12-0553. For bores diameter 120–500 mm [4.72–19.68"], with the possibility to use the longest three arms as extension arms.

Note: Also includes Foot set 12-0134 and 12-0143 (the rightmost picture).

| D | E | XT |



Offset hub with counterlock

Part No: 12-0661

Description: For laser transmitter D75, Part No. 12-0075.

Note: -

| D | E |



Offset hub with counterlock and tilt function

Part No: 12-0537

Description: For laser transmitter D25, Part No. 12-0594.

Note: -

| E |



Offset hub with counterlock and tilt function for transmitter E30

Part No: 12-0828

Description: For laser transmitter E30, Part No. 12-0823.

Note: -

| D | E | XT |

**Arm kit with magnets****Part No:** 12-0707**Description:** For offset hub 12-0661 and 12-0537. Arms for bores diameter 100–500 mm [3.94–19.68"].**Note:** -

| D | E | XT |

**Offset hub arms****Part No:** 12-0384**Description:** For offset hub 12-0661 and 12-0537. For bores diameter 100–500 mm [3.94–19.68"]. Also includes centering plug.**Note:** -

| D | E | XT |

**Extension arms Linebore****Part No:** 12-0282**Description:** For extension of the Linebore offset hub arms. For bores diameter 500–1000 mm [19.68–39.36"]**Note:** -

| D | E | XT |

**Magnets for offset hub arms****Part No:** 12-0154**Description:** For arms 12-0384. With plastic holder.**Note:** -

| D | E | XT |

**Adjustable magnet for offset hub arms****Part No:** 12-0990**Description:** To use when the mounting surfaces for the hub arms aren't in same level. Adjustable 0–14mm [0–0.55"] compared to standard magnet level.**Note:** -

| D | E | XT |

**Axial extension arms, Linebore****Part No:** 12-0580**Description:** Used for making it possible to reach the Linebore detector from the same side of the bore as the transmitter.**Note:** 3 arms with magnets etc. as pictured on the left picture.

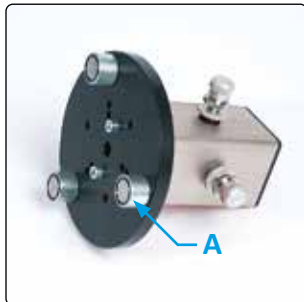
| D | E |

**Laser transmitter bracket Turbine/Bore alignment****Part No:** 12-0385**Description:** For use with offset hub 12-0661 and laser transmitter D75. Included in system E950-B, E960-A, E960-B. 2 aluminium beams, length 1100 mm and 500 mm.**Note:** Transmitter and hub not included.

| D | E | XT |

**Rod bracket for laser D75****Part No:** 12-0149**Description:** For mounting of laser transmitter D75 on standard rods. Laser beam can point from the bracket or through the bracket.**Note:** -

| D | E |



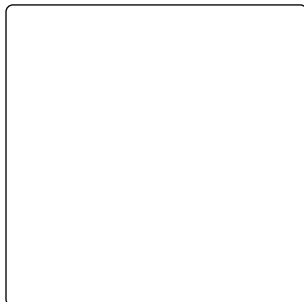
Bracket for laser D75

Part No: 12-0187

Description: To use on shaft ends, flywheels etc. Laser beam can point from the bracket or through the bracket.

Note: A. 3 super magnets.

| X T |



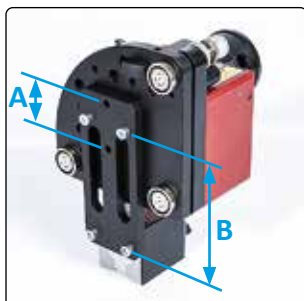
Multi bracket for XT laser transmitters

Part No: 12-1275

Description: For more mounting possibilities of the laser transmitters.

Note: For XT20 and XT22. The set of mounting screws for XT laser-transmitter (Part No. 12-1300) might also be needed if you do not already have it. Please see the *Technical specification* pages for example of use.

| D | E |



Adapter plate for tilt table to magnet base

Part No: 12-0874

Description: For mounting D22 laser transmitter on a magnet base, or a magnet base with turnable head. Possible to turn unit 90° on bracket (mount in holes A instead).

Note: 4 screws M6x16 also needed (not included).

A: C-C=40 mm

B: C-C=106 mm

| D | E |



Tilt table

Part No: 12-0110

Description: Tilt table mainly for transmitter D26, D22 and D23, but can also be used together with transmitter D75, for example.

Note: Tool kit 12-0622 is *not* included (as before) but instead has to be ordered separately.

| D | E |



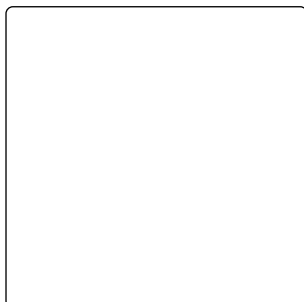
Tilt table, turnable

Part No: 12-0864

Description: Tilt table mainly for transmitter E30 Long Range. For fine adjustment of horizontal and vertical angle. Can be used with magnets or mounted on tripod.

Note: -

| D | E |



Tool kit for tilt table

Part No: 12-0622

Description: Tool kit for Tilt table Part No. 12-0110. Safety strap screw (01-1402), Machine/magnet base pin (01-0139), set of Hexagon wrenches, Rod tightening tool (03-0048), Feet with flat points (3 pcs).

Note: Safety strap is separate part. Safety regulations differ from country to country.

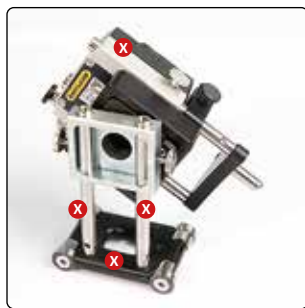
| D | E |

**Magnet base pin for D22 and D26, short****Part No:** 01-0139**Description:** Clamping pin diameter 16 mm [0.63"], clamping length 30 mm [1.18"].**Note:** This pin is included in the tilt table tool kit.

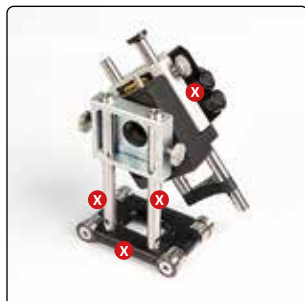
| D | E | XT |

**Magnet base pin for D22/D26/XT20/XT22, Long****Part No:** 01-1333**Description:** Clamping pin diameter 20 mm [0.79"], clamping length 60 mm [2.36"].**Note:** Also for laser transmitters XT20/XT22 when used with Multi bracket Part No. 12-1275.

| XT |

**Bracket with rotatable bore probe, XT-series****Part No:** 12-1277**Description:** For bore measurements. Smallest diameter 220 mm [8.67"] when mounted as pictured. This is just one example of how the bracket can be assembled, and other magnetic or non-magnetic brackets with C-C 56 mm can also be used. The detector unit can be turned, allowing the laser beam to pass through the hole in the bracket and hit the PSD. Includes 2 rods 30 mm and 4 rods 60 mm (not pictured).**Note:** Items marked with X is *not* included.

| E |

**Bracket with rotatable bore probe, E-series****Part No:** 12-1282**Description:** For bore measurements. Smallest diameter 170 mm [6.70"] when mounted as pictured. This is just one example of how the bracket can be assembled, and other magnetic or non-magnetic brackets with C-C 40 mm can also be used. The detector unit can be turned, allowing the laser beam to pass through the hole in the bracket and hit the PSD. Includes 2 rods 30 mm and 4 rods 60 mm (not pictured).**Note:** Items marked with X is *not* included.

| D | E |

**Self centering bracket, Linebore****Part No:** 12-0341**Description:** For sterntube measurement. Smallest diameter 300 mm [11.81"]. Includes extension beams and rods for diameters up to 1200 mm [47.24"].**Note:** Includes items as pictured leftmost. No detector included.

| D | E |

**Detector bracket "short stroke", Turbine****Part No:** 12-0438**Description:** With slidable beam. Makes it possible to reach several measurement positions without moving the entire bracket. One aluminium beam 1100 and one 600 mm included. For diameter 150–1700mm [5.9–66.9"].**Note:** Detector not included.

| E |



Detector bracket "long stroke", Turbine

Part No: 12-0715

Description: Measures diameters 200–1700 mm [7.8–67"] as standard. Stroke: 60 mm [2.36"].

Two aluminium beams 1100 mm [43.3"], one 600 mm [23.6"], rods 5x240 mm [9.44"], 4x120 mm [4.72"], 2x60 mm [2.36"], 1x30 mm [1.18"] included. For diameter 200–1700mm [7.8–66.9"].

Note: Detector not included.

| D | E |



Tube bracket

Part No: 12-0814

Description: Included with Part No. 12-0438 and 12-0715.

Note: -

| D | E |



Aluminium beam, 500 mm [19.68"]

Part No: 03-0769

Description: Cross section measures 44x44 mm [1.73x1.73"].

Note: -

| D | E |



Aluminium beam, 600 mm [23.62"]

Part No: 03-0770

Description: Cross section measures 44x44 mm [1.73x1.73"].

Note: -

| D | E |



Aluminium beam, 1100 mm [43.31"]

Part No: 03-0771

Description: Cross section measures 44x44 mm [1.73x1.73"].

Note: -

| D | E |



Connecting strip (with set screws)

Part No: 03-0633

Description: Used to extend the aluminium beams.

Note: 1 pc. It is recommended to use minimum three connecting strips (three sides).

| D | E |



Ball top probe

Part No: 12-0439

Description: Probe for turbine measurement.

Note: -

| D | E |



Short ball top probe

Part No: 12-0490

Description: Probe for turbine measurement.

Note: -

| D | E |



Measuring probe Ruby diameter 5 mm

Part No: 12-0805

Description: Probe for turbine measurement. With ruby top.

Note: -

| D | E |



Measuring probe Ruby diameter 2.5 mm

Part No: 12-0801

Description: Probe for turbine measurement. With ruby top.

Note: -

| D | E |

**Gauge block****Part No:** 03-1291**Description:** For use mainly in turbine applications. Nominal measure 8 mm [size of block 30x8x9 mm].**Note:** -

| D | E |

**Measuring probe, cylindrical****Part No:** 12-1047**Description:** For use in turbine applications.**Note:** -

| D | E |

**Centering target, Turbine****Part No:** 12-0443**Description:** For rough alignment of laser beam. 1 m + 0.5 m extension.**Note:** -

| D | E | XT |

**Tripod****Part No:** 12-0269**Description:** For use with Laser transmitter and Angular prism. Min./Max. height 500–2730 mm [19.7–107.5"]**Note:** Includes tripod head Part No. 03-1338, with 5/8-11 UNC threads.

| E |

**Parallelity kit****Part No:** 12-0203**Description:** For parallelism measurement of rolls. Includes Magnet base 12-0045, Sliding bracket 12-0137, Sliding table 12-0202, 2 x Large target base line. Delivered in plastic case.**Note:** Detector not included.

| D | E | XT |

**Sliding table for tripod****Part No:** 12-0202**Description:** Sliding table to mount on a tripod. For laser transmitters and angular prism. Mounted using 5/8-11 UNC thread .

Allows for 150 mm [5.9"] slide of the unit, for example to point the laser beam to a detector on a rod or flange without moving the tripod.

Note: Also for laser transmitters XT20/XT22 when used with Multi bracket Part No. 12-1275.

| D | E | XT |

**Angular prism Mk2****Part No:** 12-1352**Description:** Angular prism with built-in penta prism which deflects the beam 90°. With the rotatable angular prism you can reach a detector at any height on a flange or a roll when measuring parallelity. With fine turning mechanism.**Note:** Includes prism and bracket for mounting a detector/ measuring unit at the front, as pictured to the right. Angular prism rod C-C 40 mm. Bracket for detector rod C-C 40 mm and 56 mm.

| D | E |



Angular prism Mk2, kit for E-series

Part No: 12-1363

Description: Angular prism kit in rugged carrying case.

Note: Carrying case plus items as pictured leftmost included (prism, bracket for detector unit, laser transmitter alignment targets 12-1188 (small hole) 12-1261 (large hole), magnet base, sliding table for magnet base, 4 pcs rods 120 mm [4.72"]), Quick Guide. Interior precut to also fit 1 pc 12-0202 (accessory). Case measures WxHxD: 375x300x180 [14.7x11.8x7.1"], kit weight 5.0 kg [11.0 lbs].

| XT |



Angular prism Mk2, kit for XT-series

Part No: 12-1376

Description: Angular prism kit in rugged carrying case.

Note: Carrying case plus items as pictured leftmost included (prism, bracket for detector unit, XT22 laser transmitter alignment target (12-1379), magnet base, sliding table for magnet base, 4 pcs rods 120 mm [4.72"]), Quick Guide. Interior precut to also fit 1 pc 12-0202 (accessory). Case measures WxHxD: 375x300x180 [14.7x11.8x7.1"], kit weight 5.0 kg [11.0 lbs].

| XT |



Target for XT22

Part No: 12-1379

Description: Target to place on laser transmitter XT22 when pre-aligning the Angular Prism Mk2.

Note: Included as standard with 12-1376.

| D | E | XT |



Tripod adaptor for Angular prism

Part No: 01-2232

Description: To be used for mounting of Angular prism on tripod. Preferably on sliding table 12-0202 as pictured.

Note: Item as pictured leftmost included. Can be used for other applications if suitable. Rod C-C 40 and 56 mm. Note that rightmost picture shows old design of prism.

| D | E |



Sliding table for magnet base

Part No: 12-1200

Description: For precision adjustment, mainly of angular prism. For rod C-C 40 mm. To be mounted on magnet base 12-0013.

Note: Includes 4 pcs screws. Magnet base not included.

| D | E |

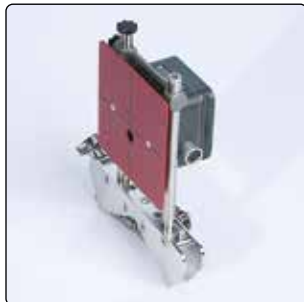


Target 100x100 mm

Part No: 12-0544

Description: Rough alignment target for flatness measurement. Adjustable height (to align with either D22 or D23) and magnet base.

| D550 |

**Target D550 cardan****Part No:** 12-0402**Description:** Large target for use when aligning cardan/offset mounted machines. The target clamps onto the front of the D550 measuring units.**Note:** -

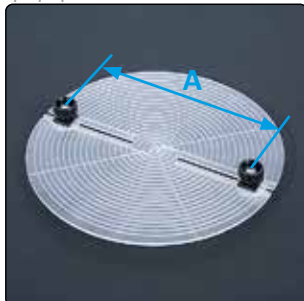
| E |

**Large target E-series****Part No:** 12-0588**Description:** The target is mounted with magnet attachment onto the front of detectors 12-0509, 12-0752 and 12-0702, as well as measuring units 12-0433 and 12-0434.**Note:** -

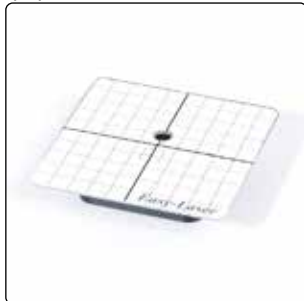
| E |

**Target E-series 20 x 20****Part No:** 12-0794**Description:** Rough alignment target for measuring units ES/EM, detectors E4, E5 and E7. Can be mounted to cover laser opening, functioning as dust cover and protection. With reflective centre point.**Note:** Only one target included per Part No., i.e. if you order targets for a pair of measuring units, you will need two 12-0794.

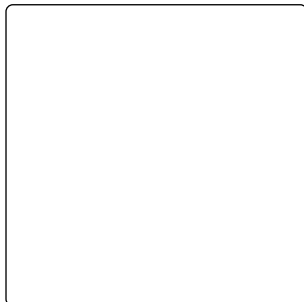
| D | E |

**Large target extruder****Part No:** 12-0810**Description:** Transparent target with adjustable magnets for mounting on tube end. Splits in two, to fit in the transportation case.**Note:** A=Min.–Max. diameter 45–200 mm [1.77–7.87"] approximately. Target diameter 200 mm [7.87"]

| D |

**Target cardan****Part No:** 12-0139**Description:** Large target for use when aligning cardan/offset mounted machines. The target clamps onto the front of the D-series measuring units.**Note:** -

| E |

**Wireless unit (Version 1)****Part No:** 12-0436**Description:** Unit for wireless communication. No internal battery.**Note:** For all E-series units: Part No. 12-0702, 12-0752, 12-0434, 12-0433, 12-0789, 12-0790 and 12-0824.

| E |

**Splitter cable B, for charging****Part No:** 12-0725**Description:** To connect two Easy-Laser® units when charging.**Note:** Only for charging, the cable cannot be used to transfer any measurement data. Not for use with 12-0738.

| E |

**Splitter cable A, for charging two 12-0738****Part No:** 12-0728**Description:** For charging two wireless units with battery, Part No. 12-0738.**Note:** Only for charging 12-0738, the cable cannot be used to transfer any measurement data.

| E | XT |

**DC to USB adapter****Part No:** 12-0751**Description:** Adaptor to be used with cable 12-0989 and 12-0750.**Note:** Cannot transfer any measurement data.

| E | XT |

**DC split cable for charging****Part No:** 12-0989**Description:** Cable for charging the units of system E420, E540 and XT440, XT550, XT660, XT770, XT980.**Note:** This cable cannot transfer any measurement data.

| D | E |

**"Red cable", 2.0 m [78.7"]****Part No:** 12-0074**Description:** For connecting Easy-Laser® measurement equipment. With Push-Pull connectors.**Note:** -

| D | E |

**"Red cable", extension, 5.0 m [16.4']****Part No:** 12-0108**Description:** For connecting Easy-Laser® measurement equipment. With Push-Pull connectors.**Note:** Extension cable.

| D | E |

**"Red cable", extension, 10.0 m [32.8']****Part No:** 12-0180**Description:** For connecting Easy-Laser® measurement equipment. With Push-Pull connectors.**Note:** Extension cable.

| D | E |

**Cable support****Part No:** 12-0321**Description:** If the cable is accidentally pulled with great force, this support will prevent the connector from damage. It will also minimise the risk of moving the detector out of position.**Note:** -

| D |

**Printer cable****Part No:** 03-0241**Description:** For connection of the thermal printers 03-0341 and 03-0032 to display unit D279.**Note:** -

**PC cable ("null modem")**

Part No: 03-0333

Description: Length 1.8 m [71"]

Note: -

**USB/RS232 adaptor**

Part No: 03-0722

Description: Adaptor and cable extension.

Note: Requires internet connection and Windows update.

**USB A - USB B cable**

Part No: 03-0822

Description: Cable with USB A to USB B connectors.

Note: -

**Charger for E-series display unit**

Part No: 03-1243

Description: -

Note: Wall socket connection cable (charger cable) also needed, choose part depending on country of use.

**Charger for XT-series***

Part No: 03-1256

Description: -

Note: *Not for system XT550 or XT50 units. Wall socket connection cable also needed, choose part depending on country of use.

**Charger for XT550 and XT50 units**

Part No: 12-1281

Description: -

Note: Wall socket connection cable (charger cable) also needed, choose part depending on country of use.

**Charger cable, EUR**

Part No: 03-0892

Description: -

Note: Charger unit also needed.

**Charger cable, USA**

Part No: 03-0893

Description: -

Note: Charger unit also needed.

**Charger cable, UK**

Part No: 03-0894

Description: -

Note: Charger unit also needed.

**Charger cable, AUS**

Part No: 03-0895

Description: -

Note: Charger unit also needed.

**HDMI to HDMI cable**

Part No: 03-0901

Description: Length 3 m.

Note: -

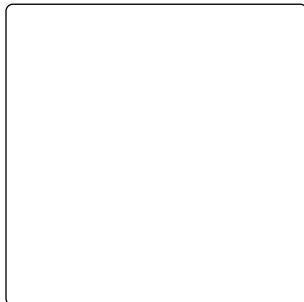
**VGA to VGA cable**

Part No: 03-0902

Description: Length 3 m.

Note: -

| E |



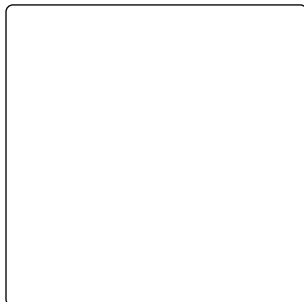
Printer for E-series

Part No: 03-1004

Description: Battery operated thermal printer. With USB cable and 110–220V charger. For connection to all systems with E-series display units. Wall socket connection cable also needed, choose part depending on country of use.

Note: 1 paper roll included. Spare rolls, Part No. 03-0041.

| E |



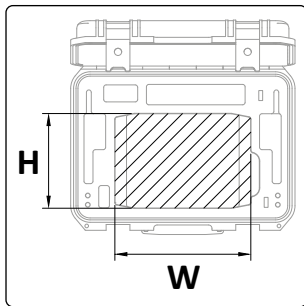
VGA/HDMI kit, for serial number 94177 and newer

Part No: 12-0840

Description: Makes it possible to show the display unit screen on a TV or projector. Includes cable 03-0901 (HDMI), cable 03-0902 (VGA), converter and VGA circuit board.

Note: Only for Display unit 12-0418 (E51) with serial number 94177 and higher. The VGA kit (the circuit board) must be ordered at system purchase for factory installation, it cannot be mounted afterwards.

| XT |



Carrying case Medium for XT440/XT660/XT770

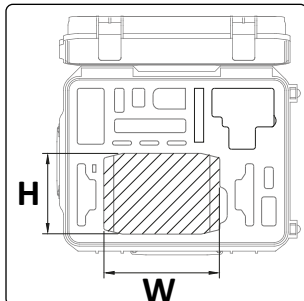
Part No: 12-0973

Description: Carrying case with pre-shaped interior for system XT440, XT660 and XT770.

Note: The interior has space for display unit XT12. If other display unit is to be placed in the case, please note the shape and dimension of the cutout (picture to the left). W=266 mm [10.4"], H= 195 mm [7.6"].

Note 2: No system name sticker is included if not asked for.

| XT |



Carrying case Large for XT770 + laser transmitter

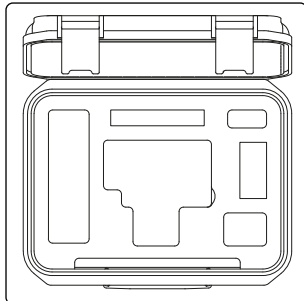
Part No: 12-1132

Description: With wheels. Pre-shaped interior for system XT770 with XT laser transmitter. Please note: No pre-cut space for BTA or VIB accessories, but the general space under the XT12 might be used.

Note: The interior has space for display unit XT12. If other display unit is to be placed in the case, please note the shape and dimension of the cutout (picture to the left). W=266 mm [10.4"], H= 195 mm [7.6"].

Note 2: No system name sticker is included if not asked for.

| XT |



Carrying case for XT laser transmitters

Part No: 12-1290

Description: Carrying case with pre-shaped interior for laser transmitter XT20 or XT22, plus associated accessories.

Note: No system name sticker is included if not asked for.

| D | E |



Transportation case

Part No: 12-0237

Description: -

Note: Uncut foam.

| E |



Carrying case Large for system E540

Part No: 12-1020

Description: Carrying case with interior for system E540.

Note: Pre-cut also for accessories, just remove foam blocks (blocks removed on picture).

| E | XT |

**Transportation case for system E180 and XT190****Part No:** 12-0804**Description:** Carrying case with interior for belt alignment units.**Note:** No system name sticker is included if not asked for.

| E | XT |

**Plastic case for small items****Part No:** 03-0792**Description:** Transportation case with foam interior.**Note:** This is the standard case included with Easy-Laser systems.

| E |

**Transportation case****Part No:** 03-0909**Description:** Rigid case for D22 or D23, or other accessories of your choice.**Note:** The foam is cut to order. Specify what the case will be used for. Otherwise it will be delivered with foam uncut.

| E |

**Protective case for display unit E51, E52 and E53****Part No:** 01-1379**Description:** With strap.**Note:** -

| E |

**Shoulder strap for display unit E-series****Part No:** 12-0495**Description:** -**Note:** -

| D | E | XT |

**Safety strap****Part No:** 03-1406**Description:** Bahco 3875-LY2, for 3 kg [6.6 lbs] weight. For use with laser transmitter D22/D23/XT20/XT22 and Digital Levels E290 and XT290.**Note:** Screw 01-1402 for fastening the strap might also be needed.**Screw for safety strap****Part No:** 01-1402**Description:** For fastening the safety strap Part No. 03-1406**Note:** -**Hexagon wrench set****Part No:** 03-0967**Description:** Hexagon wrench set with dimensions 1.27, 1.5, 2, 2.5, 3, 4, 5 and 6 mm. Ball end.**Note:** -

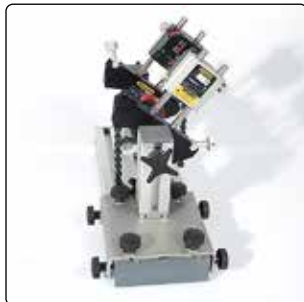
| E | XT |

**Measuring tape, 3 m [9.8']****Part No:** 03-0824**Description:** Fits the cases for the E- and XT-systems.**Note:** -

| E |

**Measuring tape, 5 m [16.4']****Part No:** 03-0842**Description:** Fits the cases for the E-series systems.**Note:** -

| D | E | XT |



Demo unit Shaft

Part No: 12-0416

Description: For shaft alignment training. Can simulate both coupled and uncoupled shafts. With two shims 1.00 mm included.

Dimensions: appr. 400x200x200 mm [15.7x7.8x7.8"].

Note: To simulate an actual alignment, shims (Type A) of different thicknesses can be used. Measuring units and brackets not included.

| D | E | XT |



Demo unit Shaft, steel

Part No: 03-1332

Description: For shaft alignment training. Can simulate both coupled and uncoupled shafts. Two units or more can be connected in series to simulate machine train. With two shims 1.00 mm included.

Dimensions: WxHxD appr. 640x275x255 mm [25.2x10.8x10.0"].

Note: To simulate an actual alignment, shims (Type A) of different thicknesses can be used. Measuring units and brackets not included.

| D | E | XT |



Demo unit Sheave

Part No: 12-0236

Description: Can be placed standing or lying down.

WxHxD: 660x200x100 mm. Weight: 8 kg.

Note: BTA and targets not included.

| XT |



Stinger for XT280

Part No: 03-1326

Description: Accessory probe for the XT280 Vibrometer.

Note: Length 100 mm.

| XT |



Accelerometer magnet for XT280

Part No: 03-1327

Description: Accessory probe for the XT280 Vibrometer.

Note: -

| XT |



XT Laser transmitter upgrade Kits for older XT770 systems (two versions)

Part No: 12-1320 (with XT20) or 12-1321 (with XT22).

Description: Includes laser transmitter as indicated above, plus 12-1132 Large Case GEO, 12-1275 Multi bracket, 12-1133 Magnet base with turnable head, 12-0987 Set of rods 120 mm, 03-1256 Charger, 12-0751 DC to USB Adapter, 12-0989 DC split cable, 03-0967 Hexagon wrench, 03-0878 Cleaning cloth, 05-0993 Quick Guide.

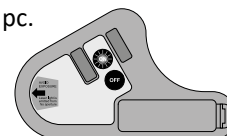
Note: -



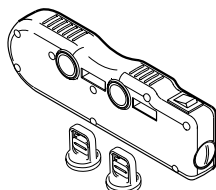
Top for D23
Part No: 01-0618 + 03-0505
Description: For protection of the rotating head.
Note: Top and screw are separate articles.



Target for BTA, 18 mm
Part No: 12-0394
Description: Suitable for laser transmitter 12-0309, 12-0390, and 12-1325.
Note: 1 pc.



Target for BTA, 15 mm
Part No: 12-0213
Description: Suitable for Easy-Laser® D80.
Note: 1 pc.



Barrel nut
Part No: 01-0045
Description: For the standard chain.
Note: -



Nut
Part No: 01-0042
Description: For the standard chain.
Note: -



Chain, stainless steel
Part No: 12-0386
Description: For use with 12-0337.
Note: Does not fit with standard chains.



V-bracket
Part No: 12-0130
Description: For mounting on shaft or coupling.
Note: Just bracket, no chain.



Screw M6x14
Part No: 03-0061
Description: -
Note: -



Rod tightening tool, 4 mm
Part No: 01-0048
Description: -
Note: -



Locking screw
Part No: 01-0039
Description: Fits measuring units; 12-0001, 12-0002, 12-0119, 12-0120, 12-0114, 12-0116, 12-0776, 12-0777, 12-0698, 12-0697, 12-0746, 12-0747. Detectors; 12-0005, 12-0201, 12-0255.
Note: -



Locking screw
Part No: 01-1953
Description: Fits measuring units; 12-0434, 12-0433. Detectors; 12-0702, 12-0509, 12-0752.
Note: -



Locking screw
Part No: 01-1866
Description: Fits measuring units; 12-0943, 12-0944, 12-1028, 12-1029, 12-1026, 12-1027, 12-1045, 12-1046.
Note: -



Spare locks for carrying cases

Part No: -
Description: Spare locks for different models of Easy-Laser® carrying cases.
Note: Ask us for more details on pricing and availability. *Always measure width before ordering!*



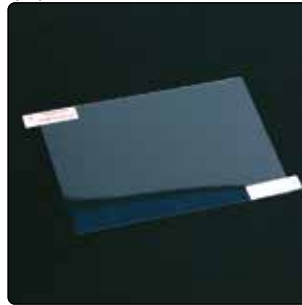
Padded case for BTA

Part No: 03-0591
Description: Padded case with belt strap.
Note: -



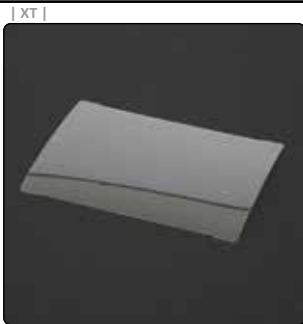
Cleaning cloth

Part No: 03-0878
Description: For cleaning of optical surfaces such as laser aperture and PSD window.
Note: -



LCD display protection film for E51/E52/E53

Part No: 03-0972
Description: Thin film for scratch protection of the LCD display.
Note: -



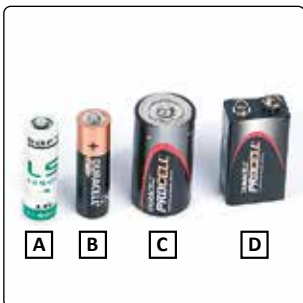
LCD display protection film for XT11

Part No: 01-1945
Description: Thin film for scratch protection of the LCD display.
Note: -



Thermo paper roll

Part No: 03-0041
Description: Paper roll for printer 03-0032 and 03-0341.
Note: -



Batteries

Description:
 A. 3.6 V, Lithium (for BTA Ex), Part Nr 03-0730
 B. 1.5 V, LR6 Alkaline, Part Nr 03-0247
 C. 1.5 V, LR14 Alkaline, Part Nr 03-0242
 D. 9V, 6LR61 Alkaline, Part Nr 03-0642



Vapor capsule Zerust VC2-2

Part No: 03-1184
Description: Protects metals against rust and corrosion. Estimated life span 2 years.
Note: For use in system cases. With adhesive backing.



Sticker "This machine is aligned with"

Part No: 04-0053
Description: To stick on aligned machines. With writable surface for date and operator signature.
Note: 25 stickers.



QR code sticker

Part No: 04-0307
Description: To stick on machines. Read it from within the XT app for easy access to machine data etc.
Note: 10 stickers with unique numbers.



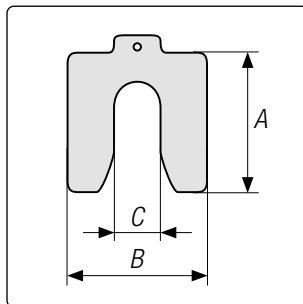
Laser target sticker

Part No: 04-0146
Description: To be used as reference point when doing geometrical measurements. Red reflectice cross for higher visibility.
Note: Size 35x35 mm [1.38x1.38"]



Screwdriver Torx T8

Part No: 03-1429
Description: -
Note: -

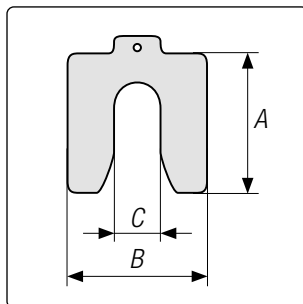


Shims case 1, 180 shims

Part No: 12-0258

Description: 180 shims, 10 pcs of each shim included. Weight 3.9 kg.
Shims type 1, thickness 0.05, 0.10, 0.20, 0.50, 0.70, 1.00 mm.
Shims type 2, thickness 0.05, 0.10, 0.20, 0.50, 0.70, 1.00 mm.
Shims type 3, thickness 0.05, 0.10, 0.20, 0.50, 0.70, 1.00 mm.

Note: Shims type 1, A: 55 mm, B: 50 mm, C: 15 mm
Shims type 2, A: 75 mm, B: 70 mm, C: 23 mm
Shims type 3, A: 90 mm, B: 80 mm, C: 32 mm

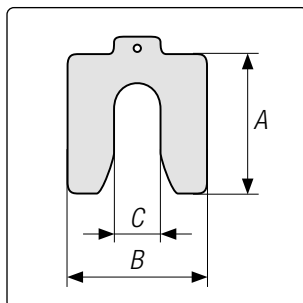


Shims case 2, 360 shims

Part No: 12-0259

Description: 360 shims, 20 pcs of each shim included. Weight 6.1 kg.
Shims type 1, thickness 0.05, 0.10, 0.20, 0.50, 0.70, 1.00 mm.
Shims type 2, thickness 0.05, 0.10, 0.20, 0.50, 0.70, 1.00 mm.
Shims type 3, thickness 0.05, 0.10, 0.20, 0.50, 0.70, 1.00 mm.

Note: Shims type 1, A: 55 mm, B: 50 mm, C: 15 mm
Shims type 2, A: 75 mm, B: 70 mm, C: 23 mm
Shims type 3, A: 90 mm, B: 80 mm, C: 32 mm

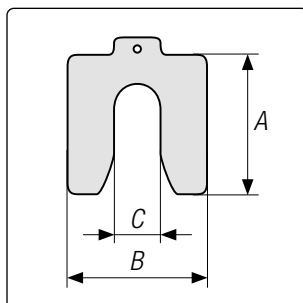


Shims case 3, shims of your choice

Part No: 12-0743

Description: For this case you choose number of shims yourself, from type 1, 2, 3, 4. Thickness 0.05–1.00 mm 10pcs/pack, 2.00 mm 5pcs/pack, 3.00 mm 2pcs/pack. Weight, case without shims 3.2 kg.

Note: Shims type 1, A: 55 mm, B: 50 mm, C: 15 mm
Shims type 2, A: 75 mm, B: 70 mm, C: 23 mm
Shims type 3, A: 90 mm, B: 80 mm, C: 32 mm
Shims type 4, A: 125 mm, B: 105 mm, C: 44 mm



Shims

Part No: See price list.

Description: Blister packs. Thickness 0.05–1.00 mm delivered 10pcs/pack, 2.00 mm 5pcs/pack, and 3.00 mm 2pcs/pack.

Type 1, thickness [mm] 0.05, 0.10, 0.20, 0.40, 0.50, 0.70, 1.00, 2.00, 3.00.
Type 2, thickness [mm] 0.05, 0.10, 0.20, 0.40, 0.50, 0.70, 1.00, 2.00, 3.00.
Type 3, thickness [mm] 0.05, 0.10, 0.20, 0.40, 0.50, 0.70, 1.00, 2.00, 3.00.
Type 4, thickness [mm] 0.05, 0.10, 0.20, 0.40, 0.50, 0.70, 1.00, 2.00, 3.00.
Type 5, thickness [mm] 0.05, 0.10, 0.20, 0.40, 0.50, 0.70, 0.80, 1.00, 2.00, 3.00.

Dimensions [mm]: Type 1, A: 55, B: 50, C: 15. Type 2, A: 75, B: 70, C: 23. Shims type 3, A: 90, B: 80, C: 32. Type 4, A: 125, B: 105, C: 44. Type 5, A: 200, B: 200, C: 85.



Display unit E-series: E52

Part No: 12-0700

Description: Available in different measurement program configurations. Which programs are available depends on in which system the display unit is included. Connectors: USB A, USB B, Easy-Laser® equipment, charger.

Note: Dust and splash guard for connectors removed on upper right picture.



Tripod head

Part No: 03-1338

Description: For use on tripod 12-0269 with e.g. D22 and Angular prism.

Note: -



Extruder cardan joint

Part No: 12-1279

Description: For the extruder bracket.

Note: -

| D | E |



Extruder rod handle

Part No: 12-1280
Description: For the extruder bracket.
Note: -

| D | E |



Velcro clip with pin

Part No: 01-1703
Description: For the extruder bracket.
Note: -

| E |



Charger for E-series printer

Part No: 03-1459
Description: Replacement charger for printer Seiko DPU-S445.
Note: Wall socket connection cable (charger cable) also needed, choose part depending on country of use.

| XT |



Mounting screws for XT laser transmitters

Part No: 12-1300
Description: Screws for mounting the unit on different brackets.
Note: Rod tightening tool, Screw for safety strap, 6 pcs M6x16 mm MC6S, 8 pcs M6x20 mm MC6S, 4 pcs Set screw 6x8 mm. In plastic box.



Cap
Part No: 13-0004
Description: Cap made of 100% cotton. Easy-Laser® embroidery on front. With strap for size adjustment.
Note: Not always in stock. Price upon request.



USB memory
Part No: 03-0914
Description: 4 GB memory stick USB. Easy-Laser® logo engraved on one side as on picture.
Note: Price upon request.



Pen
Part No: 13-0006
Description: With blue ink. Easy-Laser® logo as pictured. Good quality pen.
Note: Not always in stock. Price upon request.



Key holder
Part No: 01-1095
Description: With snap-hook and string for mobile phone.
Note: Not always in stock. Price upon request.



Logo sticker
Part No: 04-0125 (small), 04-0124 (large)
Description: Durable sticker with strong adhesive. Same sticker as on the system cases. Available in two sizes: 200x44 mm [7.87x1.73"] and 305x67 mm [12.01x2.64"].
Note: Price upon request.



Keychain with spirit level
Part No: 13-0013
Description: Keychain with spirit level (plastic block 40x15x15 mm). Easy-Laser® logo as pictured. For give-away purpose/not calibrated.
Note: Not always in stock. Price upon request.



Playing cards
Part No: 13-0007
Description: Deck of cards. International symbols. Easy-Laser® logo and web address "www.easylaser.com" printed as on picture.
Note: Not always in stock. Price upon request.



Notebook for the technician
Part No: 05-0792
Description: Notebook measuring 90x140 mm that fits easily into a pocket in your work clothes, with an insert comprising 38 pages of graph paper and conversion tables on the inside of the cover. Laser facts on back cover.
Note: Not always in stock. Price upon request.

EASY-LASER®

TECHNICAL SPECIFICATIONS

READ THIS INFORMATION CAREFULLY:

Crucial software and electronics updates

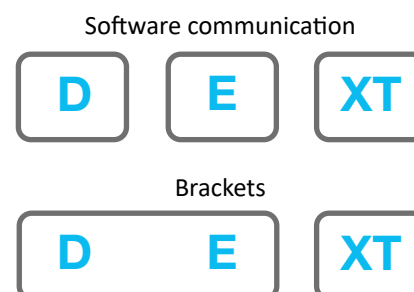
- **The unit for wireless communication** has been available in two versions. The only model available now is Part No. 12-0436. It supports all units mentioned below without limitations. For a period between November 2022 and September 2023 there was a model with Part No. 12-1336, which had a UKCA (UK Conformity Assessed) marking on the label (see image to the right).
These units for wireless communication are used with detectors and measuring units in the E-series, namely 12-0509 (E5)/12-0702 (E4)/12-0752 (E7)/12-0434 (EM)/12-0433 (ES)/12-0790 (EMH)/ 12-0789 (ESH), 12-0824 (E7H).
- **Note!** Wireless unit 12-1336 only works with above mentioned detectors and measuring units which *also* have the UKCA mark, except for the 12-0509 (E5) detector with which 12-1336 is compatible in any case.
- As of November 2022, the XT alignment app no longer supports the XT11 rev 1 Display unit (serial number 129231 or lower).
XT alignment app version 8.1 and higher will not be compatible with XT11 rev 1.
- XT measuring units produced in November 2022 or later will not be compatible with the XT11 rev 1 Display unit (serial number 129231 or lower). If you want to purchase new measuring units and are currently using an XT11 rev 1 Display unit, please contact your local distributor for advice before placing an order.
- To be able to connect/pair an XT app with the Easy-Laser PLUS™, XT app version 9.0 or higher is required.



Compatibility between D, E and XT

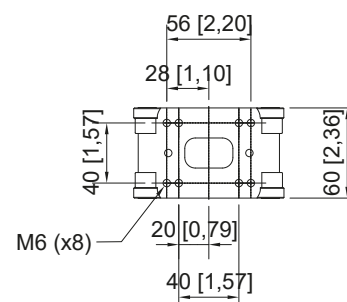
Easy-Laser® measurement systems are extremely versatile in their standard form. By using clever accessories, you can adapt the systems for your own needs, now and in the future as your measurement requirements change. You can also combine parts from one system with another. This is cost-effective! However, there are some differences you need to know:

- The D-series, E-series and XT-series detectors and display units can only be used within its own product series. Note! One exception is the sheave alignment detector 12-1054, which can be connected to XT12, XT11, E51 and E52.
- The XT20/22 laser transmitters requires use of the XT Alignment app for calibration.
- Brackets for D- and E-series has a rod C–C of 40 mm, XT-series rod C–C is 56 mm. The XT offset bracket (12-1008) function as an adaptor for these two measures, but doesn't fit all older brackets.



Explanation of technical drawings and data

- On the following pages technical specifications for the most common units can be found. We will not list all products here.
- You should always also read the complete product description to find out about compatibility with other Easy-Laser® products.
- Please note that the measurement range for laser transmitters is the maximum range, and in reality depends on the detector used and the application.
- Operating times also depends on the actual application, therefore it is not specified for all products. See system specifications in each brochure for more detailed information. Li-Ion battery condition also affect the operating time.
- The drawings show the most important measures. Because of limited space we cannot always place the projections according to European drawing projection, but that is otherwise the method used.
- Specifications are quoted to 95% confidence level (coverage factor $k=2$).



Specifications for built-in rechargeable batteries (2024-01-31):



Easy-Laser Part No.	MSDS Document	Type	Nominal Voltage	Nominal Capacity	Energy	Included in
12-1100	A	Li-Ion	3.65 V	11400 mAh	41.61 Wh	12-0418 Display unit E51 12-0700 Display unit E52 12-0748 Display unit E53
03-0765	B	Li-Ion	3.7 V	660 mAh	2.5 Wh	12-0433 Measuring unit S 20x20 12-0434 Measuring unit M 20x20 12-0509 Detector E5 12-0752 Detector E7 12-0759 Detector E9 12-0789 Measuring unit ESH 20x20 12-0790 Measuring unit EMH 20x20 12-0799 Detector E3 12-0824 Detector E7H 12-0846 Precision level E290 12-1350 Detector XT9 (2 pcs)
03-1052	C	Li-Ion	3.7 V	330 mAh	1.22 Wh	12-0746 Measuring unit ELM 20 12-0747 Measuring unit ELS 20 12-0776 Measuring unit ELM 40 12-0777 Measuring unit ELS 40 12-1054 Detector BTA XT190
03-0971	D	Li-Ion	3.6 V	2600 mAh	9.36 Wh	12-0618 Battery pack wireless 12-0823 Laser transmitter E30 12-0845 Detector E2
12-0953	F	Li-Ion	3.7 V	2000 mAh	7.4 Wh	12-0943 Measuring unit XT40-M 12-0944 Measuring unit XT40-S 12-1028 Measuring unit XT60-M 12-1029 Measuring unit XT60-S 12-1045 Measuring unit XT70-M 12-1046 Measuring unit XT70-S 12-1241 Precision level XT290
12-1301 (2 x 12-0953)	F	Li-Ion	7.4 V	2000 mAh	2x7.4 Wh	12-1272 Laser transmitter XT20 12-1273 Laser transmitter XT22
12-1307	K	Li-Ion	3.7 V	1960 mAh	7.25 Wh	12-1026 Measuring unit XT50-M 12-1027 Measuring unit XT50-S
N/A	H	Li-Ion	3.8 V	4450 mAh	16.91 Wh	12-1196 Ecom Tablet for XT550 12-1086 Ecom Tablet for XT550
N/A	L	Li-Ion	3.85 V	4900 mAh	18.87 Wh	12-1327 Ecom Tablet for XT550
12-1099	I	Li-Ion	7.3 V	5700 mAh	41.64 Wh	12-0961 Display unit XT11 (2 pcs)
12-1328	J	Li-Ion	3.6 V	18900 mAh	68.04 Wh	12-1291/12-1292 Display unit XT12

Information about chargers

Part No. 03-1243, Charger for E-series

Model: GPE024P-120200-D

AC Input: 100–240 V AC ~0,75 A, 50–60 Hz

DC Output: 12.0 V DC 2.0 A, 24.0 W

Efficiency: ≥86.2% (avg.) at 115Vac/60Hz or 230Vac/50Hz input voltage and 10%, 25%, 50%, 75% or 100% of max output current.
≤0.1 W at no load power consumption, at normal line input.

Part No. 12-1281, Charger for XT50/XT550

Model: GPE024P-120200-D

AC Input: 100–240 V AC ~0,75 A, 50–60 Hz

DC Output: 12.0 V DC 2.0 A, 24.0 W

Efficiency: ≥86.2% (avg.) at 115Vac/60Hz or 230Vac/50Hz input voltage and 10%, 25%, 50%, 75% or 100% of max output current.
≤0.1 W at no load power consumption, at normal line input.

Part No. 03-1256, Charger for XT-series

Model: EA10682N-150

AC Input: 100–240 V AC ~2.0 A, 50–60 Hz

DC Output: 15.0 V DC 4.0 A, 60.0 W

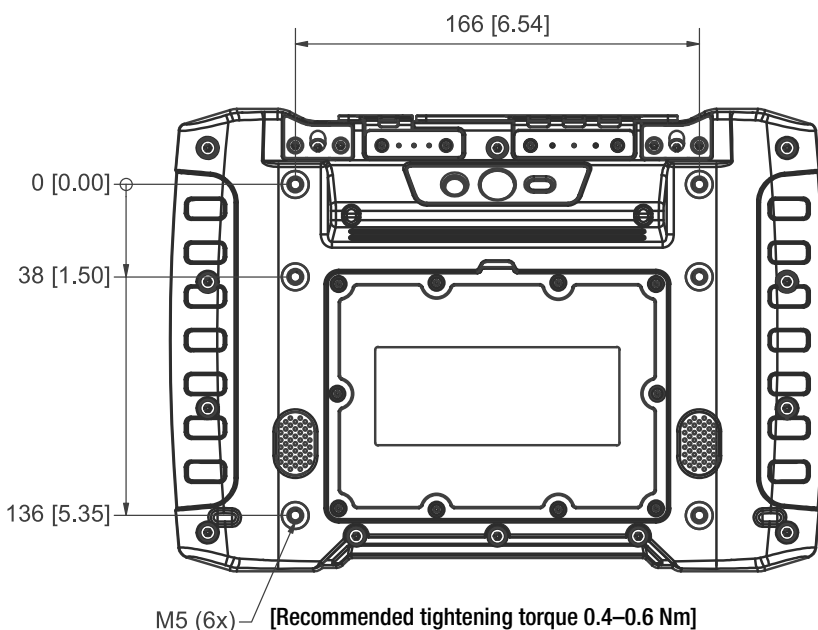
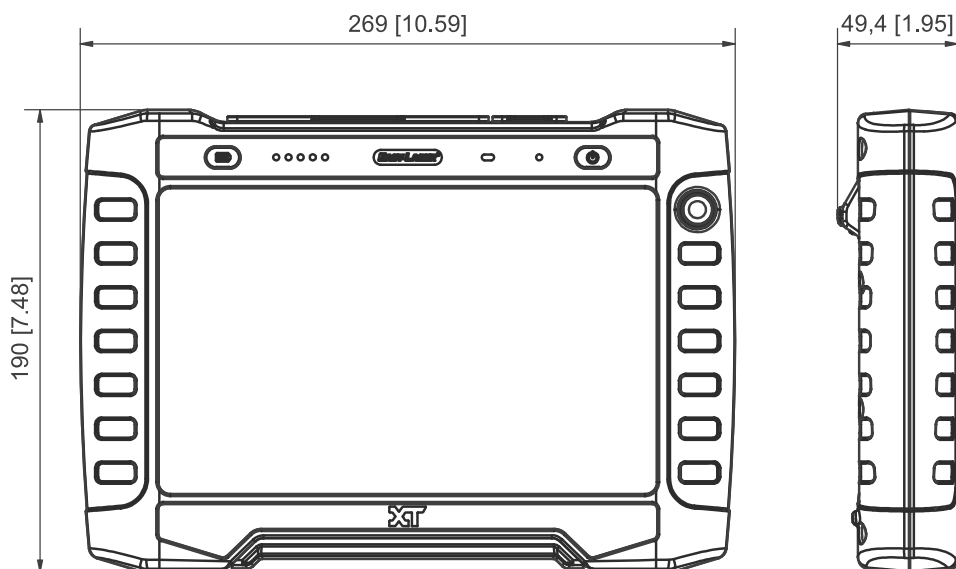
Efficiency: ≥89.0% (avg.) at 115Vac/60Hz or 230Vac/50Hz input voltage and 25%, 50%, 75% or 100% of max output current.
≥79.0% at 115Vac/60Hz or 230Vac/50Hz input voltage and 10% of max output current.
≤0.15W at no load power consumption, at normal line input.

Display unit XT12, Part No. 12-1291 / 12-1292

mm [inch]





Type of display/size	8" LCD capacitive multi-touch colour display
Battery type	Heavy duty Li Ion rechargeable
Operating time	Up to 16 h continuously
Connections	USB A, USB C, Charger, AV (HDMI)
Communication	Wireless technology, WiFi
Camera, with LED diode	13 Mp autofocus
IR camera (Only in model 12-1292)	FLIR LEPTON® 0–400 °C [32–752 °F]
Help functions	Built-in manual
Environmental protection	IP66/67, designed for outdoor use (pollution degree 4)
Operating temperature	-10–50 °C [14–122 °F]
Storage temperature	-20–50 °C [-4–122 °F]
Relative humidity	10–95%
Loudspeakers	Built-in, rear-facing
Charger	15 V
Housing material	PC/TPE or PC/TPU
Dimensions	WxHxD: 269.0x190.0x49.4 mm [10.59x7.48x1.95"]
Weight	1400 g [49.4 oz]

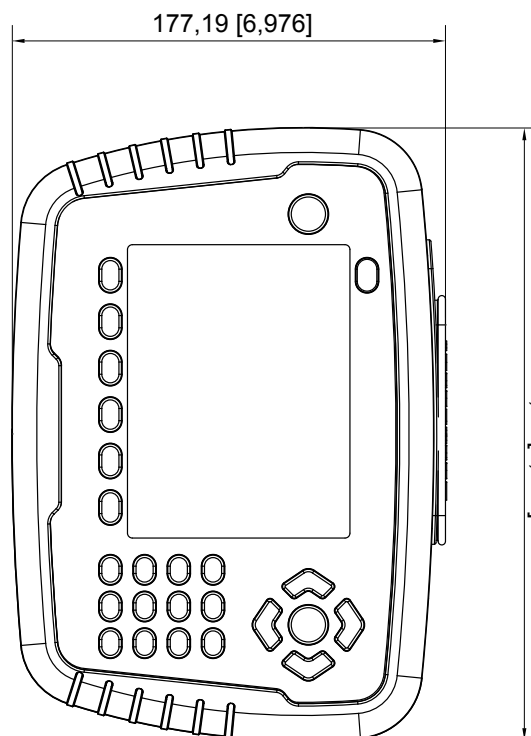


Easy-Laser® is manufactured by Easy-Laser AB, Alfagatan 6, 431 49 Mölndal, Sweden, +46 31 708 63 00, info@easylaser.com, www.easylaser.com © Easy-Laser AB. We reserve the right to make modifications without prior notification. Easy-Laser® is a registered trademark of Easy-Laser AB.

Display unit E51, Part No. 12-0418

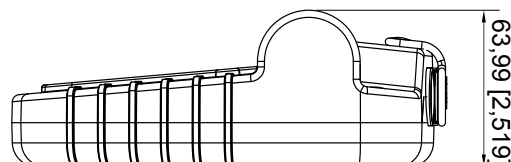
		
Type of display/size	VGA 5.7" colour screen, backlit LED	
Displayed resolution	0.001 mm / 0.05 thou (0.0001 mm with HyperPSD units)	
Battery	Heavy duty Li Ion chargeable	
Temperature range	-10–50 °C [14–122 °F]	
Connections	USB A, USB B, Easy-Laser® units, Charger	
Communication	BT wireless technology and cable	
Internal memory	>100 000 measurements can be saved	
Help functions	Calculator, Unit converter	
Environmental protection	IP class 65	
Housing material	PC/ABS + TPE	
Dimensions	WxHxD: 250x175x63 mm [9.8x6.9x2.5"]	
Weight (without batteries)	1020 g [2.3 lbs]	

mm [inch]




Display unit E52, Part No. 12-0700

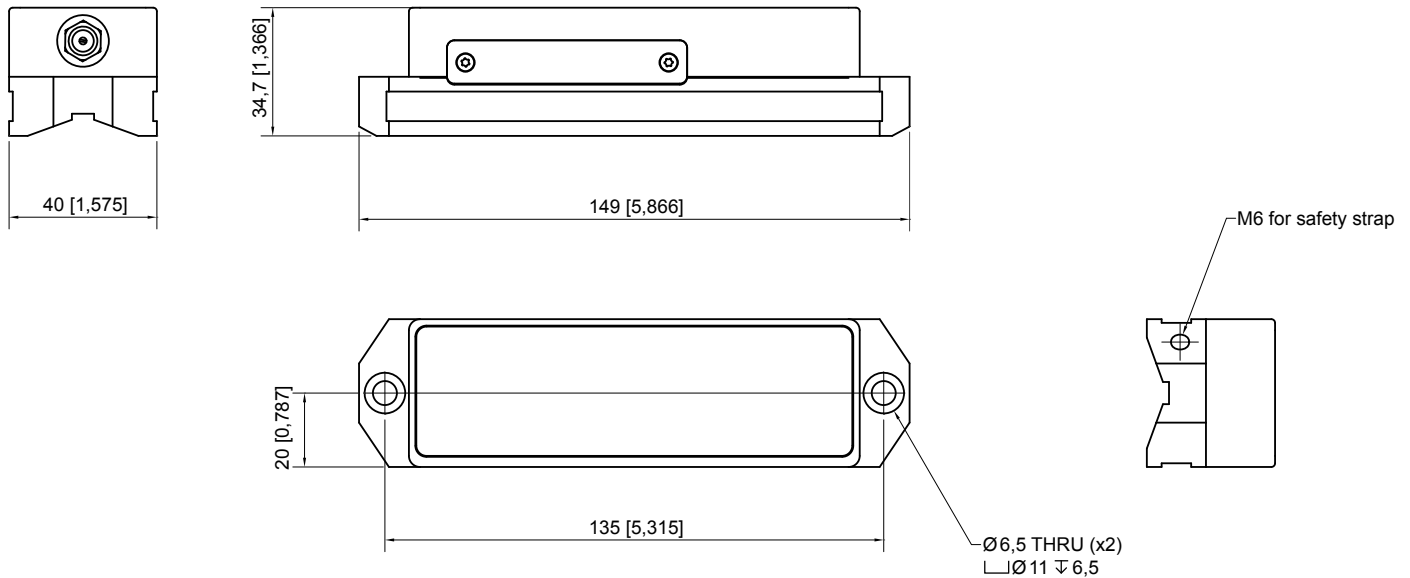
		
Type of display/size	VGA 5.7" colour screen, backlit LED	
Displayed resolution	0.001 mm / 0.05 thou	
Internal battery	Heavy duty Li Ion chargeable	
Temperature range	-10–50 °C [14–122 °F]	
Connections	USB A, USB B, Easy-Laser® units, Charger	
Communication	BT wireless technology	
Internal memory	>100 000 measurements can be saved	
Help functions	Calculator, Unit converter	
Environmental protection	IP class 65	
Housing material	PC/ABS + TPE	
Dimensions	WxHxD: 250x175x63 mm [9.8x6.9x2.5"]	
Weight	1020 g [2.3 lbs]	




E290 Digital Precision Level, Part No. 12-0846

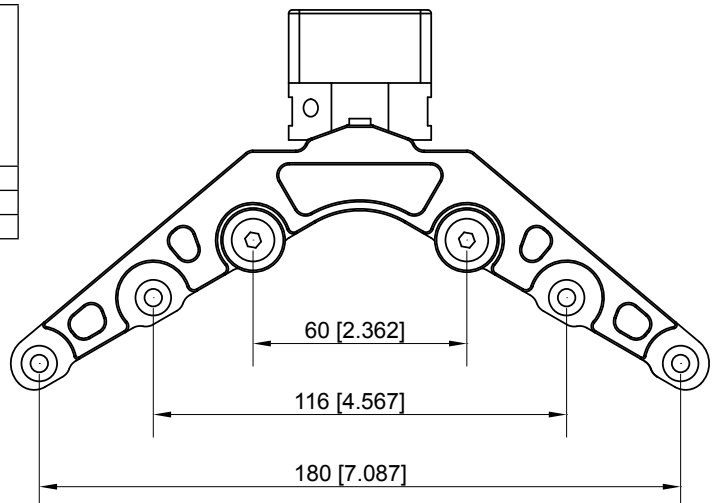
mm [inch]

	CE
Displayed resolution	OLED: 0.01 mm/m (0.001°)/App: 0.001 mm/m (0.001°)
Range	± 2 mm/m
Measurement accuracy	Range ±1 mm/m: accuracy within ±0.02 mm/m of displayed value. Range ±2 mm/m: accuracy within ±0.04 mm/m of displayed value.
Type of display	OLED
Communication	BT wireless technology
Environmental protection	IP Class 67
Operating temperature	-10–50 °C [14–122 °F]
Internal battery	Li Ion
Material	Anodized aluminium , ABS plastics
Dimensions	WxHxD: 149x40x35 mm [5.9x1.6x1.4"]
Weight	530 g [18.7oz]





Extension kit for Precision Level, Part No. 12-0901

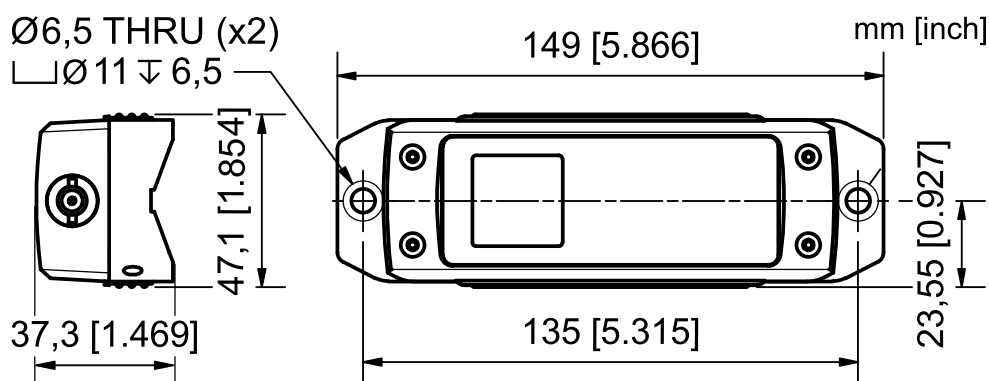
	
For diameters	55–800 mm [2.16–31.50"]
Material	Anodized aluminium , Stainless steel feet
Weight	430g [15.2 oz]




XT290 Digital Precision Level, Part No. 12-1241

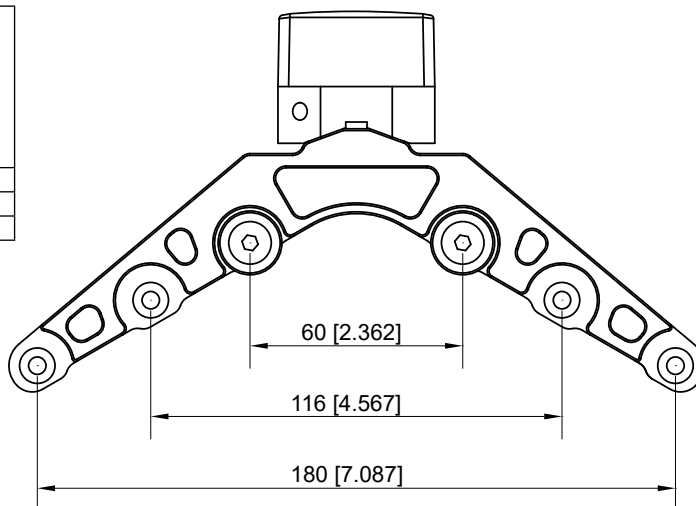
mm [inch]

		
Displayed resolution	0.1, 0.01, 0.001 mm/m [mils/inch]	
	0.001, 0.0001, 0.00001 inch/foot	
	10, 1, 0.1 arcsec	
	0.01, 0.001, 0.0001 degree	
Precision level range	±20 mm/m [±20 mils/inch] (pitch)	
Precision level accuracy	±0.02 mm/m ±1% [±0.02 mils/inch ±1%]	
Precision level sensitivity	0.001 mm/m [0.001 mils/inch]	
Inclinometer range	±180° (pitch and roll)	
Inclinometer accuracy	±0.2° (within range ±5°), ±1° (within range ±180°)	
Type of display	TFT 240x240 pixels, RGB colour	
Communication	BT wireless technology, 20 m [65'] range	
Environmental protection	IP Class 66/67	
Warning sensors	Temperature change and vibration	
Operating temperature	-10–50 °C [14–122 °F]	
Storage temperature	-20–50 °C [-4–122 °F]	
Operating time	Up to 20 h continuously	
Internal battery	Li-Ion	
Material	Corrosion resistant hardened steel, PC/ABS plastics	
Dimensions	WxHxD: 149x37.3x47.1 mm [5.86"x1.47"x1.85"]	
Weight	548 g [19.3 oz]	

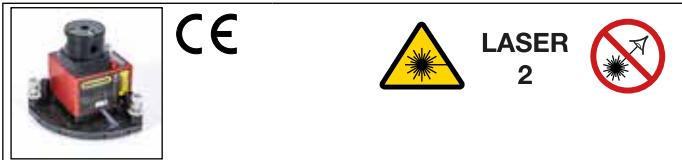


Extension kit for Precision Level, Part No. 12-0901

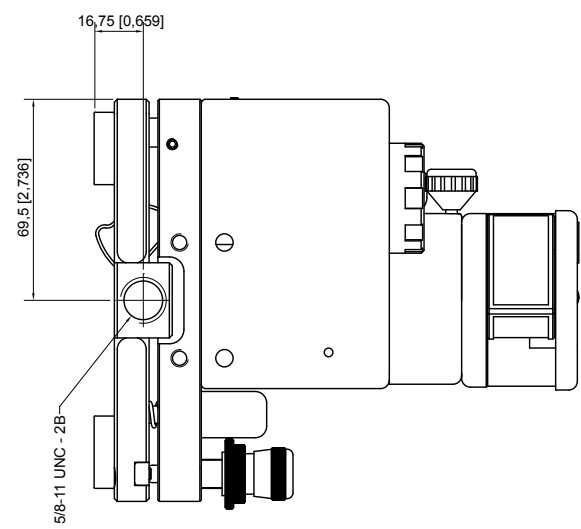
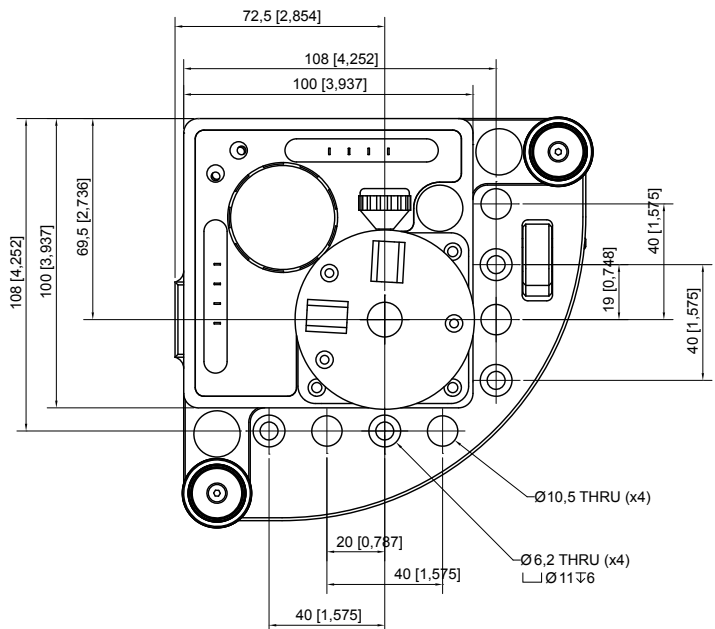
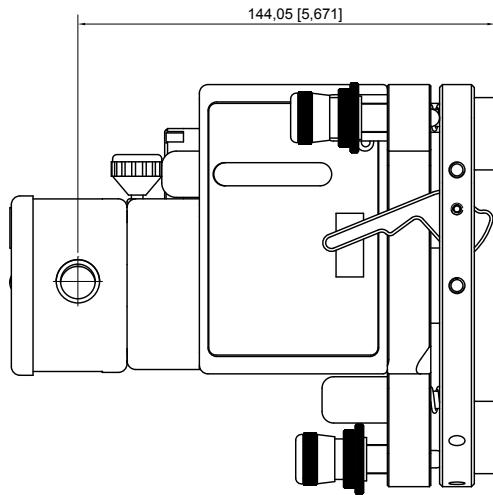
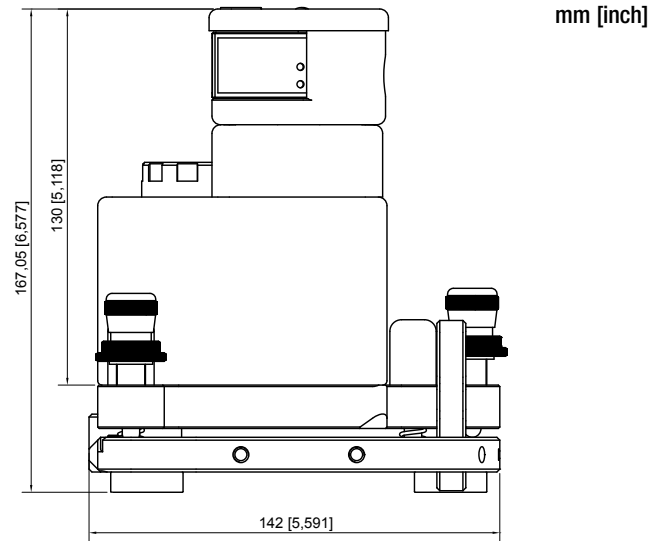
	
For diameters	55–800 mm [2.16–31.50]
Material	Anodized aluminium , Stainless steel feet
Weight	430g [15.2 oz]



Laser transmitter D22, Part No. 12-0022



Type of laser	Diode laser
Laser wavelength	630–680 nm
Laser Safety Class	Class 2
Output power	AVERAGE POWER < 0.6 mW. PULSE ENERGY < 20 nJ. PULSE DURATION 10-17 µs.
Beam diameter	6 mm [1/4"] at aperture
Working area, range	40 m radius [130"]
Type of battery	1 x R14 (C)
Operating time/battery	approx. 24 hours
Levelling range	± 30 mm/m [± 1.7°]
3 x spirit vials' scaling	0.02 mm/m
Squareness between laser beams	±0.01 mm/m [±0.01 mils/inch] [2 arc sec.]
Flatness of sweep	±0.01 mm/m
Fine turning of laser head	±0.1 mm/m [20 arc sec.]
2 x spirit vials for rotation of head	±5 mm/m
Housing material	Aluminium
Dimensions	WxHxD: 139x169x139 mm [5.47x6.64x5.47"]
Weight	2650 g [5.8 lbs]



Easy-Laser® is manufactured by Easy-Laser AB, Alfagatan 6, 431 49 Mölndal, Sweden, +46 31 708 63 00, info@easylaser.com, www.easylaser.com © Easy-Laser AB. We reserve the right to make modifications without prior notification. Easy-Laser® is a registered trademark of Easy-Laser AB.

Laser transmitter D22, Part No. 12-0022



LASER
2

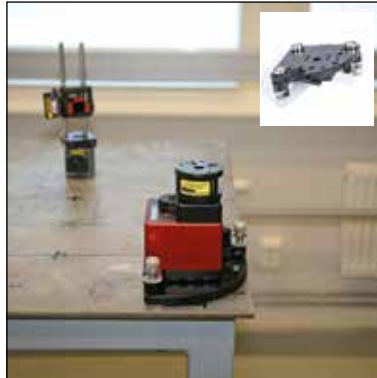


Examples of use

The D22 can be mounted in various ways. Below are just some examples. The important thing is to always tighten rods, screws and magnets firmly. Also be sure the surface where the magnets are attached is clean. If possible use the safety strap.



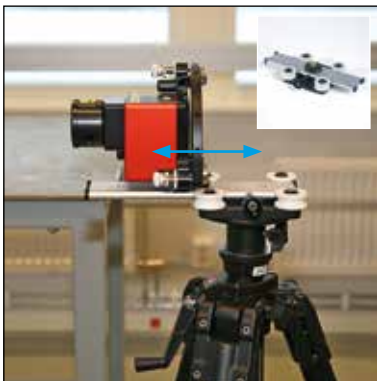
On tripod (Part No. 12-0269).



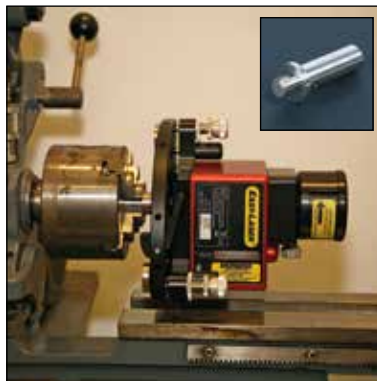
With super magnets on tilt table (included) directly on surface.



Feet with points (included), on non magnetic surface.



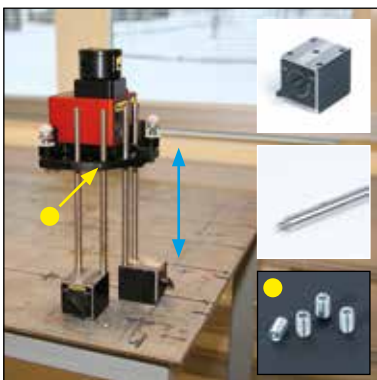
On sliding table for tripod Part No. 12-0202. For easy alignment to detector.



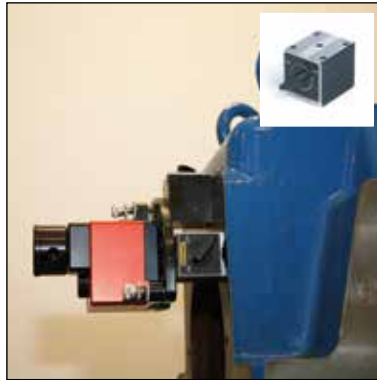
In a machine spindle. Spindle/magnet base pin Part No. 01-1333.



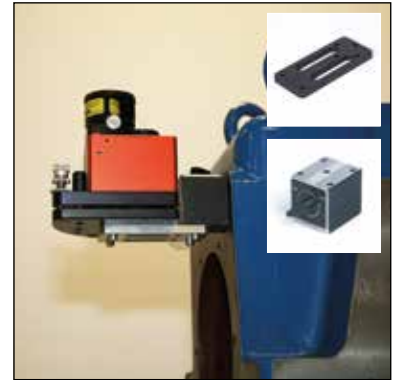
Vertical mounting on roll. Adapter plate Part No. 12-0874.



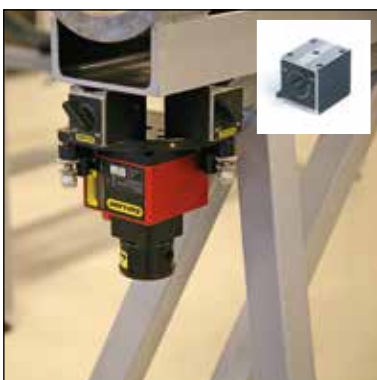
Rigid mounting, still easy to height adjust. Use rods of suitable length.



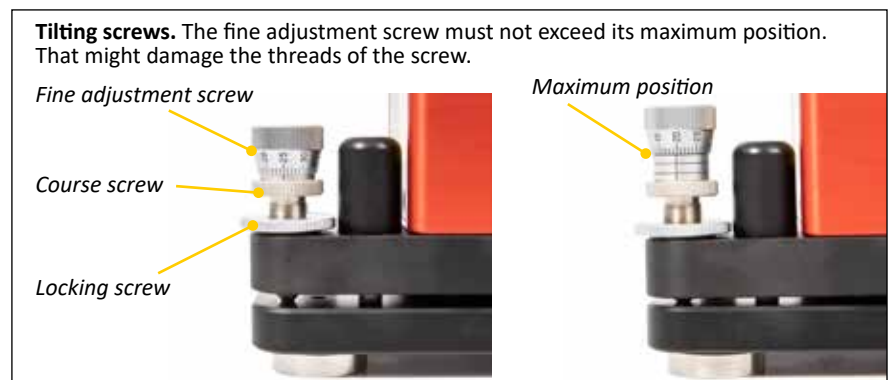
With magnet bases, very rigid mounting.



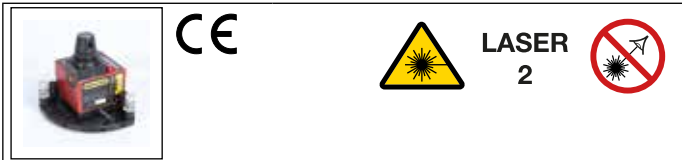
Rigid mounting, horizontal sweep.



With magnet bases, very rigid mounting.

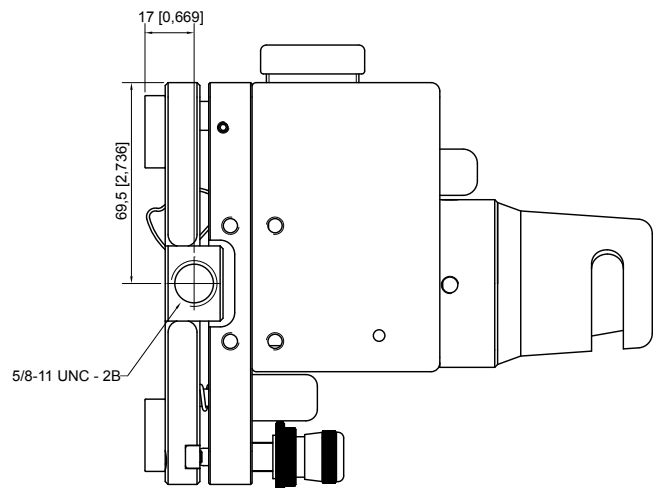
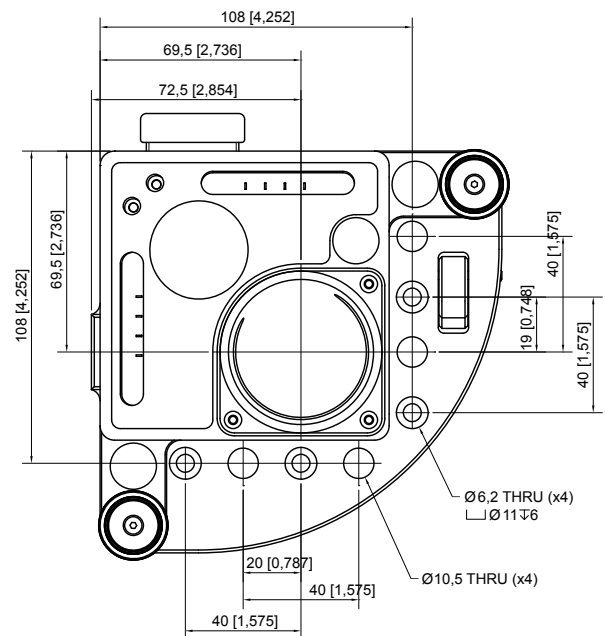
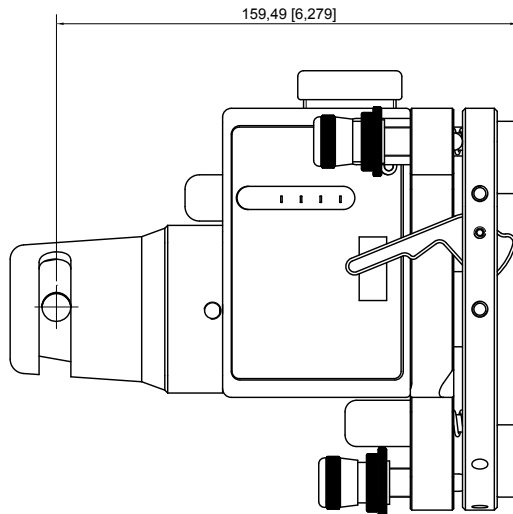
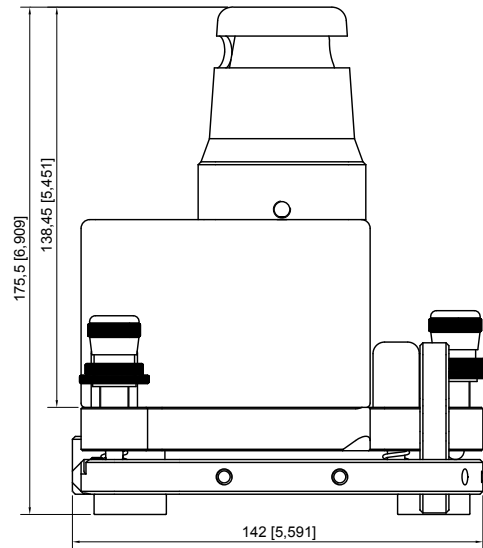


Laser transmitter D23 Spin, Part No. 12-0168



Type of laser	Diode laser
Laser wavelength	630-680 nm
Laser Safety Class	Class 2
Output power	AVERAGE POWER < 1 mW. PULSE ENERGY 2-9 µJ (spin mode) or < 20 nJ (stationary mode). PULSE DURATION 2-9 ms (spin mode) or 10-17 µs (stationary mode).
Beam diameter	6 mm [1/4"] at aperture
Working area, range	20-metre radius [65']
Type of battery	2 x R14 (C)
Operating time/battery	approx. 15 hours
Operating temperature	0-50 °C
Levelling range	± 30 mm/m [± 1.7°]
3 x spirit vials' scaling	0.02 mm/m
Flatness of sweep	0.02 mm/m
Housing material	Aluminium
Dimensions	WxHxD: 139x169x139 mm [5.47x6.64x5.47"]
Weight	2650 g [5.8 lbs]

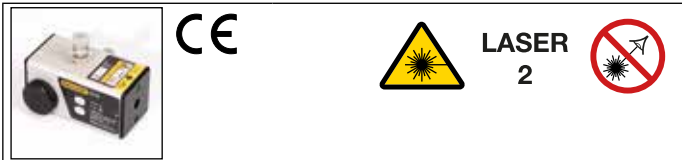
mm [inch]



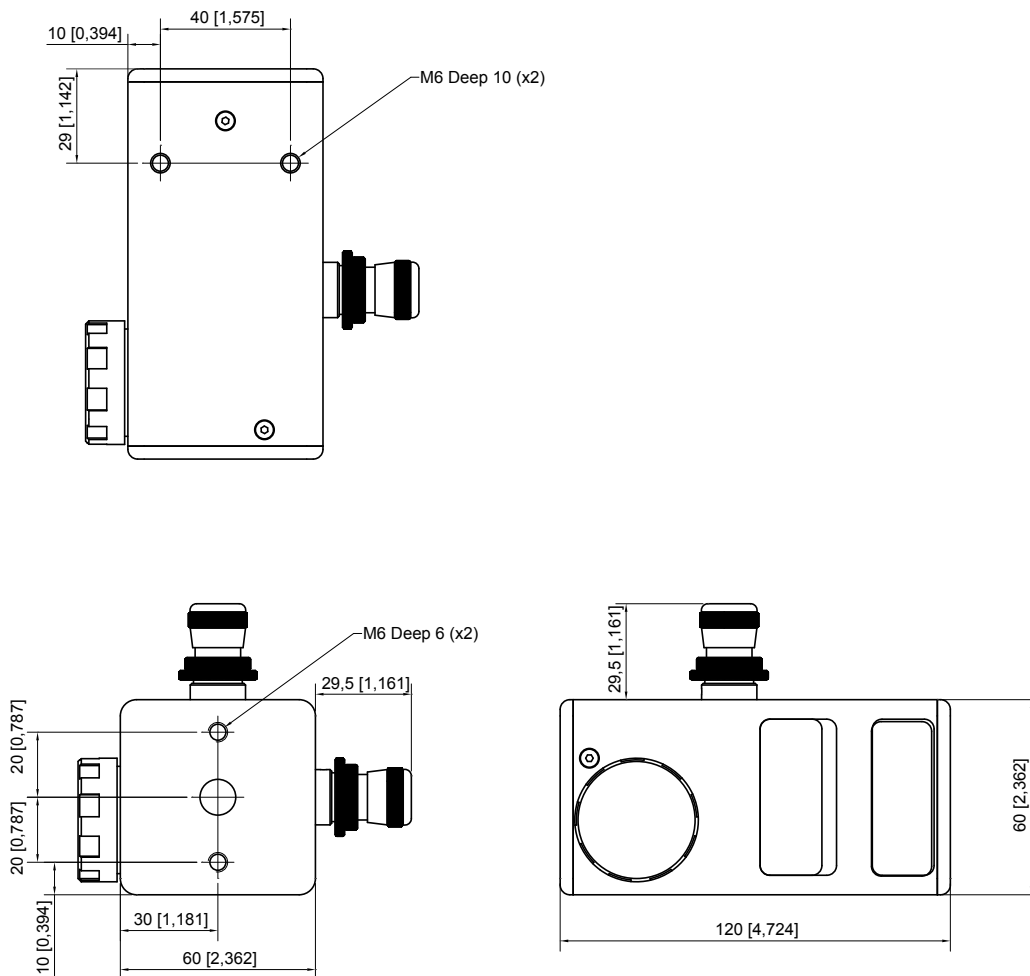
Easy-Laser® is manufactured by Easy-Laser AB, Alfagatan 6, 431 49 Mölndal, Sweden, +46 31 708 63 00, info@easylaser.com, www.easylaser.com © Easy-Laser AB. We reserve the right to make modifications without prior notification. Easy-Laser® is a registered trademark of Easy-Laser AB.

Laser transmitter D75, Part No. 12-0075

mm [inch]




Type of laser	Diode laser
Laser wavelength	630–680 nm
Laser Safety Class	Class 2
Output power	AVERAGE POWER < 0.6 mW. PULSE ENERGY < 20 nJ. PULSE DURATION 10–17 µs.
Beam diameter	6 mm [1/4"] at aperture
Working distance	40-metre [130']
Type of battery	1 x R14 (C)
Operating time/battery	approx. 15 hours
Operating temperature	0–50 °C [32–122 °F]
Laser adjustment	2 ways ±2° (± 35 mm/m)
Housing material	Aluminium
Dimensions D75	WxHxD: 60x60x120 mm [2.36x2.36x4.72"]
Weight	780 g [27.5 oz]




Easy-Laser® is manufactured by Easy-Laser AB, Alfagatan 6, 431 49 Mölndal, Sweden, +46 31 708 63 00, info@easylaser.com, www.easylaser.com © Easy-Laser AB. We reserve the right to make modifications without prior notification. Easy-Laser® is a registered trademark of Easy-Laser AB.


Laser transmitter D25 with offset hub, Part No. 12-0706



CE

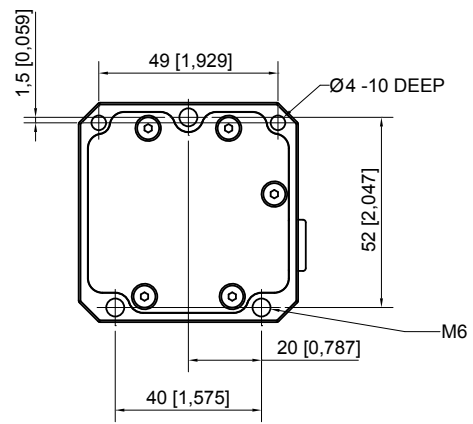


LASER
2




Type of laser	Diode laser
Laser wavelength	630-680 nm
Laser Safety Class	Class 2
Output power	AVERAGE POWER < 0.6 mW. PULSE ENERGY < 20 nJ. PULSE DURATION 10-17 µs.
Beam diameter	6 mm at aperture [1/4"]
Measurement range	40 m radius [130']
Battery type	1 x 1.5 V R14 (C)
Operating time / battery	>24 hours
Levelling range	±1.7° (±30 mm/m) in two directions [±30 mils/inch]
Perpendicularity between beams	2 arc sec. (0.01 mm/m) [0.5 mils/inch]
Flatness of sweep	±0.01 mm/m (10µ)
Housing material	Anodised aluminium
Dimensions (transmitter down)	137x137x142 mm [5.4x5.4x5.6"]
Dimensions (transmitter up)	137x137x150 mm [5.4x5.4x5.9"]
Weight	2124 g (battery adaptor excluded) [4.7 lbs]


mm [inch]




Laser transmitter D25, Part No. 12-0594

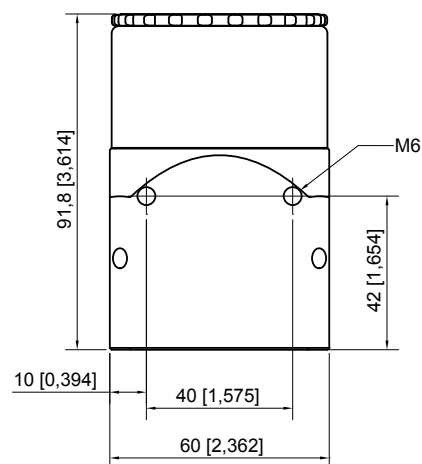
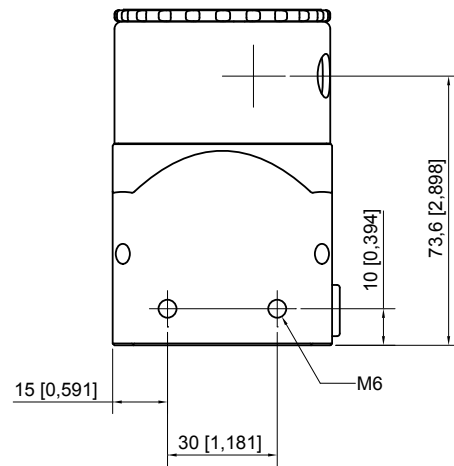


CE






LASER
2






Laser transmitter E30 Long range, Part No. 12-0823



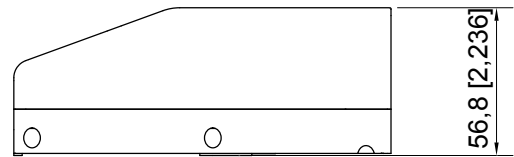
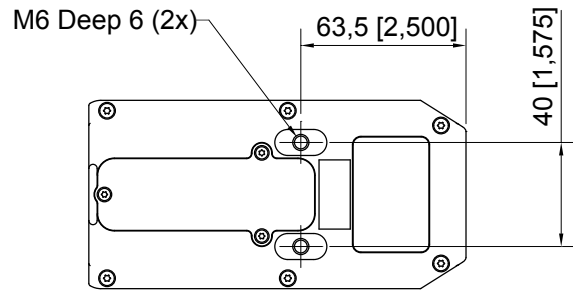



LASER
2






Laser	Diode laser
Laser wave length	630-680 nm
Adjustable modulation	0, 5, 32, 40, 100 KHz
Output power	AVERAGE POWER < 1 mW. PULSE ENERGY < 12-132 nJ (pulsed mode). PULSE DURATION 10-110 us (pulsed mode).
Beam diameter	12 mm (1/2") at aperture
Working area with 20mm detector	0-100 meter [328 ft]
Working area with 30mm detector	0- >200 meter [656 ft]
Type of battery	Li Ion
Operating time	>24 h
Operating temperature	-10-50 °C [14-122 °F]
Environmental protection	IP67
Wireless communication	BT wireless technology (passive).
Chock sensor	6 axis mems gyro with inclinometer
Type of display	0-led 96x96 pixel
Charging power	5-12 V DC
Housing material	Anodized aluminium T6060
Dimensions	WxHxD: 145.0x72.4x56.8 mm [5.71x2.85x2.24"]
Weight	620g [21.7 oz]

mm [inch]




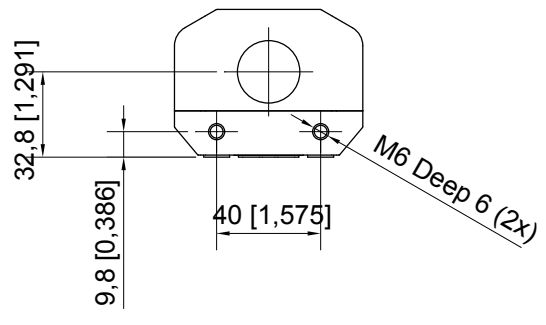
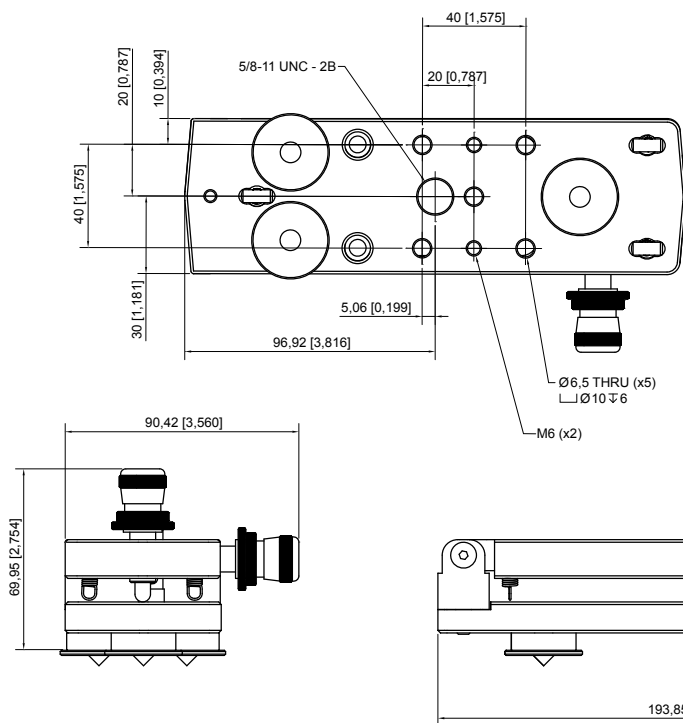
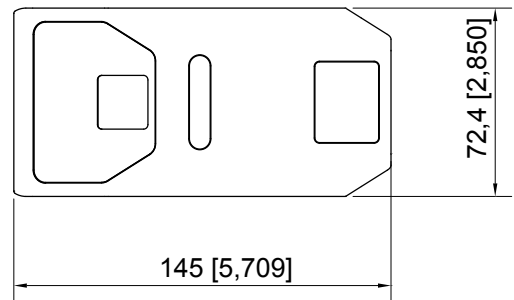
Laser transmitter E30 Long range, with tilt table, Part No. 12-0858



LASER
2





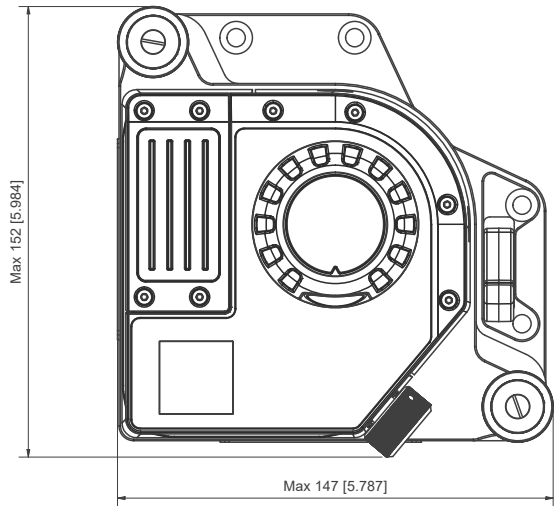
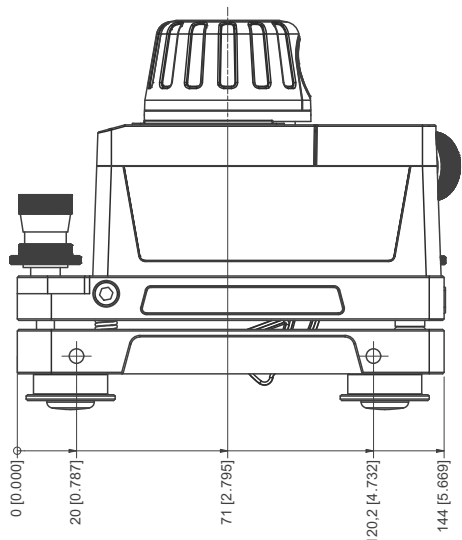
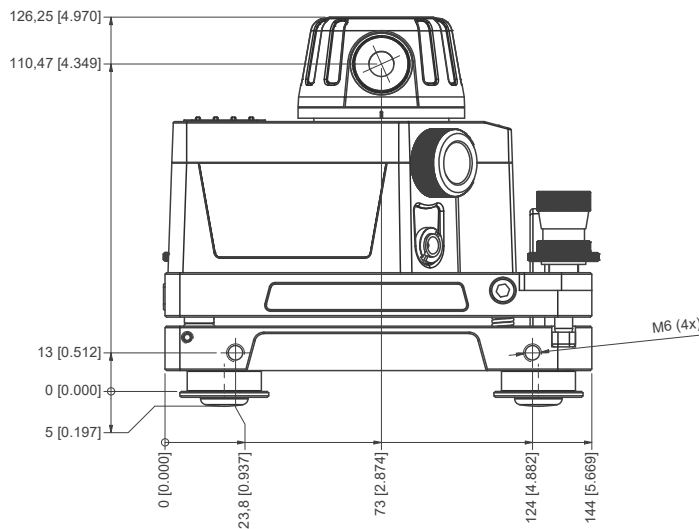
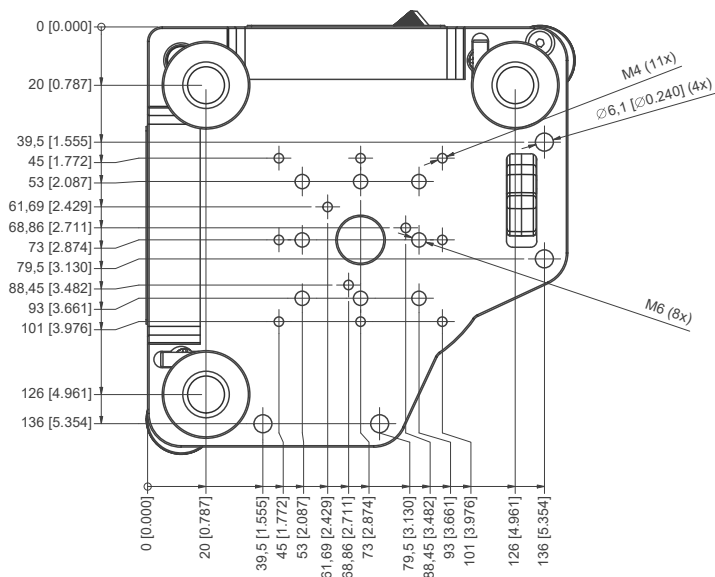
Easy-Laser® is manufactured by Easy-Laser AB, Alfagatan 6, 431 49 Mölndal, Sweden, +46 31 708 63 00, info@easylaser.com, www.easylaser.com © Easy-Laser AB. We reserve the right to make modifications without prior notification. Easy-Laser® is a registered trademark of Easy-Laser AB.

Laser transmitter XT20, Part No. 12-1272



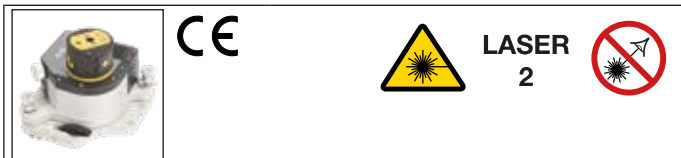
mm [inch]

Type of laser	Diode laser
Laser wavelength	630–680 nm
Laser Safety Class	Class 2
Output power	AVERAGE POWER < 0.6 mW. PULSE ENERGY < 20 nJ. PULSE DURATION 10–17 µs.
Beam diameter	6 mm [0.24"] at aperture, 13 mm [0.51"] at 40 m [132']
Working range	20 m radius [66']
Communication	BT Wireless technology, 40 m [130"] range.
Warning indications	Temperature drift and shake/vibration
Connections	Charger
Type of battery	Heavy duty Li-Ion chargeable
Operating time	Up to 30 hours continuous use
Warmup time	15 min
Operating temperature	-10–50 °C [14–122 °F]
Charging temperature (battery)	0–50 °C [32–122 °F]
Storage temperature	-20–50 °C [-4–122 °F]
Relative humidity	10–95% non-condensing
Number of precision levels	2 pcs Horizontal
Precision level range	± 10 mm/m [± 10 mils/inch]
Precision level accuracy	± 0.02 mm/m ± 1% [± 0.02 mils/inch ± 1%]
Precision level sensitivity	0.001 mm/m [0.001 mils/inch]
Laser plane flatness	± 0.01 mm/m [± 0.01 mils/inch]
Laser head fine turning	1:132 gear ratio
Environmental protection	IP55, designed for outdoor use (pollution deg. 4)
TFT display	240x240 pixels, RGB colour
Housing material	Anodized aluminium + PC/ABS + TPU
Dimensions	WxHxD: 147x126x152 mm [5.79x4.97x5.98"]
Weight	2065 g [72.86 oz]



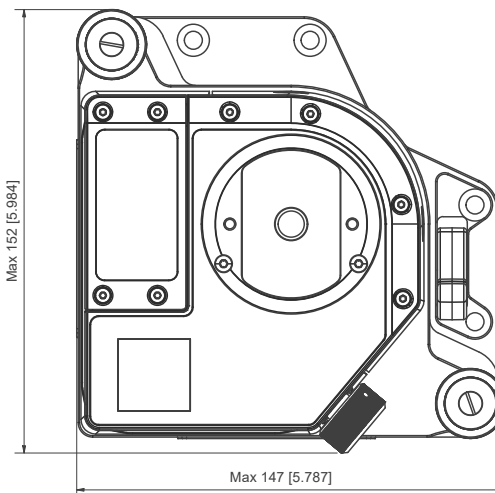
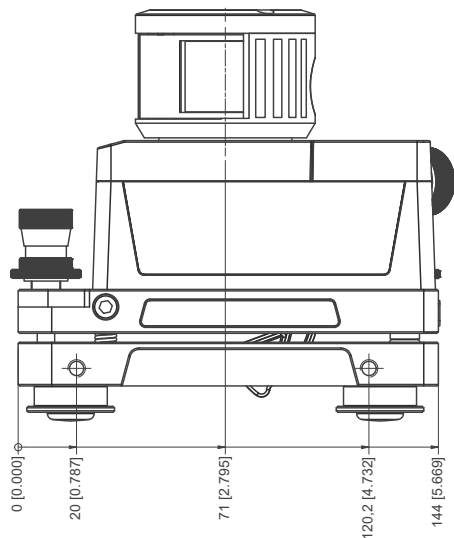
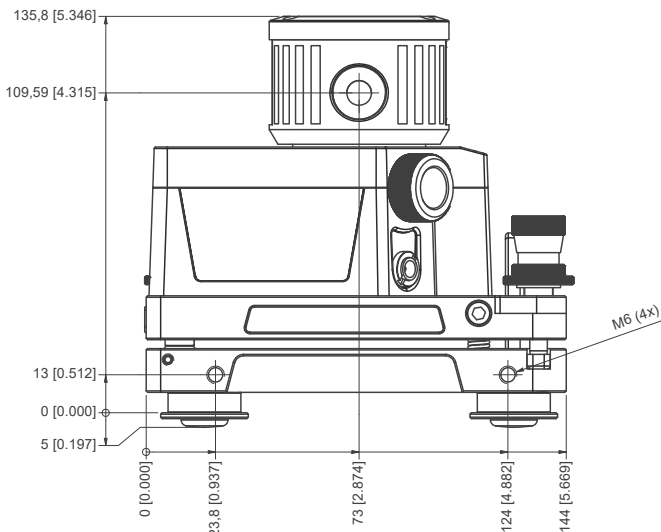
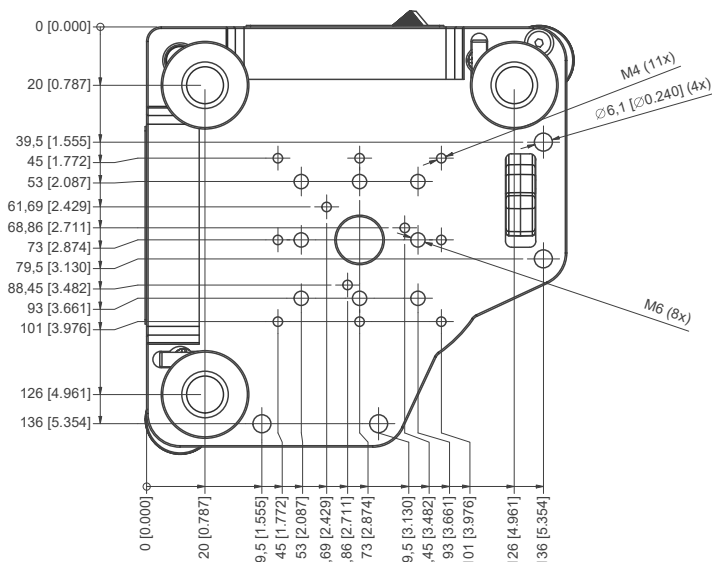
Easy-Laser® is manufactured by Easy-Laser AB, Alfagatan 6, 431 49 Mölndal, Sweden, +46 31 708 63 00, info@easylaser.com, www.easylaser.com © Easy-Laser AB. We reserve the right to make modifications without prior notification. Easy-Laser® is a registered trademark of Easy-Laser AB.

Laser transmitter XT22, Part No. 12-1273



Type of laser	Fiber-coupled diode laser
Laser wavelength	630–680 nm
Laser Safety Class	Class 2
Output power	AVERAGE POWER < 0.6 mW. PULSE ENERGY < 20 nJ. PULSE DURATION 10–17 µs.
Beam diameter	6 mm [0.24"] at aperture, 13 mm [0.51"] at 40 m [132']
Working range	40 m radius [132']
Communication	BT Wireless technology, 40 m [130'] range.
Warning indications	Temperature drift and shake/vibration
Connections	Charger
Type of battery	Heavy duty Li-Ion chargeable
Operating time	Up to 30 hours continuous use
Warmup time	15 min
Operating temperature	-10–50 °C [14–122 °F]
Charging temperature (battery)	0–50 °C [32–122 °F]
Storage temperature	-20–50 °C [-4–122 °F]
Relative humidity	10–95% non-condensing
Number of precision levels	2 pcs Horizontal, 1 pc Vertical
Precision level range	± 10 mm/m [± 10 mils/inch]
Precision level accuracy	± 0.02 mm/m ± 1% [± 0.02 mils/inch ± 1%]
Precision level sensitivity	0.001 mm/m [0.001 mils/inch]
Laser plane flatness	± 0.01 mm/m [± 0.01 mils/inch]
Squareness between laser beams	± 0.01 mm/m [± 0.01 mils/inch]
Laser head fine turning	1:1320 gear ratio
Environmental protection	N/A. Designed for industrial use (pollution degree 3).
TFT display	240x240 pixels, RGB colour
Housing material	Anodized aluminium + PC/ABS + TPU
Dimensions	WxHxD: 147x136x152 mm [5.79x5.35x5.98"]
Weight	2264 g [79.86 oz]

mm [inch]

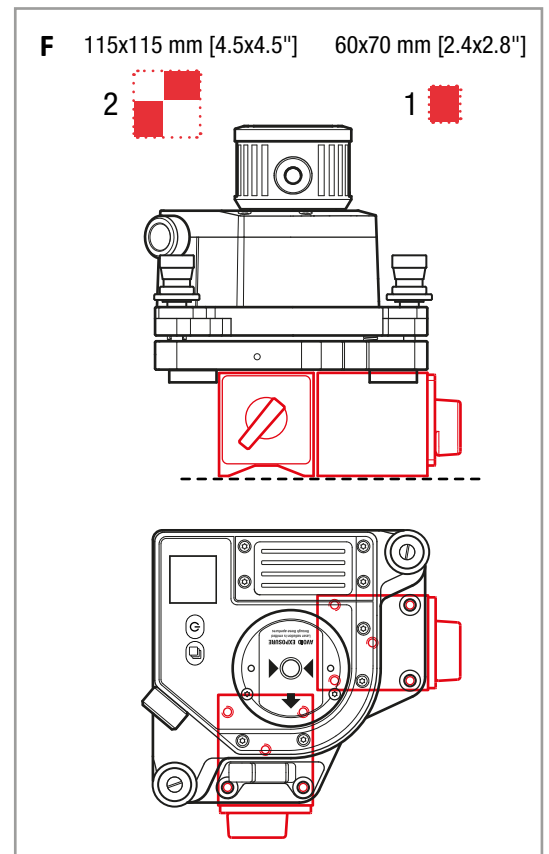
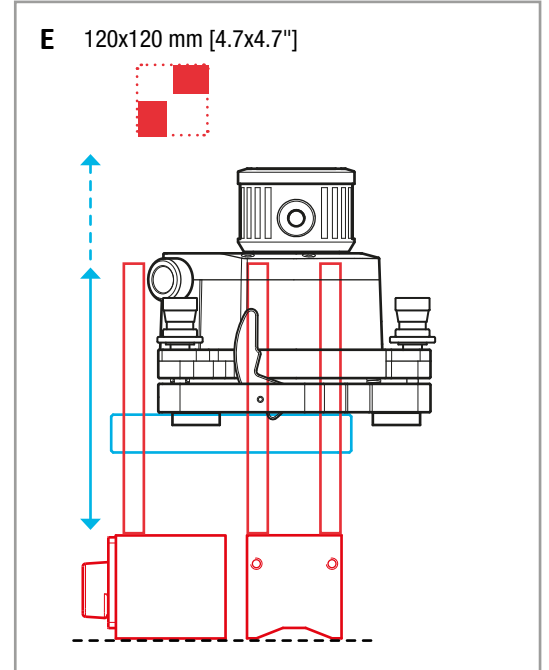
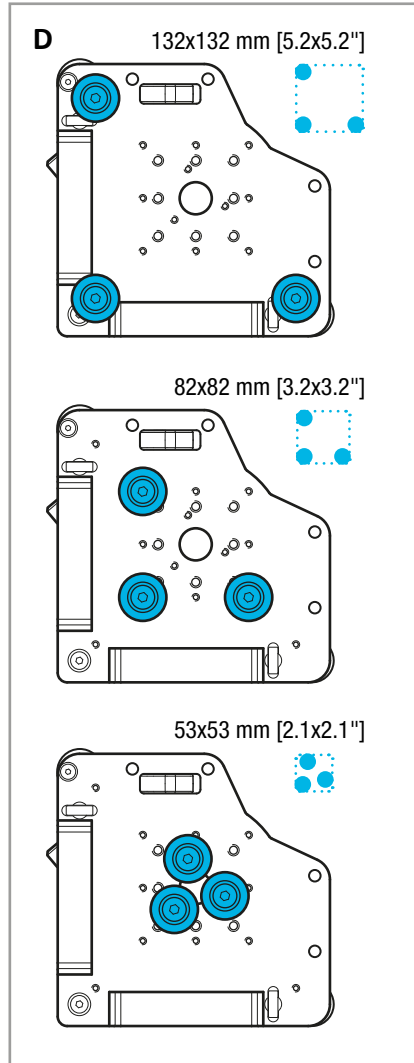
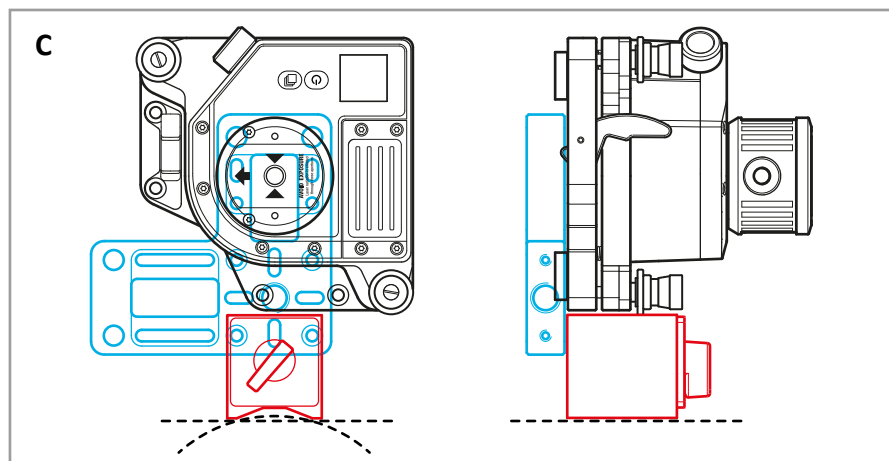
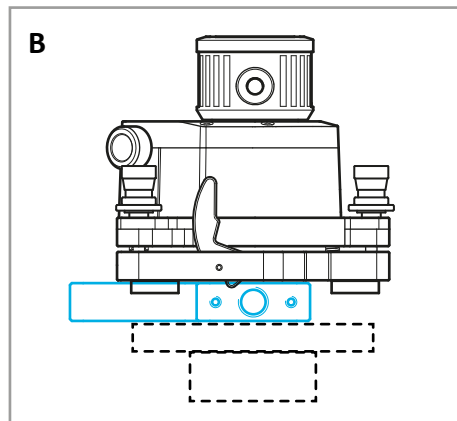
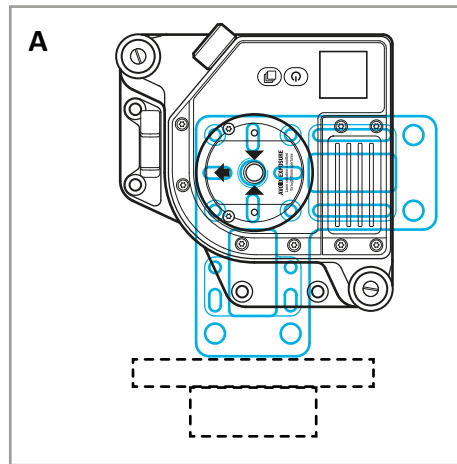


Easy-Laser® is manufactured by Easy-Laser AB, Alfagatan 6, 431 49 Mölndal, Sweden, +46 31 708 63 00, info@easylaser.com, www.easylaser.com © Easy-Laser AB. We reserve the right to make modifications without prior notification. Easy-Laser® is a registered trademark of Easy-Laser AB.

Mounting possibilities for XT20/XT22 and Multi-bracket



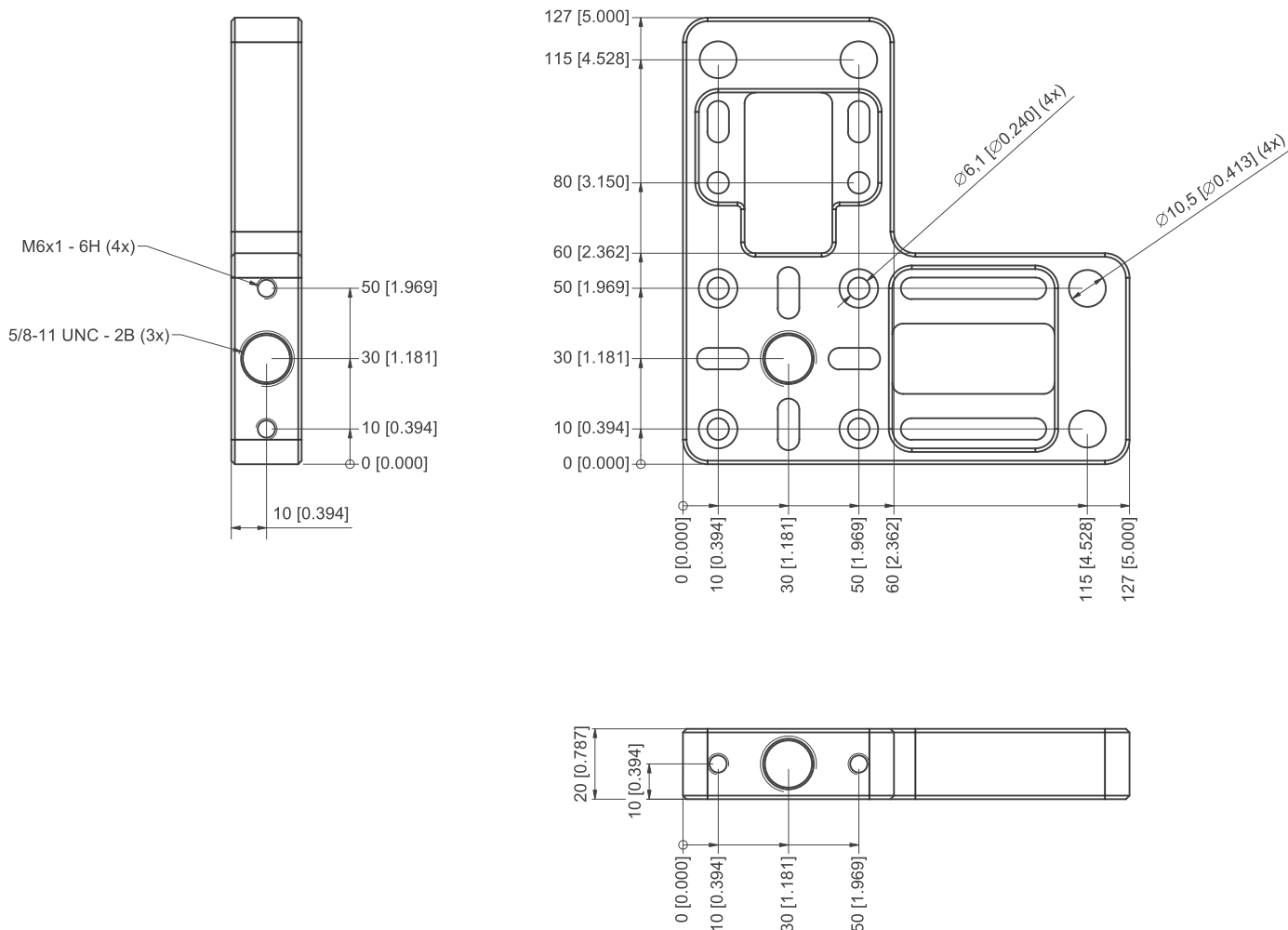
A/B: Use the Multi-bracket as adapter for mounting on tripod, vertically or horizontally.
C: Use it to mount the transmitter vertically on a magnet base.
D: The three super magnets can be mounted at many different positions, making it possible to also place the transmitter on a small surface, when needed. Here are three examples shown.
E: Use rods on regular magnet bases to position the transmitter at required height. For example when you need to place the transmitter on a lower position than the surface to be measured.
F: Mount one or two magnet bases directly on the tilt table.



Multi bracket for XT lasertransmitter, Part No. 12-1275

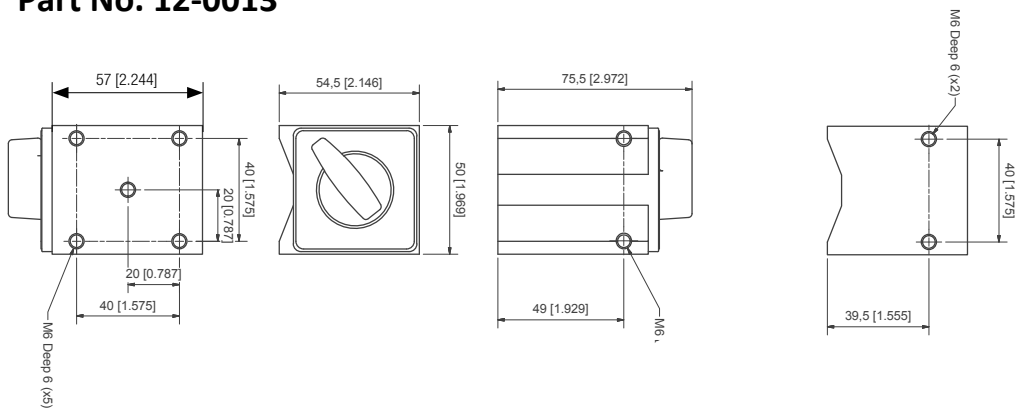


mm [inch]



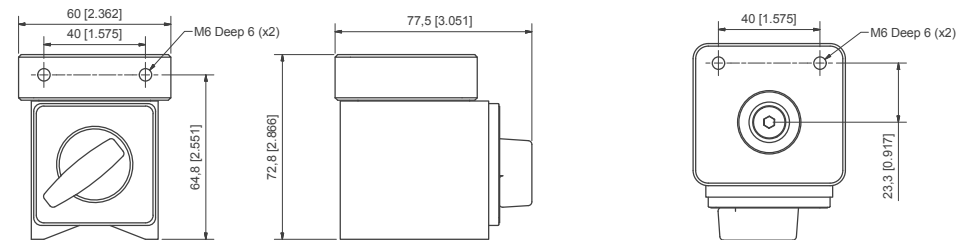
Easy-Laser® is manufactured by Easy-Laser AB, Alfagatan 6, 431 49 Mölndal, Sweden, +46 31 708 63 00, info@easylaser.com, www.easylaser.com © Easy-Laser AB. We reserve the right to make modifications without prior notification. Easy-Laser® is a registered trademark of Easy-Laser AB.

Magnet base, Part No. 12-0013

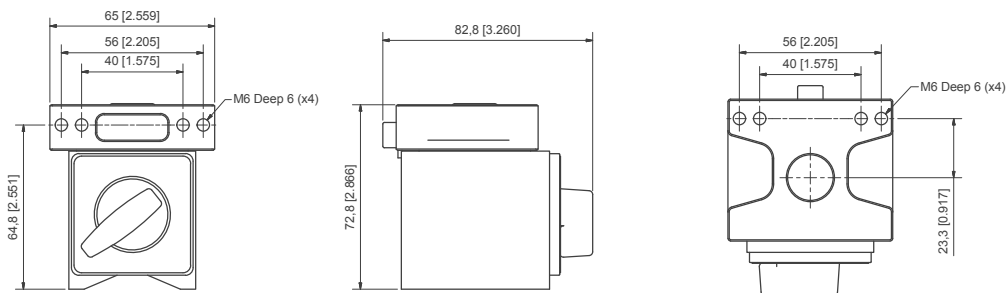


mm [inch]

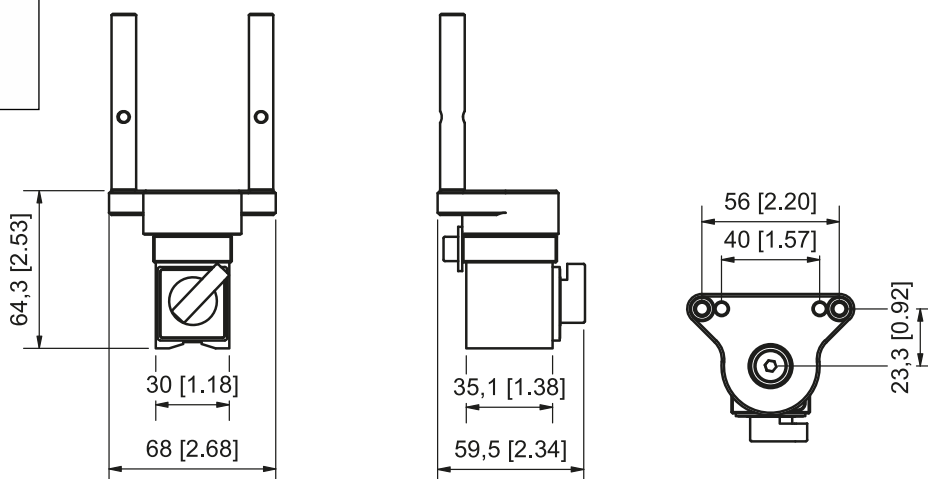
Magnet base with turnable head, Part No. 12-0045



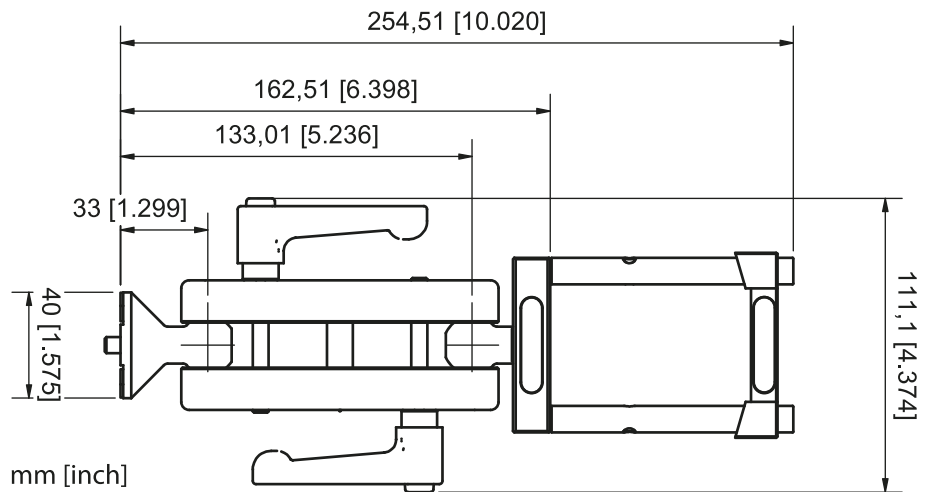
Magnet base with turnable head, Part No. 12-1133



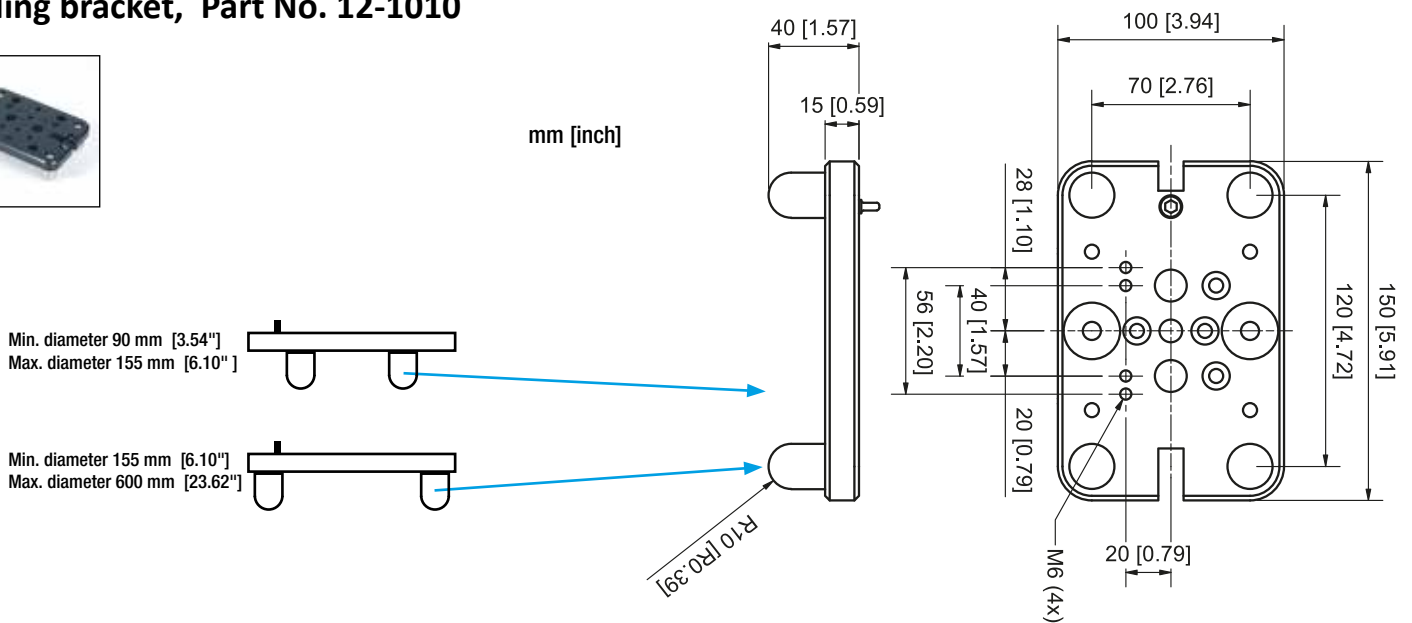
Small magnet base with turnable head, Part No. 12-0696



12-1125 DM Bracket



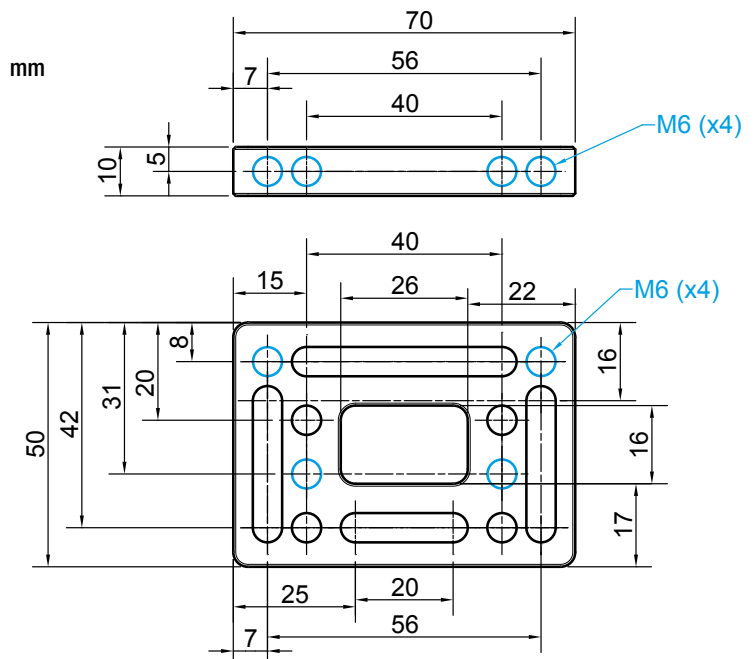
Sliding bracket, Part No. 12-1010



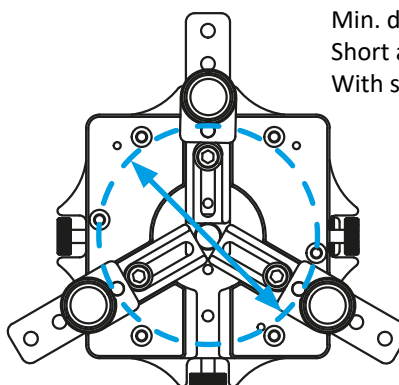
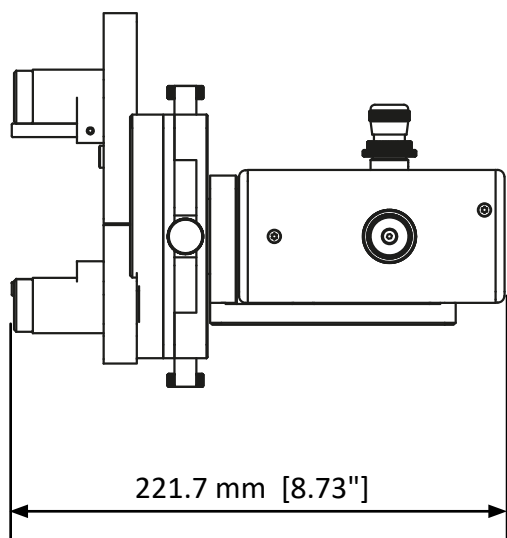
Offset bracket, Part No. 12-1008



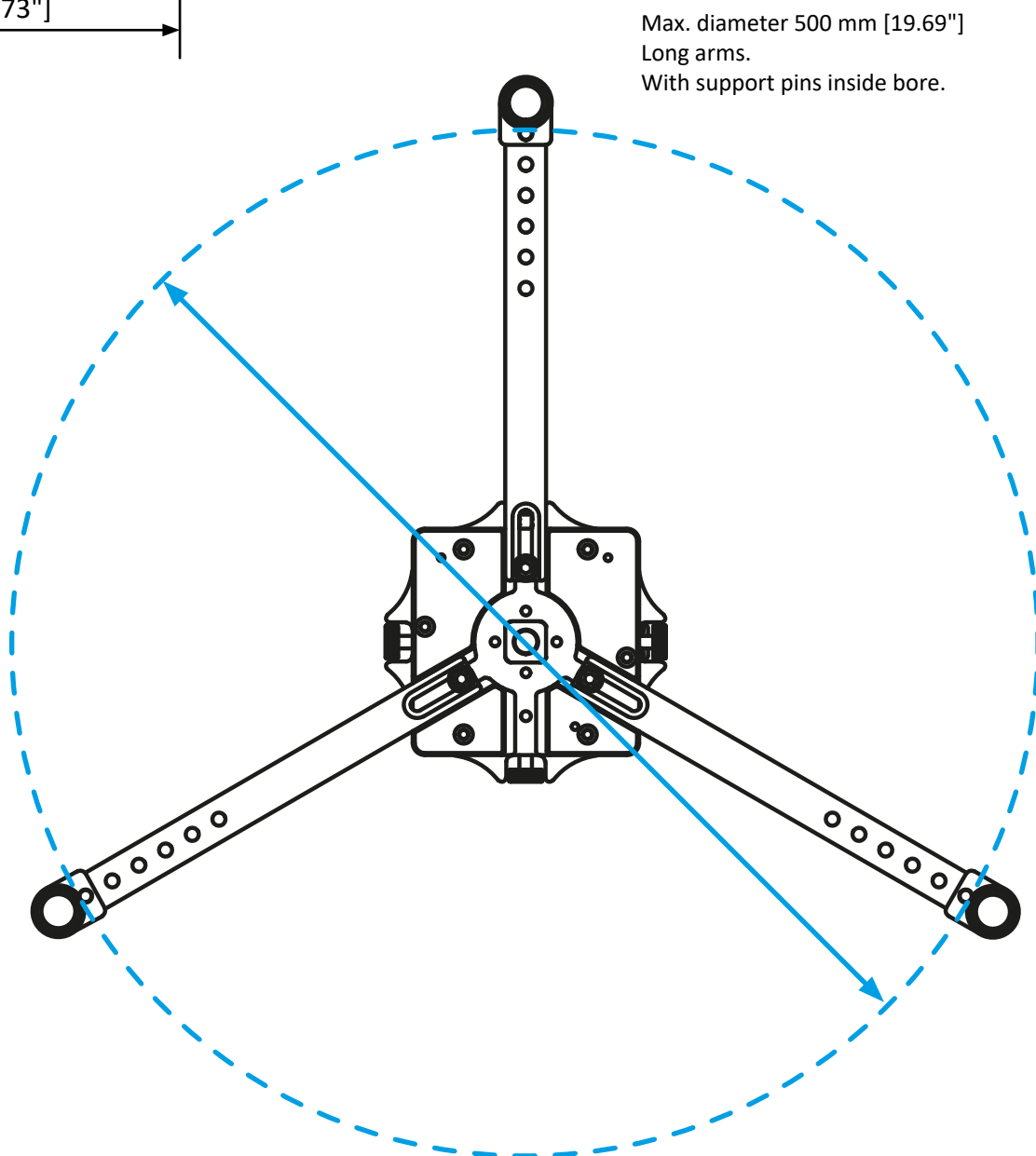
Blue circles are threaded holes.



Mounting of 12-0661

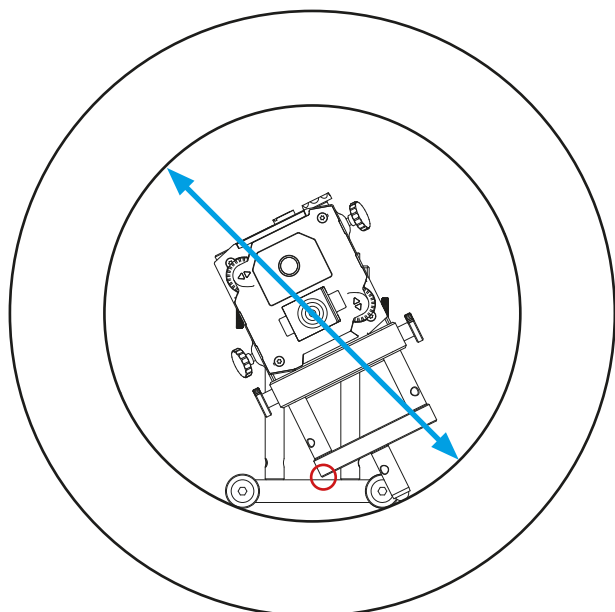


Min. diameter 100 mm [3.94"]
Short arms.
With support pins inside bore.



Max. diameter 500 mm [19.69"]
Long arms.
With support pins inside bore.

12-1277 (for XT-series)



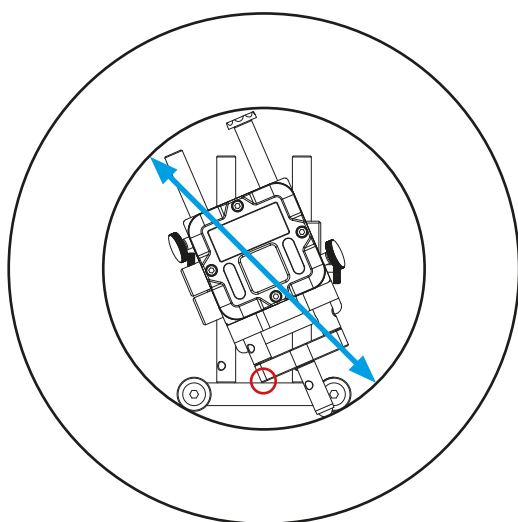
Min. diameter 220 mm [8.67"]

Note: This bracket can be assembled in many different ways, and used also with magnet base, magnetic bracket, etc. Then the minimum measurable diameters are other than specified here. Please consult your local distributor for more information.



○ =possible interference point for minimum diameters.

12-1282 (for E-series)



Min. diameter 170 mm [6.70"]

Note: This bracket can be assembled in many different ways, and used also with magnet base, magnetic bracket, etc. Then the minimum measurable diameters are other than specified here. Please consult your local distributor for more information.

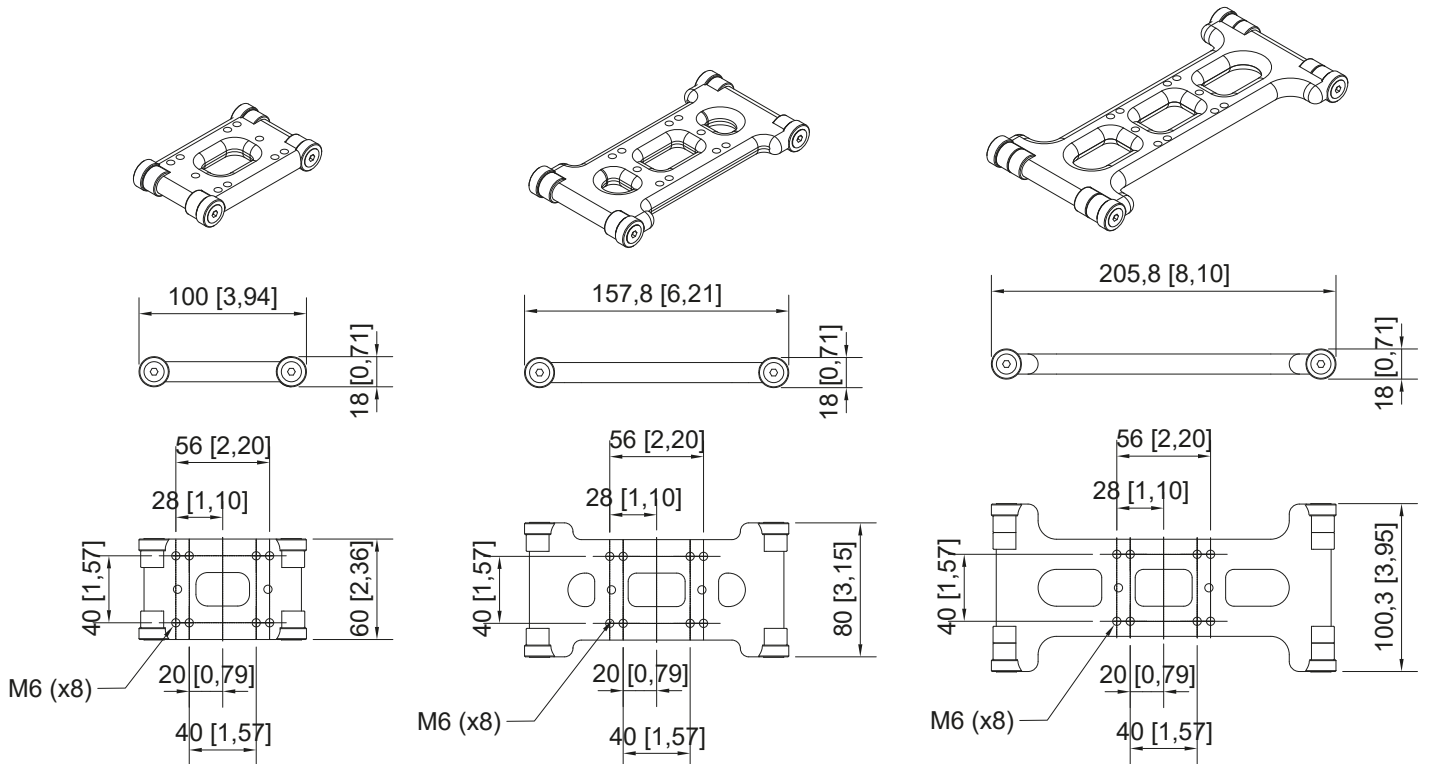


12-0455 Slide bracket Small
12-0543 Slide bracket Medium
12-0510 Slide bracket Large

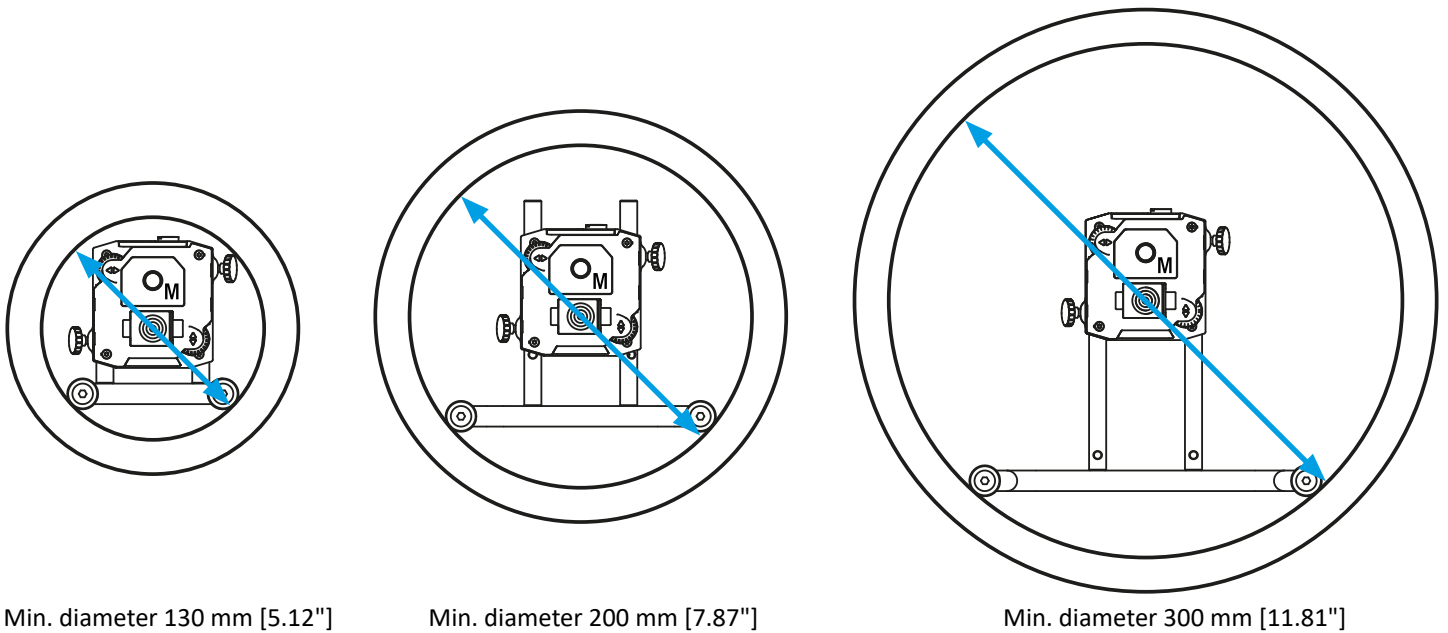
12-0455

12-0543

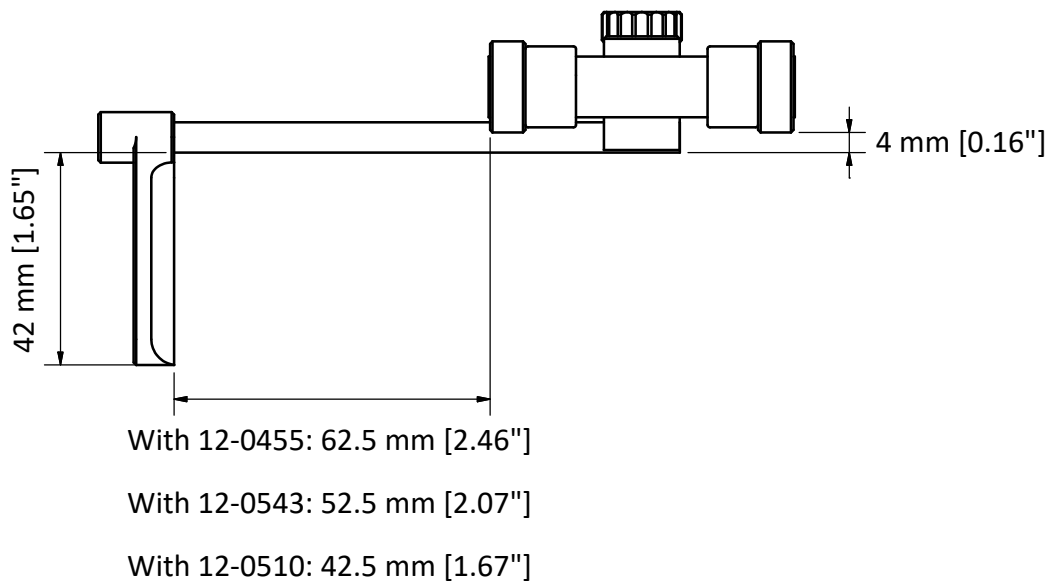
12-0510



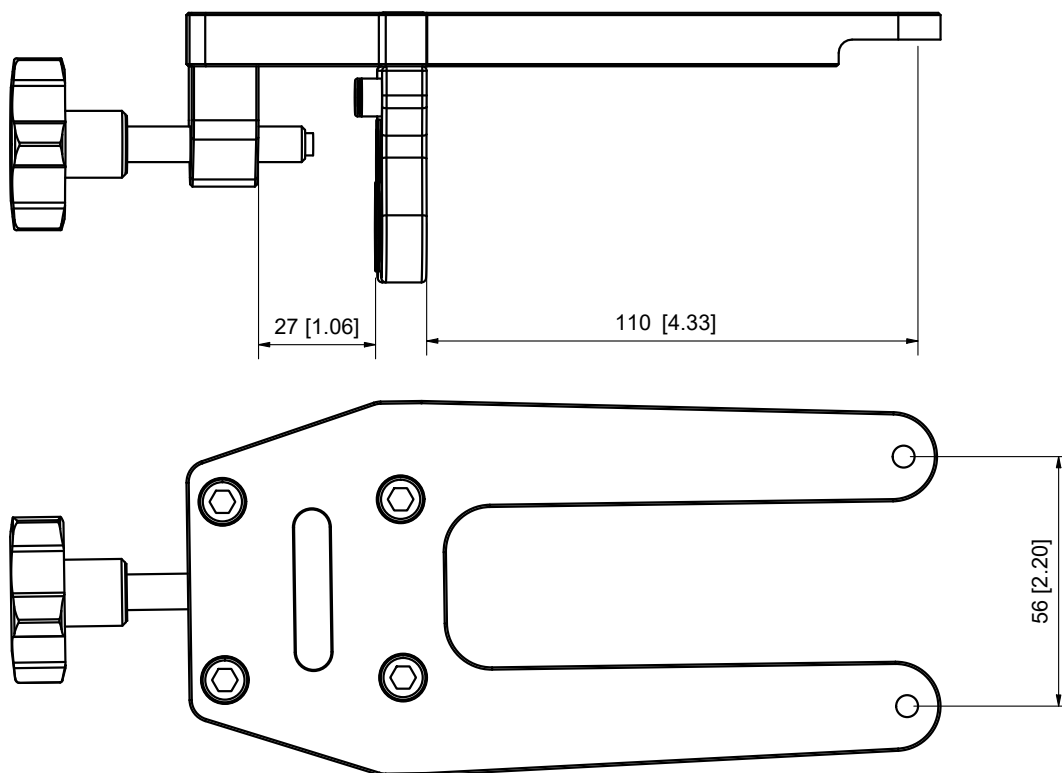
When used with XT70-M:



12-1368 Axial support on Slide brackets (12-0455 pictured)



12-1373 Flange clamping bracket

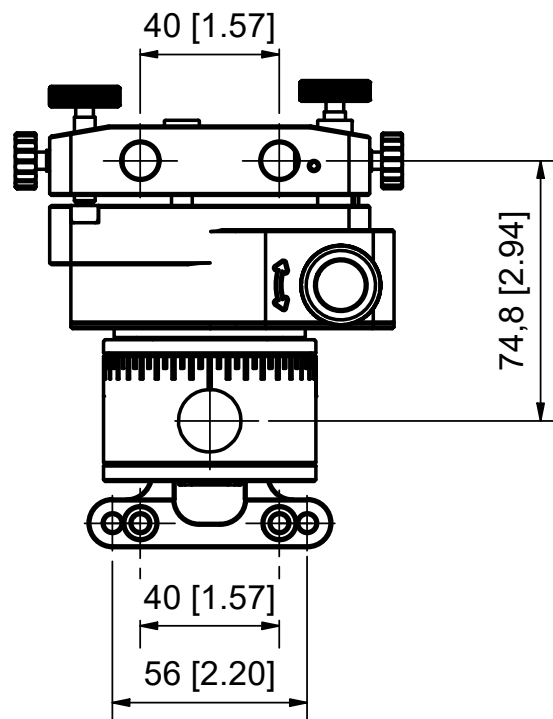
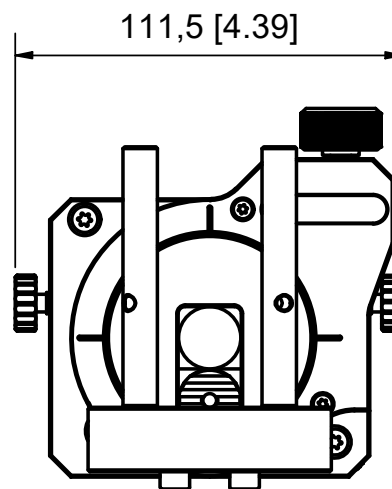
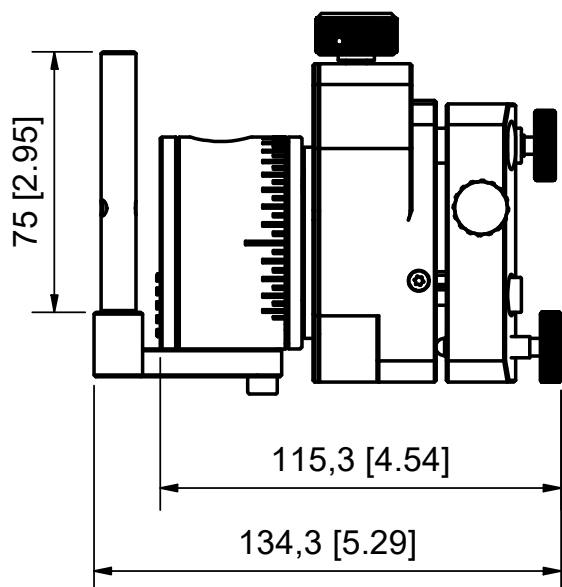


Angular prism, Part No. 12-1352




Turning range	360°
Fine turning	0.1 mm/m [20 arc sec.]
Squareness accuracy	±0.018 mm/m
Parallelism accuracy	±0.005 ±0.002/M mm/m [±0.005 ±0.007/F mils/inch] *
	* M is the measurement range in meters [m]. F is the measurement range in feet [ft].
Aperture size	18 mm [3/4"]
Housing material	Anodized aluminium
Dimensions WxHxD	112x106x134 mm [4.4x4.2x5.3"]
Weight (with detector bracket)	906 g [32 oz]

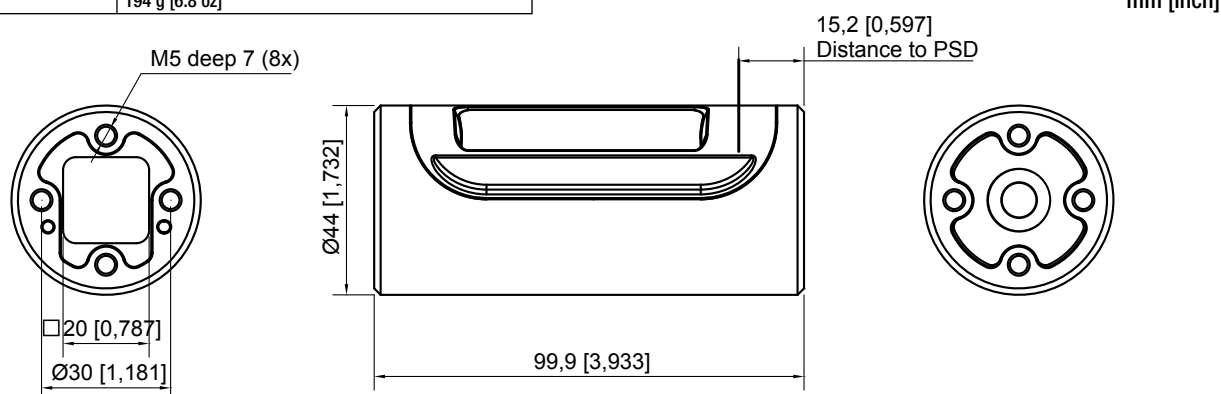
mm [inch]




Detector XT9, Part No. 12-1350

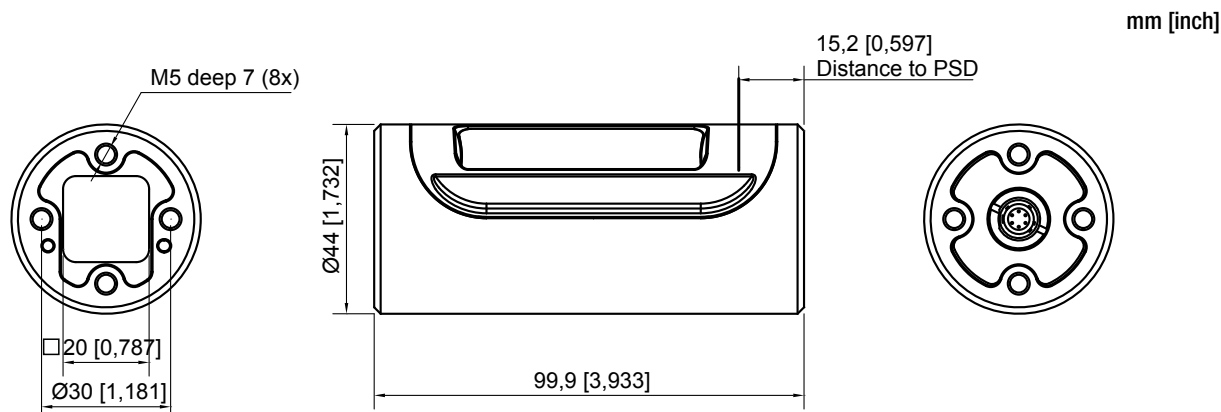
	CE
Type of detector	2 axis PSD 20x20 mm [0.78" sq]
Communication	BT wireless technology (XT)
Battery type	Heavy duty Li Ion rechargeable
Operating time	Up to 15 h continuously
Resolution	0.001 mm [0.05 mils]
Measurement accuracy	±1µm ±1%
Electronic inclinometers	0.1° resolution
Thermal sensor	± 1° C accuracy
Environmental protection	IP class 66 and 67
Operating temperature	-10–50 °C [14–122 °F]
Storage temperature	-20–50 °C [-4–122 °F]
Relative humidity	10–95%
Housing material	Anodized aluminium
Dimensions	Diameter 44 mm [1.73"], length 100 mm [3.93"]
Weight	194 g [6.8 oz]

Note: when using the XT9 detector in long tubes with small diameters (<80 mm, 3.15") wireless communication can be affected. Always consult your distributor before purchase. For normal bore alignment applications there is no problem.






Detector E9, Part No. 12-0759

	CE
Communication	BT wireless technology and cable connection (E-series)
Type of detector	2 axis PSD 20x20 mm [0.78" sq]
Resolution	0.001 mm [0.05 mils]
Measurement accuracy	±1µm ±1%
Thermal sensor	± 1° C accuracy
Environmental protection	IP class 67
Internal battery	Li Ion
Housing material	Anodized aluminium
Dimensions	Diameter 44 mm [1.73"], length 100 mm [3.93"]
Weight	180 g [6.3 oz]




Miscellaneous

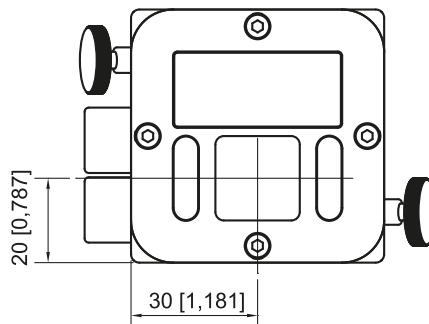
		
Wireless unit Version 1, Part No. 12-0436		
Communication	BT wireless technology	
Operating temperature	-10–50 °C [14–122 °F]	
Environmental protection	IP class 66 and 67	
Housing material	ABS	
Dimensions	WxHxD: 53x32x24 mm [2.1x1.2x0.9"]	
Weight	25 g [0.9 oz]	

		
Vibrometer probe XT280, Part No. 12-1090 (system)		
Frequency range	2 Hz to 1kHz (ISO) 1 kHz to 10 kHz (BDU)	
Max frequency resolution	1.25 Hz @ 800 lines FFT setting	
Displayed amplitude units	Acceleration in g	
	Velocity in mm/s (or inch/s)	
	Bearing noise in BDU (bearing damage units)	
Displayed Frequency Units	Hertz (Hz), RPM or CPM	
Input range	User selectable with accelerometer sensitivity	
Dynamic range	96 dB (0.01g resolution)	
VA diagnostic bands		
(RPM=run speed)	Unbalance 1x RPM	
	Alignment 2x RPM	
	Looseness 3x RPM	
Operating temperature	0°C to 50°C [32–122 °F]	
Storage temperature	-20–70 °C [-4–158 °F]	
Battery type	2 x AA batteries	
Battery operation	20 hours continuously (depending on brightness setting)	
Environmental protection	IP67	
Material	ABS plastics / Hard anodized aluminium	
Dimensions	WxHxD: 200 mm x 60mm x 26mm [7.8 x 2.4 x 1.0"]	
Weight	280 g [9.8 oz]	


Detector E7, Part No. 12-0752

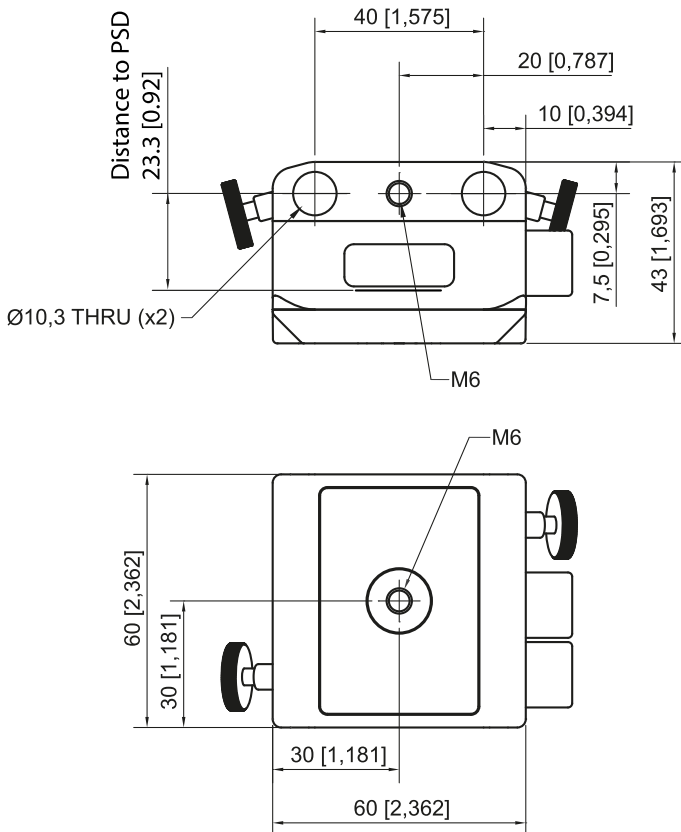
		CE
Detector E7, Part No. 12-0752		
Type of detector	2 axis PSD 20x20 mm [0.78" sq]	
Resolution	0.001 mm [0.05 mils]	
Measurement accuracy	±1µm ±1%	
Inclinometers	0.1° resolution	
Thermal sensors	± 1° C accuracy	
Environmental protection	IP Class 66 and 67	
Operating temperature	-10–50 °C [14–122 °F]	
Internal battery	Li Ion	
Housing material	Anodized aluminium	
Dimensions	WxHxD: 60x60x42 mm [2.36x2.36x1.65"]	
Weight	186 g [6.6 oz]	

mm [inch]



Detector E5, Part No. 12-0509

		CE
Detector E5, Part No. 12-0509		
Type of detector	2 axis PSD 20x20 mm [0.78" sq]	
Dual Detection Technology™	Can detect both spinning and stationary laser beam, but is optimised for spinning laser.	
Resolution	0.001 mm [0.05 mils]	
Measurement accuracy	Spin ±10µm ±1% / Stationary beam ±10µm ±2%	
Inclinometers	0.1° resolution	
Thermal sensors	± 1° C accuracy	
Environmental protection	IP Class 66 and 67	
Operating temperature	-10–50 °C [14–122 °F]	
Internal battery	Li Ion	
Housing material	Anodized aluminium	
Dimensions	WxHxD: 60x60x42 mm [2.36x2.36x1.65"]	
Weight	186 g [6.6 oz]	

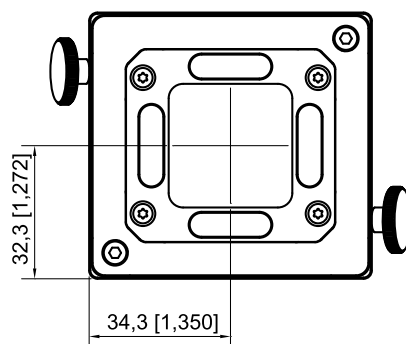
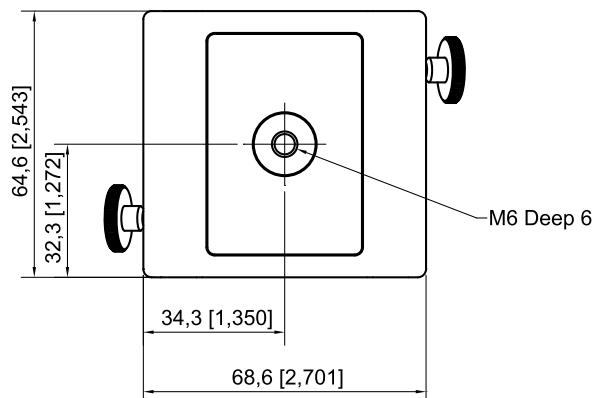
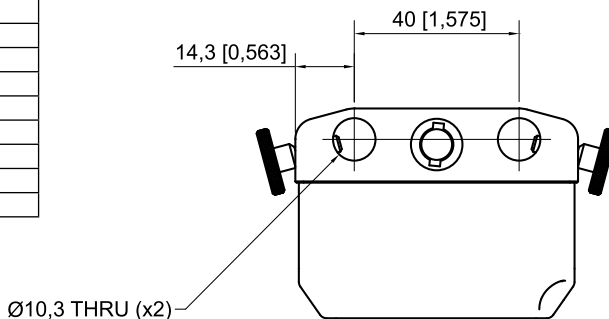


Detector E3, Part No. 12-0799

mm [inch]



Wireless communication	BT wireless technology
Type of detector	2 axis PSD 30x30 mm [1.18" sq]
Resolution	0.001 mm [0.05 mils]
Measurement accuracy	±1µm ±1%
Thermal sensor	± 1° C accuracy
Environmental protection	IP class 65
Internal battery	Li Ion
Protection	No influence from ambient light
Housing material	Anodized aluminium
Dimensions	WxHxD: 69x65x49 mm [2.7x2.6x1.9"]
Weight	262 g [9.2 oz]



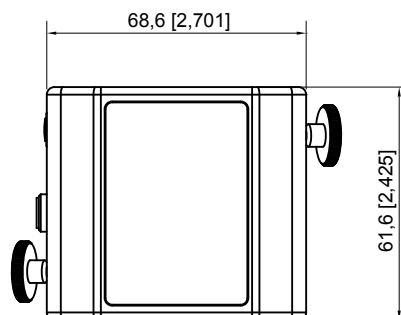
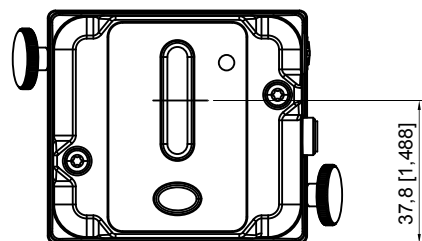
Measuring unit ELM40 / ELS40, Part No. 12-0776 / 12-0777

mm [inch]

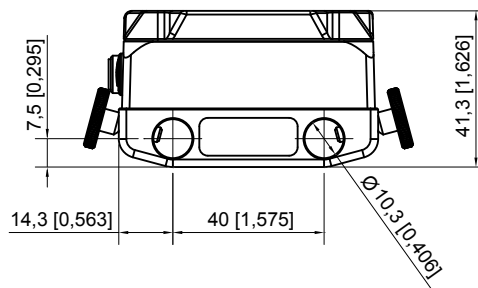


Wireless communication	BT wireless technology
Internal battery	Li Ion
Type of detector	True PSD 30 mm [1.2"]
Resolution	0.001 mm [0.05 mils]
Measurement accuracy	±5µm ±1%
Measurement range	Up to 10 m [33 feet]
Type of laser	Diode laser
Laser wavelength	630–680 nm
Laser class	Safety class 2
Laser output	AVERAGE POWER < 0.6 mW. PULSE ENERGY < 8 nJ. PULSE DURATION 4-6 µs.
Electronic inclinometer	0.1° resolution
Thermal sensors	-20–60 °C [-4–140 °F]
Environmental protection	IP class 65
Operating temperature	-10–50 °C [14–122 °F]
Housing material	Anodized aluminium / ABS plastics
Dimensions	WxHxD: 69.0x61.5x41.5 mm [2.72x2.42x1.63"]
Weight	164 g [5.8 oz]

ELM40/ELS40



ELM40/ELS40
ELM20/ELS20



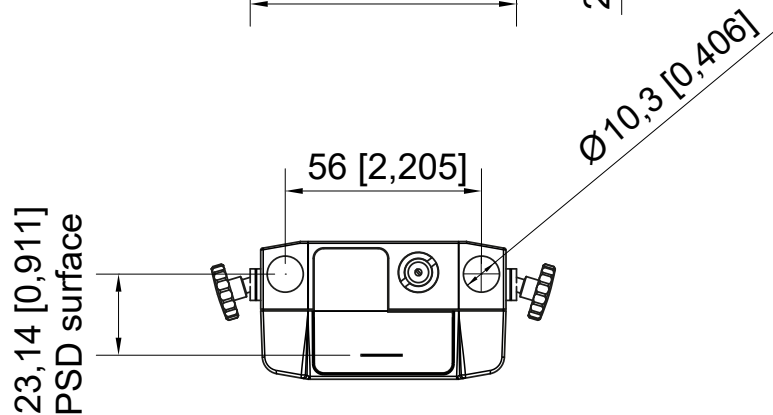
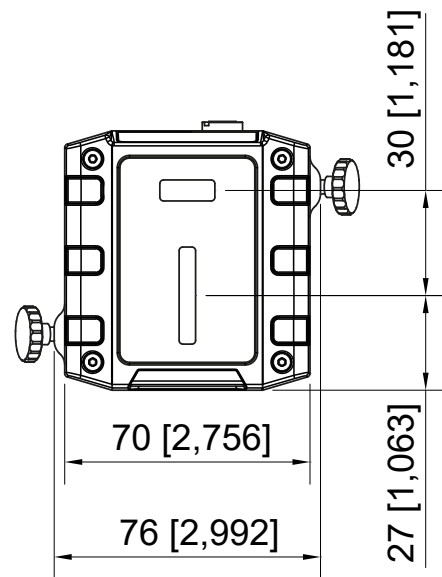
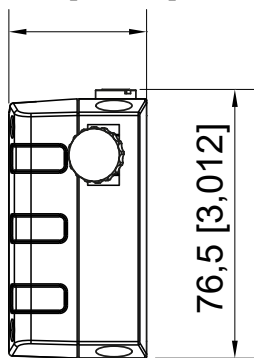
Measuring unit XT40-M, XT40-S, Part No. 12-0943 / 12-0944

mm [inch]



Measuring unit PSD 30 mm. XT40-M: Part No. 12-0943, XT40-S: Part No. 12-0944	
Type of detector	TruePSD 30 mm [1.2"]
Communication	BT wireless technology
Battery type	Heavy duty Li Ion chargeable
Operating time	Up to 24 h continuously
Resolution	0.001 mm [0.05 mils]
Measurement accuracy	±5µm ±1%
Measurement range	Up to 10 m [33 feet]
Type of laser	Diode laser
Laser wavelength	630-680 nm
Laser class	Safety class 2
Laser output	AVERAGE POWER < 0.6 mW. PULSE ENERGY < 8 nJ. PULSE DURATION 4-6 µs.
Electronic inclinometer	0.1° resolution
Environmental protection	IP class 66 and 67
Operating temperature	-10-50 °C [14-122 °F]
Storage temperature	-20-50 °C [-4-122 °F]
Relative humidity	10-95%
OLED display	128x64 pixels
Housing material	Anodized aluminium + PC/ABS + TPE
Dimensions	WxHxD: 76x76.5x39.3 mm [3.0x3.0x1.5"]
Weight	245 g [8.6 oz]

39,3 [1,547]

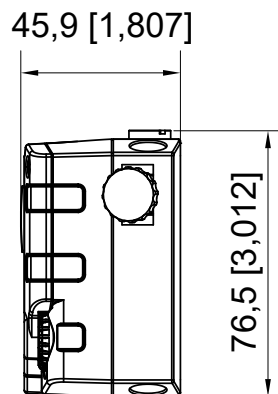


Measuring unit XT60-M, XT60-S, Part No. 12-1028 / 12-1029

mm [inch]



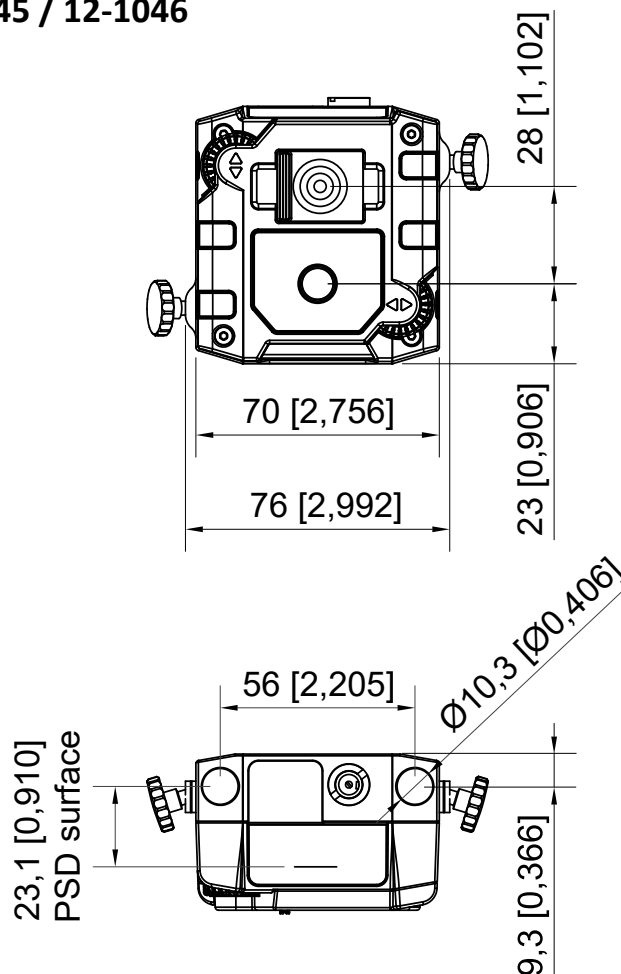
Measuring unit PSD 20x20 mm. XT60-M: Part No. 12-1028, XT60-S: Part No. 12-1029	
Type of detector	1-axis TruePSD 20x20 mm [0.79x0.79"]
Communication	BT wireless technology
Battery type	Heavy duty Li Ion chargeable
Operating time	Up to 24 h continuously
Resolution	0.001 mm [0.05 mils]
Measurement accuracy	±1µm ±1%
Measurement range	Up to 20 m [66 feet]
Type of laser	Diode laser
Laser wavelength	630-680 nm
Laser class	Safety class 2
Laser output	AVERAGE POWER < 0.6 mW. PULSE ENERGY < 20 nJ. PULSE DURATION 10-17 µs. WAVELENGTH 630-680 nm.
Electronic inclinometer	0.1° resolution
Environmental protection	IP class 66 and 67
Operating temperature	-10-50 °C [14-122 °F]
Storage temperature	-20-50 °C [-4-122 °F]
Relative humidity	10-95%
OLED display	128x64 pixels
Housing material	Anodized aluminium + PC/ABS + TPE
Dimensions	WxHxD: 76x76.5x45.9 mm [3.0x3.0x1.8"]
Weight	272 g [9.6 oz]



Measuring unit XT70-M, XT70-S, Part No. 12-1045 / 12-1046



Measuring unit PSD 20x20 mm. XT70-M: Part No. 12-1045, XT70-S: Part No. 12-1046	
Type of detector	2-axis TruePSD 20x20 mm [0.79x0.79"]
Communication	BT wireless technology
Battery type	Heavy duty Li Ion chargeable
Operating time	Up to 24 h continuously
Resolution	0.001 mm [0.05 mils]
Measurement accuracy	±1µm ±1%
Measurement range	Up to 20 m [66 feet]
Type of laser	Diode laser
Laser wavelength	630-680 nm
Laser class	Safety class 2
Laser output	AVERAGE POWER < 0.6 mW. PULSE ENERGY < 20 nJ. PULSE DURATION 10-17 µs. WAVELENGTH 630-680 nm.
Electronic inclinometer	0.1° resolution
Environmental protection	IP class 66 and 67
Operating temperature	-10-50 °C [14-122 °F]
Storage temperature	-20-50 °C [-4-122 °F]
Relative humidity	10-95%
OLED display	128x64 pixels
Housing material	Anodized aluminium + PC/ABS + TPE
Dimensions	WxHxD: 76x76.5x45.9 mm [3.0x3.0x1.8"]
Weight	272 g [9.6 oz]



Measuring unit XT50-M, XT50-S, Part No. 12-1026 / 12-1027

mm [inch]



Measuring unit PSD 20x20 mm. XT50-M: Part No. 12-1026, XT50-S: Part No. 12-1027	
Type of detector	TruePSD 1 axis 20x20 mm [0.79x0.79"]
Communication	BT wireless technology
Battery type	Heavy duty Li Ion chargeable
Operating time	Up to 20 h continuously
Resolution	0.001 mm [0.05 mils]
Measurement accuracy	±1µm ±1%
Measurement range	Up to 20 m [66 feet]
Type of laser	Diode laser
Laser wavelength	630–680 nm
Laser class	Safety class 2
Laser output	AVERAGE POWER < 0.6 mW. PULSE ENERGY < 20 nJ. PULSE DURATION 10-17 µs. WAVELENGTH 630-680 nm.
Electronic inclinometer	0.1° resolution
Environmental protection	IP class 66 and 67
Operating temperature	-10–50 °C [14–122 °F]
Storage temperature	-20–50 °C [-4–122 °F]
Relative humidity	10–95%
OLED display	128x64 pixels
Housing material	Anodized aluminium + PC/ABS + TPE
Dimensions	WxHxD: 76x76.5x50.9 mm [3.0x3.0x2.0"]
Weight	316 g [11.1 oz]

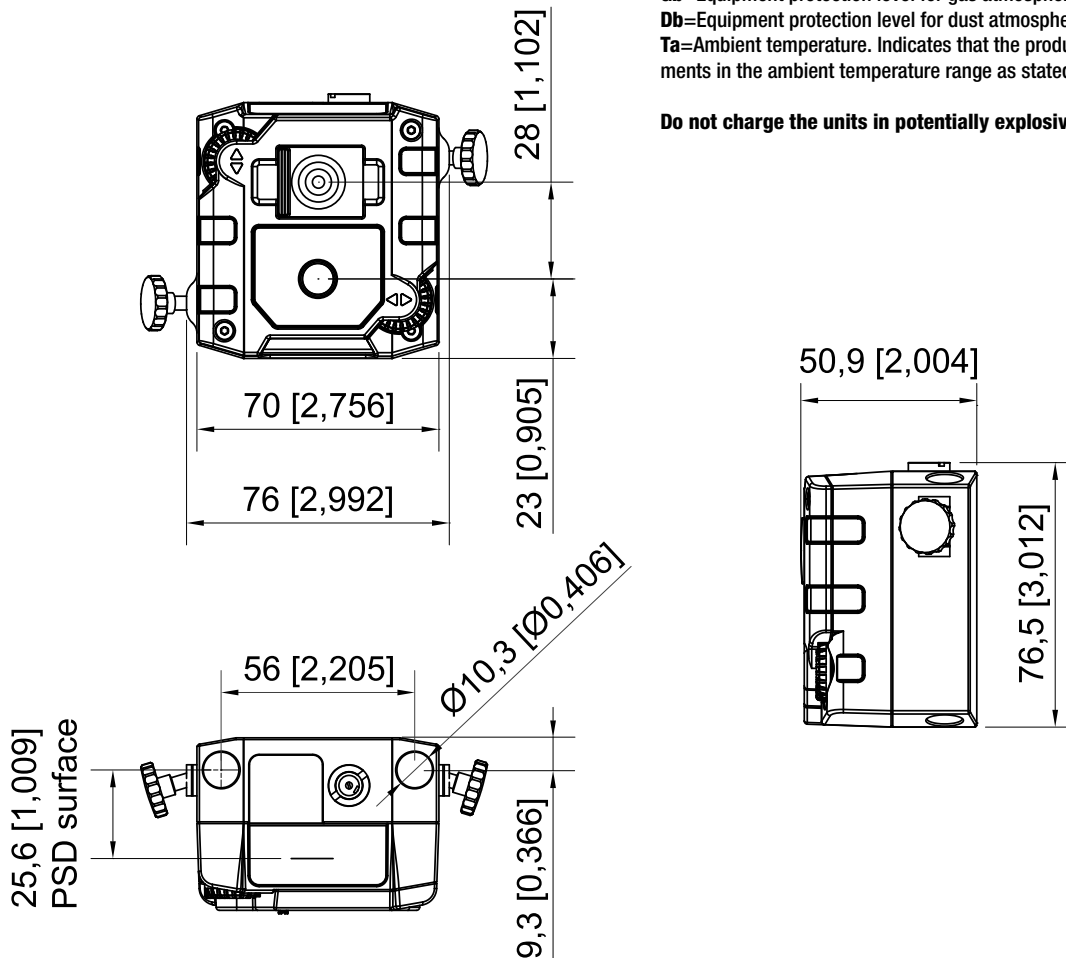
The EX rating is valid for the XT50 measuring units only, Part No. 12-1026 and 12-1027. Brackets, fixturing equipment, case, and other accessories are not subject to any EX classification, and must be assessed by the user before use in EX environment. Easy-Laser does not take responsibility for the EX safety of accessories.

EX certificate number: Presafe 17 ATEX 10552X, IECEx PRE 17.0049X

EX classification: Ⓜ II 2 G Ex ib op is IIC T4 Gb, -10°C ≤ Ta ≤ +50°C
 Ⓜ II 2 D Ex ib op is IIIC T135°C Db, -10°C ≤ Ta ≤ +50°C


III=Product group. Indicates that the instrument is approved for all areas except mines.
2G=Product category for gas atmosphere. Intrinsically safe equipment for zones 1 and 2 (likely occurrence of explosive gas atmosphere – gases, mists and vapours).
2D=Product category for dust atmosphere. Intrinsically safe equipment for zones 21 and 22 (likely occurrence of explosive dust atmosphere).
ib op is =Type of EX protection (intrinsic safety and safe laser radiation levels).
IIC=Explosion group for gas atmosphere. Example gases: Hydrogen & Acetylene.
IIIC=Dust classification. Indicates that the instrument is approved for dust from flammable fibres, non conductive dust and conductive dust.
T4=Temperature class for gas atmosphere. The temperature class indicates the maximum temperature of the exposed surface of the product, corresponding to a maximum temperature of 135°C.
T135°C= Temperature class for dust atmosphere. Indicates that the maximum temperature of the exposed surface of the product is 135°C.
Gb=Equipment protection level for gas atmosphere. Corresponds to zone 1 and 2.
Db=Equipment protection level for dust atmosphere. Corresponds to zone 21 and 22.
Ta=Ambient temperature. Indicates that the product is safe for use in EX environments in the ambient temperature range as stated only.

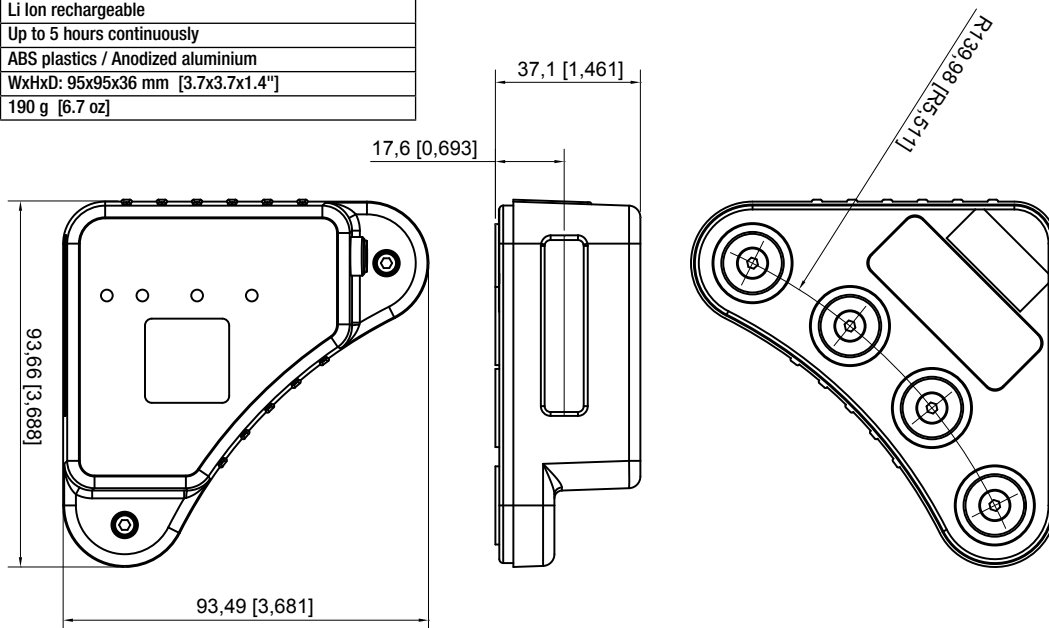
Do not charge the units in potentially explosive environment!






E- and XT-series wireless detector for BTA, Part No. 12-1054

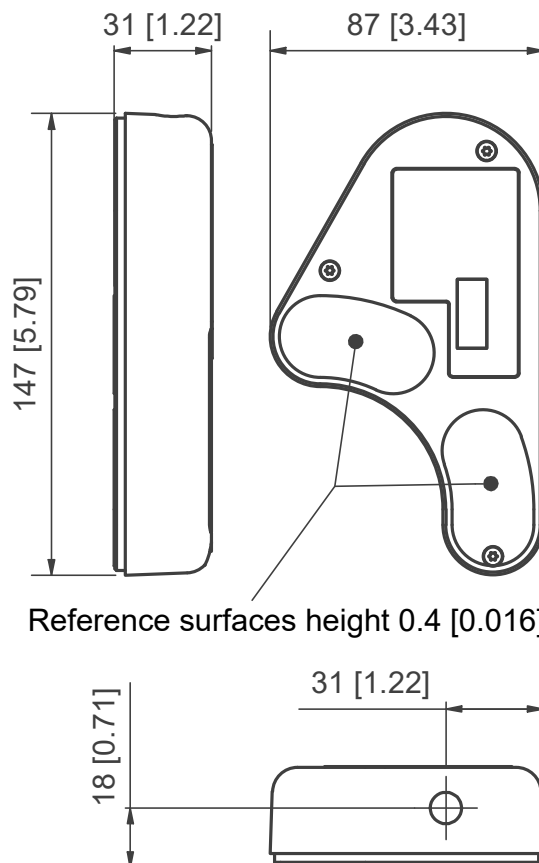
mm [inch]

	CE
Sheave diameters	>60 mm [2.5"]
Measurement distance	40 mm to 3 m [1.6" to 10'] (laser LOW power mode) 0.5 m to 10 m [20" to 33'] (laser HIGH power mode)
Measurement range	Axial offset: ±3 mm [0.12"]. Angular value: ±8°
Displayed resolution	Offset: 0.1°, Angle: 0.01°
Display type	Yellow OLED 96x96 pixels
Connection	BT wireless technology
Battery type	Li Ion rechargeable
Battery operation	Up to 5 hours continuously
Material	ABS plastics / Anodized aluminium
Dimensions	WxHxD: 95x95x36 mm [3.7x3.7x1.4"]
Weight	190 g [6.7 oz]



Laser transmitter BTA, Part No. 12-1325

	CE
	 LASER 2 
Sheave diameters	>60 mm [2.5"] and larger
Measurement distance	40 mm to 3 m [1.6" to 10'] (LOW power mode) 0.5 m to 10 m [20" to 33'] (HIGH power mode) Distances are for analogue targets and can vary depending on ambient light conditions.
Laser class	2
Output power (average)	< 0.6 mW (LOW power mode) < 4.8 mW (HIGH power mode)
Laser wavelength	630–680 nm
Beam angle	60°
Accuracy	Laser plane – Reference plane: Parallelity: < 0.05°, Offset < 0.2 mm [0.008"]
Battery type	1xR6 (AA) 1.5 V
Battery operation	Up to 12 hours continuously
Material	ABS plastics / Hard anodized aluminium
Dimensions	WxHxD: 145x86x30 mm [5.7x3.4x1.2"]
Weight	265 g [9.35 oz]



Note: New products in rev24 marked with **Bold** letters. **Discontinued products** marked with *inclined* letters.

Part No.	Description	Page		
01-0039	Locking screw.....	70	03-1203	DC cable extension 1.5 m.....xx
01-0042	Nut (for chain).....	70	03-1243	Charger for E-series Display unit.....66
01-0045	Barrel nut.....	70	03-1256	Charger for XT-series.....66
01-0048	Rod tightening tool, 4 mm.....	70	03-1291	Gauge block.....62
01-0076	Offset bracket, D-series.....xx		03-1323	Printer for D-series.....xx
01-0139	Machine/Magnet base pin for D22, short.....	60	03-1326	Stinger for XT280.....69
01-0618	Top for D23.....	70	03-1327	Accelerometer magnet for XT280.....69
01-0777	Tube adapters for E9 and D157.....	55	03-1332	Demo unit, steel.....69
01-0847	Shim remover.....xx		03-1338	Tripod head.....72
01-0938	Rod, 30 mm.....	54	03-1406	Safety strap.....68
01-1095	Key holder.....	74	03-1429	Screw driver Torx T8.....71
01-1165	Offset bracket for E-series.....	53	03-1459	Charger for E-series printer.....73
01-1333	Machine/Magnet base pin for D22, long.....	60	03-1707	Measuring tape 5 m [16.4].....68
01-1352	Sunvisor for D6.....xx		04-0053	Sticker "This machine is aligned with Easy-Laser®"..71
01-1379	Protective case for display unit E418.....	68	04-0124	Easy-Laser® logo sticker, large.....74
01-1402	Screw for safety strap.....	68	04-0125	Easy-Laser® logo sticker, small.....74
01-1703	Velcro clip with pin.....	73	04-0146	Laser target sticker.....71
01-1768	Angle bracket.....xx		04-0147	Bar code sticker.....xx
01-1866	Locking screw for XT units.....	70	04-0252	Easy-Laser® logo stickers on sheet.....xx
01-1945	LCD display protection film.....	71	04-0307	QR code sticker.....71
01-1952	Replaced by 12-1039.....xx		05-0792	Notebook for the technician.....74
01-1953	Locking screw.....	70	06-0001	CD.....xx
01-2222	Tube adapters for dual barrels.....	55	12-0001	Measuring unit M, D-series, PSD 10x10mm.....xx
01-2232	Tripod adaptor for Angular prism.....	63	12-0002	Measuring unit S, D-series, PSD 10x10mm.....xx
03-0032	Printer 220 V.....xx		12-0005	Detector D5.....xx
03-0041	Thermo paper roll.....	71	12-0012	Measuring tape, 2m [6.5'].....xx
03-0042	Protective case for older display units.....xx		12-0013	Magnet base.....49
03-0061	Screw M6x14.....	70	12-0016	V-bracket with chain.....51
03-0241	Printer cable.....	65	12-0022	Laser transmitter D22.....43
03-0341	Printer 110 V.....xx		12-0032	Detector Linebore.....xx
03-0333	PC cable.....	66	12-0033	Standard chain.....xx
03-0505	Screw for D23 top cover.....	70	12-0034	System D650 Linebore.....xx
03-0591	Padded case for BTA.....	71	12-0039	Sliding bracket.....xx
03-0592	Protective case for display unit D279.....xx		12-0045	Magnet base with turnable head.....49
03-0633	Connecting strip (with set screws).....	61	12-0046	Angular prism D46.....xx
03-0722	USB/RS232 adaptor.....	66	12-0059	Rods, 60 mm [2.36"].....54
03-0736	Case for BTA Ex.....xx		12-0060	Rods, 240 mm [9.44"].....55
03-0769	Aluminium beam, 500 mm [19.68"].....	61	12-0074	Red cable 2.0 m [78.7"].....65
03-0770	Aluminium beam, 600 mm [23.62"].....	61	12-0075	Laser transmitter D75.....43
03-0771	Aluminium beam, 1100 mm [43.31"].....	61	12-0108	Red cable, extension, 5.0m [16.4"].....65
03-0792	Plastic case for small items.....	68	12-0110	Tilt table.....59
03-0799	Protective case for display unit D336.....xx		12-0116	Measuring unit M, D-series, PSD 18x18mm, 2 axis.....xx
03-0810	Replaced by 01-1953.....	70	12-0119	Measuring unit M, D-series, PSD 18x18mm.....xx
03-0821	Replaced by 03-1243.....	66	12-0120	Measuring unit S, D-series, PSD 18x18mm.....xx
03-0822	USB A – USB B cable.....	66	12-0125	Cardan bracket set D-series.....xx
03-0824	Measuring tape, 3 m [9.8'].....	68	12-0128	Extension chain, set.....52
03-0842	Measuring tape, 5 m [16.4'].....	68	12-0130	V-bracket.....70
03-0878	Cleaning cloth.....	71	12-0132	Offset hub for D75.....xx
03-0892	Charger cable, EUR.....	66	12-0133	System D600 Machine.....xx
03-0893	Charger cable, USA.....	66	12-0134	Foot set for linebore arms.....57
03-0894	Charger cable, UK.....	66	12-0137	Sliding bracket with turnable head.....54
03-0895	Charger cable, AUS.....	66	12-0138	Sliding bracket with magnets and probe.....54
03-0901	HDMI to HDMI cable.....	66	12-0139	Target Cardan.....64
03-0902	VGA to VGA cable.....	66	12-0143	Foot set for linebore for 100–150mm.....57
03-0909	Transportation case.....	68	12-0146	Laser transmitter D146.....xx
03-0914	USB memory.....	74	12-0149	Rod bracket for laser D75.....58
03-0967	Hexagon wrench set.....	68	12-0154	Magnets for offset hub arms.....58
03-0972	LCD display protection film.....	71	12-0157	Detector D157.....xx
03-1004	Printer for E-series.....	67	12-0168	Laser transmitter D23.....43
03-1007	Carrying case for system E540 and E530.....xx		12-0169	Rotating detector bracket for rods.....49
03-1043	USB cable for streaming values.....xx		12-0179	Red cable 1.0m [39.3"].....xx
03-1044	Back pack system, medium.....xx		12-0180	Red cable, extension, 10.0 m [32.8"].....65
03-1045	Back pack system, large.....xx		12-0185	System D660 Turbine.....xx
03-1046	Luggage trolley.....xx		12-0187	Bracket for laser D75.....59
03-1059	Carrying case for system E420.....xx		12-0188	Side support for D5.....xx
03-1184	Vapor capsule.....	71	12-0189	Side support for D75.....xx
03-1193	White Vaseline.....xx		12-0193	System D630 Extruder.....xx
			12-0199	Large target extruder.....xx

12-0201	Detector D6	xx	12-0440	System E710 Shaft	xx
12-0202	Sliding table for tripod	62	12-0442	Carrying case for system E710	xx
12-0203	Parallelity kit	62	12-0443	Centering target for turbine	62
12-0205	AC adaptor for D22 and D75	xx	12-0455	Slide bracket 120mm	56
12-0207	System D505 Shaft	xx	12-0456	Transportation case Ex large	xx
12-0213	Target for BTA, 15 mm	70	12-0476	Cam shaft bracket	xx
12-0220	System D800 Spin	xx	12-0490	Short ball top probe	61
12-0224	System D670 Parallelism	xx	12-0494	Red cable 0.16m [6.3"]	xx
12-0230	Magnet base with linear digital scale	xx	12-0495	Shoulder strap for display unit E418	68
12-0231	System D525 Shaft	xx	12-0503	Bracket (Set square) for transmitter	51
12-0235	System D525 B Shaft/Geometry	xx	12-0508	Radial support for magnet base	50
12-0236	Demo unit Sheave	69	12-0509	Detector E5	45
12-0237	Transportation case cardan	67	12-0510	Slide bracket 300mm	56
12-0246	Laser transmitter D246	xx	12-0525	System E910 Flange	39
12-0248	Detector bracket Long stroke for turbine	xx	12-0526	System E915 Flange Spin	38
12-0255	Detector 30mm	xx	12-0537	Offset hub with counterlock and tilt function	57
12-0256	Measuring unit M, D-series, PSD 30x30 mm	xx	12-0538	Detector Extruder 20mm	xx
12-0258	Shims case, 180 shims	72	12-0543	Slide bracket 200mm	56
12-0259	Shims case, 360 shims	72	12-0544	Target 100x100m	63
12-0260	Measuring unit S, D-series, PSD 30x30 mm	xx	12-0552	System D640 Machine tool	xx
12-0269	Tripod	62	12-0553	Bore bracket adapter plate	57
12-0279	Display unit D279	xx	12-0568	Mounting pin for D146	xx
12-0282	Extension arms linebore	58	12-0573	VGA kit	xx
12-0283	Vibrometer probe D283	xx	12-0579	Magnet base with adapter Ex	xx
12-0289	Red cable 0.4m [15.7"]	xx	12-0580	Axial extension arms, linebore	58
12-0294	AC adaptor for D23	xx	12-0583	Pointing bracket on magnet base	50
12-0300	System D450 Shaft	xx	12-0585	Charger 12–36 V for car	xx
12-0303	Sliding bracket with magnets	54	12-0587	Sun visor for E-series	xx
12-0308	Detector/display unit for belt alignment	xx	12-0588	Target E-series	64
12-0309	Laser transmitter for sheave alignment systems	xx	12-0590	AC adaptor for display unit D279	xx
12-0310	System D150 BTA	xx	12-0592	Sun visor for Ex units	xx
12-0314	Detector arms Linebore	57	12-0594	Laser transmitter D25	43
12-0319	Extension chain	xx	12-0597	Splitter box	xx
12-0320	Rod adapter for D157	xx	12-0603	Handheld detector bracket	xx
12-0321	Cable support	65	12-0608	Magnet base with turnable head, for D157	xx
12-0324	Rods, 120 mm [4.72"] 8 pcs	55	12-0615	Cardan bracket for E-series	xx
12-0329	Magnet base bracket for linebore detector	xx	12-0617	Battery pack	xx
12-0334	Measuring unit M, Ex	xx	12-0618	Battery pack with built-in wireless unit	xx
12-0335	Measuring unit S, Ex	xx	12-0619	Barcode reader	xx
12-0336	Display unit D336 Ex	xx	12-0622	Tool kit for tilt table	59
12-0337	Shaft bracket with chain, stainless steel	53	12-0625	Standard chains	52
12-0340	System D550 Shaft Extreme™	xx	12-0628	Bracket for non-magnetic flanges, with handheld det.	xx
12-0341	Self centering bracket	60	12-0652	System D652 Linebore	xx
12-0343	Slide bracket 100mm	xx	12-0656	Vibrometer probe E285	xx
12-0360	Tool kit for system D550	xx	12-0657	Detector for belt alignment E-series	xx
12-0362	Cable tester	xx	12-0659	E170 BTA	xx
12-0363	Extension chain, stainless steel	53	12-0661	Offset hub with counterlock, for D75	57
12-0364	Offset hub with arms	xx	12-0662	System D662 Turbine	xx
12-0384	Offset hub arms	58	12-0663	System D663 Turbine	xx
12-0385	Laser transmitter bracket turbine	58	12-0664	System D664 Turbine	xx
12-0386	Chain, stainless steel	70	12-0676	System E950-A	32
12-0390	Laser transmitter for sheave alignment Ex	xx	12-0677	System E950-B	33
12-0394	Target for BTA, 18 mm	70	12-0695	System E530 Shaft	xx
12-0400	System D130 BTA Ex	xx	12-0696	Small magnet base with turnable head	56
12-0402	Target Ex cardan	64	12-0697	Measuring unit ELS 30	xx
12-0403	Detector for belt alignment D-series	xx	12-0698	Measuring unit ELM 30	xx
12-0404	Display unit for sheave/pulley alignment	xx	12-0700	Display unit E52	72
12-0411	System D160 BTA	xx	12-0702	Detector E4	xx
12-0412	Replaced by 12-1012	52	12-0706	Laser transmitter D25 with offset hub	44
12-0413	Replaced by 12-1147	xx	12-0707	Arm kit with magnets	58
12-0415	System D90 BTA	xx	12-0709	Measuring unit holder for Angular prism	xx
12-0416	Demo unit Shaft	69	12-0710	System E960-A	29
12-0417	Height adjustment bracket for detector D6	xx	12-0711	System E960-B	30
12-0418	Display unit E51 (formerly E418)	42	12-0715	Detector bracket "Long stroke" Turbine	61
12-0422	System D480 Shaft	xx	12-0725	Splitter cable for charging	65
12-0423	Measuring unit M, D-series, PSD 10x10mm, Incl.	xx	12-0727	System E980 Sawmill	27
12-0424	Measuring unit S, D-series, PSD 10x10mm, Incl.	xx	12-0728	Splitter cable for charging two 12-0738	65
12-0433	Measuring unit S, E-series, PSD 20x20mm	xx	12-0735	Red cable with angled connector	xx
12-0434	Measuring unit M, E-series, PSD 20x20mm	xx	12-0738	BT wireless unit with battery	xx
12-0436	BT wireless unit	64	12-0739	BT wireless units kit for E530	xx
12-0438	Detector bracket Short stroke for turbine	60	12-0740	Batterypack with wireless unit, Kit	xx
12-0439	Ball top probe	61	12-0742	Tilt table with magnet base	xx

12-0743	Shim case 3.....	72	12-0990	Adjustable magnet for offset hub arms	58
12-0745	System E420 Shaft.....	xx	12-0992	Replaced by 12-1017.....	51
12-0746	Measuring unit ELM 20	xx	12-1008	Offset bracket	53
12-0747	Measuring unit ELS 20	xx	12-1010	Sliding bracket	54
12-0748	Display unit E53.....	xx	12-1011	Replaced by 12-1147.....	xx
12-0750	Replaced by 12-0989.....	65	12-1012	Thin chain bracket.....	52
12-0751	DC to USB adapter	65	12-1017	Magnetic brackets and rods, kit.....	51
12-0752	Detector E7.....	45	12-1018	Angular adapter for detector, 90°.....	xx
12-0755	Shim case 4.....	xx	12-1019	Titanium rods, set of 3.....	xx
12-0758	Detector E8, 1-axis PSD	xx	12-1020	Carrying case Large for system E540	67
12-0759	Detector E9, 2-axis PSD	45	12-1025	Carrying case Small for system E540	xx
12-0761	System E940 Machine tool	xx	12-1026	Measuring unit XT50-M Ex/ATEX	47
12-0762	"Red cable", extension 0.5 m [1.6']	xx	12-1027	Measuring unit XT50-S Ex/ATEX.....	47
12-0767	Rod adapter with built-in target.....	56	12-1028	Measuring unit XT60-M.....	47
12-0768	Slide bracket, width 25 mm [0.99"].....	56	12-1029	Measuring unit XT60-S.....	47
12-0771	System E920 Geometric	37	12-1031	System XT550 Ex/ATEX without Display unit.....	16
12-0772	System E950-C.....	34	12-1038	Extension chain stainless steel, set.....	52
12-0775	System E540-B.....	xx	12-1039	Pin for hub.....	xx
12-0776	Measuring unit ELM 40	xx	12-1040	V-bracket with stainless steel chain and rods	52
12-0777	Measuring unit ELS 40	xx	12-1043	System E540-A.....	xx
12-0787	Spindle bracket for measuring unit	xx	12-1045	Measuring unit XT70-M.....	47
12-0788	System E930 Extruder	36	12-1046	Measuring unit XT70-S.....	47
12-0789	Measuring unit ESH, HyperPSD™.....	xx	12-1047	Measuring probe, cylindrical	62
12-0790	Measuring unit EMH, HyperPSD™.....	xx	12-1048	Measuring probe, cylindrical, with magnet.....	xx
12-0791	E-series wireless detector for belt alignment.....	xx	12-1049	Carrying case L for system XT440/XT660/XT770.....	xx
12-0794	Target E-series 20x20	64	12-1051	System XT660 with Display unit, case M.....	xx
12-0796	System E180 BTA.....	xx	12-1052	System XT660 with Display unit, case L.....	xx
12-0797	System Vestas 4.....	xx	12-1053	System XT190 BTA.....	22
12-0799	Detector E3.....	45	12-1054	Detector unit for system XT190 BTA	45
12-0801	Measuring probe Ruby diameter 2.5mm	61	12-1058	System XT660 without Display unit, case M.....	15
12-0804	Transportation case for BTA systems	68	12-1059	System XT660 without Display unit, case L.....	xx
12-0805	Measuring probe Ruby diameter 5mm	61	12-1060	Extension chain, set for E- and XT-series	52
12-0810	Large target extruder	64	12-1064	Laser transmitter D26.....	xx
12-0814	Tube bracket.....	61	12-1086	ECOM Tab Display unit.....	xx
12-0815	Adapter bracket for rod distance 40 mm.....	xx	12-1090	XT280 Vibrometer, complete set.....	25
12-0823	Laser transmitter E30 Long Range.....	44	12-1092	Small magnet base.....	xx
12-0824	Detector E7H, HyperPSD™.....	xx	12-1095	System XT770 with Display unit	xx
12-0825	System Vestas 3	xx	12-1096	System XT770 without Display unit.....	14
12-0828	Offset hub with counterlock and tilt function.....	57	12-1097	System XT550 Ex/ATEX with Display unit	xx
12-0840	VGA kit, for serial number 94177 and newer.....	67	12-1113	GA1 system+brackets for coupling assembled.....	xx
12-0845	Detector E2.....	xx	12-1114	GA1 brackets for coupling removed	19
12-0846	Digital Precision Level E290	46	12-1118	System Easy-Laser® GA1	xx
12-0849	Roll bracket.....	xx	12-1123	Extension for set square 12-1087, 295 mm	50
12-0850	System E180 without laser transmitter 12-0309.....	xx	12-1124	Extension for set square 12-1087, 430 mm	50
12-0853	System E970 Parallelism	28	12-1125	DM-bracket.....	53
12-0854	System E975 Roll Alignment	xx	12-1027	System XT770, with GEO Kit, with Display unit.....	xx
12-0855	Upgrade kit Long stroke.....	xx	12-1128	System XT770 Shaft + GEO, with XT20	12
12-0856	Roll alignment kit.....	xx	12-1129	Extension for DM-bracket.....	53
12-0857	Digital Precision Level, complete kit.....	46	12-1130	DM-bracket, complete set.....	53
12-0858	Laser transmitter E30 Long Range, with tilt table.....	44	12-1132	Carrying case large for XT770, with XT20/XT22.....	67
12-0864	Tilt table, turnable	59	12-1133	Magnet base with turnable top.....	49
12-0874	Adapter plate for tilt table to magnet base.....	59	12-1136	Angular prism	xx
12-0885	Large roll kit.....	xx	12-1142	Vestas 6 wind shaft system.....	20
12-0901	Extension kit for large diameters.....	55	12-1143	Vestas 5 wind shaft system.....	20
12-0915	Safety strap	xx	12-1147	Magnetic bracket	51
12-0937	Height adjustment bracket for detector	xx	12-1151	Cardan bracket set	54
12-0943	Measuring unit XT40-M.....	47	12-1161	Rods, 75 mm [2.95"], 4 pcs	55
12-0944	Measuring unit XT40-S.....	47	12-1183	Vestas Installation kit upgrade	20
12-0949	Replaced by 12-1118.....	xx	12-1188	Target (small hole), for Angular prism alignment..	63
12-0954	System E950-D Bore alignment	35	12-1196	ECOM Tab-Ex 02 Display unit.....	xx
12-0955	System E720 Shaft/Geo.....	xx	12-1200	Sliding table for magnet base.....	63
12-0961	XT11 Display unit for Generation XT	xx	12-1205	Sun visor for XT40.....	xx
12-0963	Shaft bracket with chain and rods.....	47	12-1209	Rotating detector bracket for rods, E and XT	49
12-0966	System XT440 without Display unit.....	12	12-1210	Magnet bracket long, with turnable head	50
12-0967	System XT440 with Display unit XT11	xx	12-1211	Magnet bracket short, with turnable head	50
12-0968	IR Camera added to XT11	xx	12-1221	Angular prism, kit.....	xx
12-0972	Carrying case Small for system XT440	xx	12-1225	AC adaptor for D23	xx
12-0973	Carrying case Medium for system XT440/XT660.....	67	12-1239	Carrying case Small for system XT440	xx
12-0985	Camera removed from XT11	xx	12-1244	System XT290 Digital precision level	24
12-0987	Rods, 120 mm [4.72"], 4 pcs	55	12-1261	Target (large hole), for Angular prism alignment ..	63
12-0988	Bar bracket.....	xx	12-1262	Detector bracket for centering on wire position.....	50
12-0989	DC split cable for charging.....	65	12-1270	Extruder bracket for fluted barrels.....	xx

12-1272	XT20 Laser transmitter	43
12-1273	XT22 Laser transmitter	43
12-1275	Multi-bracket XT laser.....	59
12-1277	Bracket with rotatable bore probe, XT	60
12-1279	Extruder cardan joint	72
12-1280	Extruder bracket handle	73
12-1281	Charger for XT550/XT50.....	66
12-1282	Bracket with rotatable bore probe, E-series	60
12-1284	Vestas 5.5 - Mechanical bracket Kit	20
12-1290	Case for laser transmitters XT20/XT22	67
12-1291	XT12 Display unit	42
12-1292	XT12 Display unit with IR camera	42
12-1293	XT20 Kit in case.....	43
12-1294	XT22 Kit in case.....	43
12-1296	<i>XT980 Sawmill system with Display unit</i>	<i>xx</i>
12-1300	Mounting screws for XT transmitters.....	73
12-1320	XT Laser transmitter upgrade Kit with XT20	69
12-1321	XT Laser transmitter upgrade Kit with XT22	69
12-1325	BTA Laser transmitter with 2 power modes	44
12-1327	ecom TabEx 03	42
12-1332	System D92 BTA	23
12-1334	System XT770 Shaft + GEO, with XT22	12
12-1335	System XT980 without display unit	26
12-1336	<i>Wireless unit (Version 2, ESP32-MINI-1)</i>	<i>xx</i>
12-1346	Tube adapters with metal points	55
12-1350	Detector XT9	45
12-1351	Rod adapter with built-in target, C-C 56 mm.....	56
12-1352	Angular prism Mk2	62
12-1354	Bore bracket kit, with D75	13
12-1355	Bore Upgrade kit, with XT9	13
12-1356	System XT950 Bore alignment, with D75	31
12-1366	Shaft bracket with chain and rods 75 mm.....	51
12-1362	Removal of camera on XT12	42
12-1363	Angular prism Mk2, kit for D22.....	63
13-1368	Side support for slide bracket.....	56
12-1373	Flange clamping bracket	51
12-1376	Angular prism Mk2, kit for XT22	63
12-1378	Bracket accessory kit in box	49
12-1379	Target for XT22.....	63
12-1389	System XT660 Shaft SG1	18
12-1393	System XT660 Shaft WMB	19
13-0004	Cap	74
13-0006	Pen	74
13-0007	Playing cards	74
13-0012	<i>A5 Notes</i>	<i>xx</i>
13-0013	Keychain with spirit level.....	74

Note: New products in rev24 marked with **Bold** letters.
Discontinued products marked with *inclined* letters.

Easy-Laser® is manufactured by Easy-Laser AB, Alfagatan 6, SE-431 49 Mölndal, Sweden
Tel +46 31 708 63 00, Fax +46 31 708 63 50, e-mail: info@easylaser.com, www.easylaser.com
© 2024 Easy-Laser AB. We reserve the right to make changes without prior notification.
Easy-Laser® and Easy-Laser PLUS are a registered trademarks of Easy-Laser AB. Android, Google Play, and the Google Play logo are trademarks of Google Inc. Apple, the Apple logo, iPhone, and iPod touch are trademarks of Apple Inc., registered in the U.S. and other countries. App Store is a service mark of Apple Inc. Other trademarks belong to their respective owners.



LASER
2



ISO
9001
CERTIFIED
COMPANY

3
YEAR
WARRANTY

